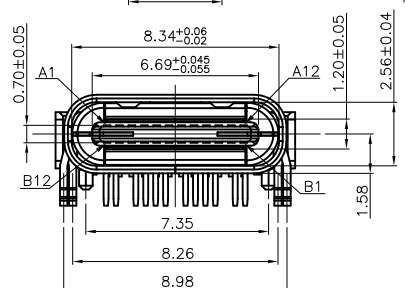
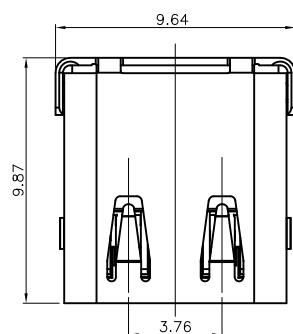
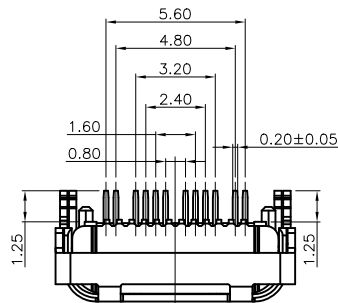
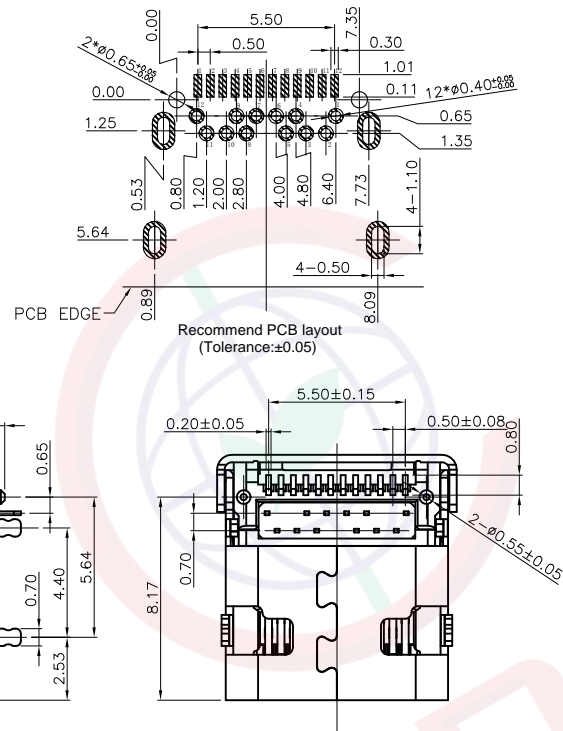


Dept	
Qty	
DC	1
ED	1
IE	1
ISO	1
PD	1
R&D	1
SD	1
QA	1
QC	1
QE	1

The information provided herein is from CONNELY Electronic Co., Ltd. and is confidential. Any disclosure to a party other than the recipient is prohibited. The intellectual properties and its rights contained herein, including but not limited to, trademarks, patents, copyrights, trade secrets, and technical know-how, are owned exclusively by CONNELY or its affiliates. Unauthorized use or reproduction of any part of this document without the prior written permission of CONNELY may result in legal action. CONNELY may enforce its intellectual property rights at its own discretion, failures or delays to exercise such rights does not constitute a waiver of such rights.



(Series Image-Reference Only)



PIN	SIGNAL NAME	PIN	SIGNAL NAME
A1	GND	B12	GND
A2	TX1+	B11	RX1+
A3	TX1-	B10	RX1-
A4	VBUS	B9	VBUS
A5	CC1	B8	SBU2
A6	D+	B7	D-
A7	D-	B6	D+
A8	SBU1	B5	CC2
A9	VBUS	B4	VBUS
A10	RX2-	B3	TX2-
A11	RX2+	B2	TX2+
A12	GND	B1	GND

REV.	DESCRIPTION	DRAWN	CHECKED	APPROVED
A	NEW RELEASE	JLZ 01/19/21'		

- NOTE:
- Material specification:
 - Housing: High temperature resistant plastic, UL94 V-0.
 - Contacts: Copper alloy
 - Shell: Stainless steel
 - Electrical performance:
 - Current rating: 3.0A (For VBUS)
Voltage rating: 5.0V
 - LLCR:
 - Vbus & Gnd pins and other pins: 40mΩ/Pin Max.
Shield: 50mΩ/Max.
LLCR Max. Change of all pins: 10mΩ.
 - Insulation resistance: 100MΩ Min
 - Dielectric withstand voltage, AC 100V for 1 minute.
 - Environmental performance:
 - Operating temperature: -25°C~+85°C.
 - Ir reflow:
 - The peak temperature on the board shall be maintained for 10 seconds at 260°C.
 - Product number code:

DS1144-33 - X X X X X X X 0

- Packing Type
R: Tape On Reel
- Shell Plating
N: Full Nickel
- Housing color
B: Black
- Contact Plating
0: Selective gold flash
4: Selective 3u" gold
- Mounting type
S: SMT type
- Connector type
F: Female
- No. of contacts
24: 24pin

GENERAL TOLERANCE		ANGLE TOLERANCE		PROJECTION	TITLE
X.	±0.60	X.	±5°		USB Type-C 24P Female Horizontal SMT Type L=9.6mm Centre-H=1.71mm
.X	±0.38	.X	±3°	UNITS	mm
.XX	±0.25	.XX	±2°	SHEET SIZE	A4
DRAWING TYPE				CUSTOMER	SHEET
SCALE				1:1	1 OF 1
DRAWING NO.				C-DS1144-33-XXXXXX-A	SERIES
				DS1144-33 SERIES	

晨翔电子有限公司
CONNFLY CONNFLY ELECTRONIC CO. LTD