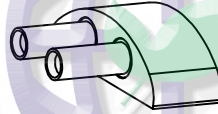
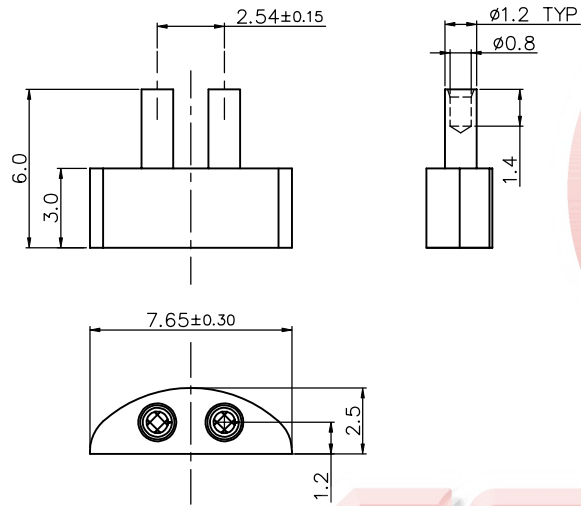


Female



3D View

REV.	DESCRIPTION	DRAWN	CHECKED	APPROVED
A	NEW RELEASE	Kevin 10/20/15'		

NOTES:

1. Materials:

Insulator: PBT Colour: White or Black, UL94 V-0.  
Rated, RoHS, REACH compliance.

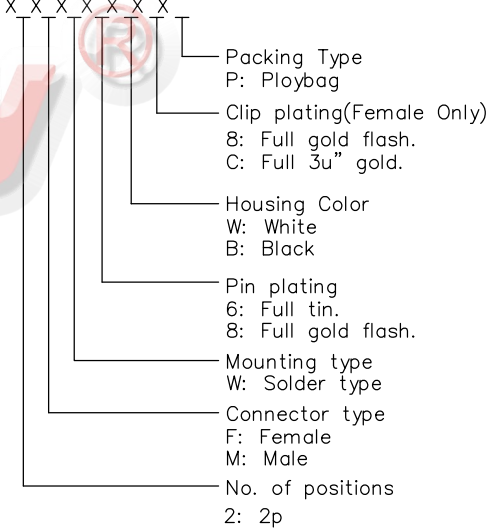
1.2. Contact: Copper Alloy, Plating Tin or Gold .

2. Specifications:

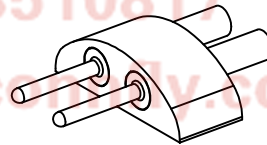
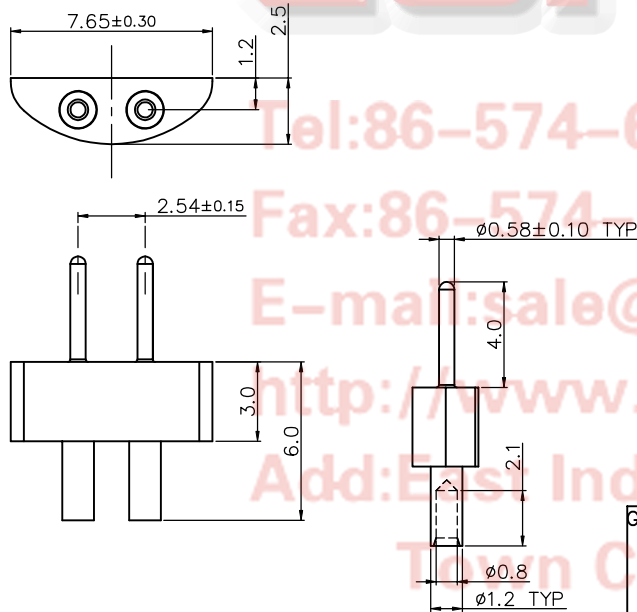
- 2.1. Contact Resistance: 20mΩ maximum.
- 2.2. Dielectric Withstanding Voltage: 1000V AC 1 minute.
- 2.3. Insulation Resistance: 1000MΩ minimum.
- 2.4. Temperature Range: -40°C~+105°C.
- 2.5. Durability: 1000 cycles min.
- 2.6. Application wire range: AWG26~24

3. Product Number Code:

DS1137-21 - X X X X X X X



Male



3D View

Tel: 86-574-63508787

Fax: 86-574-63510817

E-mail: sale@connfly.com

http://www.connfly.com

Add: East Industry Zone KuangYan


Town Cixi Ningbo Ch

P.C: 315333

GENERAL TOLERANCE		ANGLE TOLERANCE	
X.	±0.60	X.	±5°
.X	±0.38	.X	±3°
.XX	±0.25	.XX	±2°

PROJECTION	TITLE
UNITS	2.54mm LED Series Plug & Socket
SHEET SIZE	Solder Type Connector
	SERIES DS1137-21 SERIES

DRAWING TYPE	CUSTOMER
SCALE	1:1 SHEET 1 OF 1
DRAWING NO.	C-DS1137-21-XXXXXXX-A

 晨翔电子有限公司  
CONNFLY CONNFLY ELECTRONIC CO. LTD