

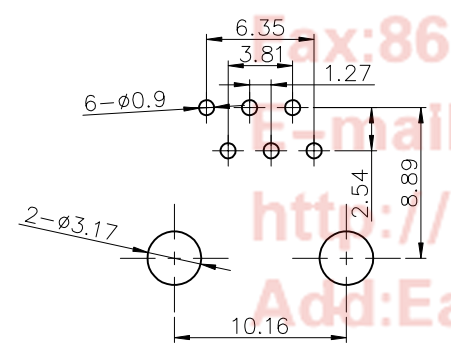
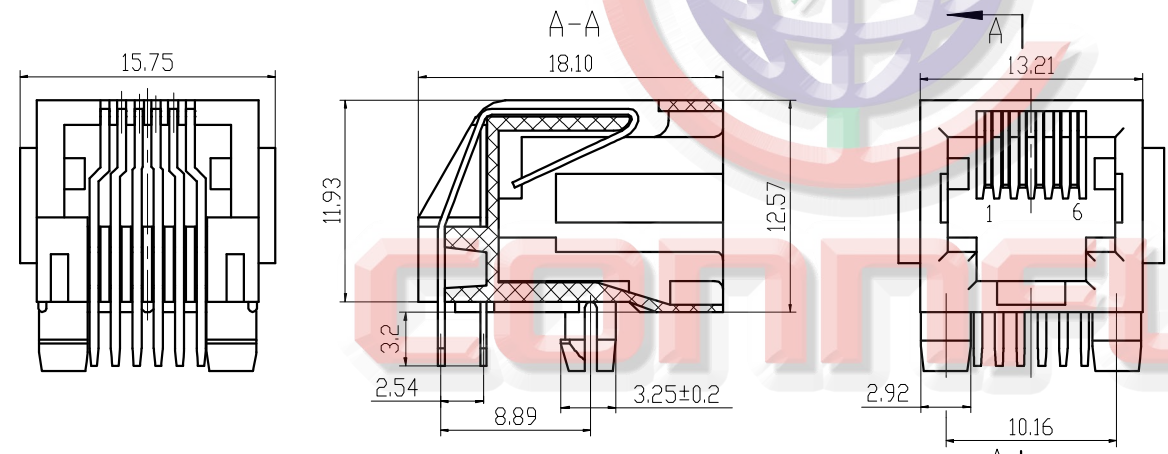
REV.	DESCRIPTION	DRAWN	CHECKED	APPROVED
A	NEW RELEASE	JLZ 03/27/17'		

SPECIFICATION

1. Insulation Resistance: 1000MΩ Min.
2. Withstand Voltage: 500V AC/Minute.
3. Durability: 600 Mating Cycles Min.
4. Product Number Code:

DS1133-10-X X X X X X

- Ear Support
S: W/ Ear
- Housing Materials
P: PBT
N: NYLON
- Contact Plating
0: Selective gold flash
3: 3u" Gold
6: 6u" Gold
15: 15u" Gold
30: 30u" Gold
- Housing Color
B: Black
- No. Of Contacts
6: 6P6C
- Connector Type
S: Socket
- Series No.
DS1133-10



RECOMMEND PCB LAYOUT
TOLERANCE=±0.05mm

Tel: 86-574-63508787
 Fax: 86-574-63510817
 E-mail: sale@connfly.com
 http://www.connfly.com
 Add: East Industry Zone KuangYan
 Town Cixilingoo Ch...

GENERAL TOLERANCE		ANGLE TOLERANCE	
X.	±0.60	X.	±5°
.X	±0.38	.X	±3°
.XX	±0.25	.XX	±2°

DRAWING TYPE	CUSTOMER
SCALE	1:1 SHEET 1 OF 1
DRAWING NO.	C-DS1133-10-XXXXXX-A

PROJECTION	TITLE	PCB JACK 6P	
	mm		
SHEET SIZE	A4	SERIES	DS1133-10 SERIES

晨翔电子有限公司
CONNFLY CONNFLY ELECTRONIC CO. LTD