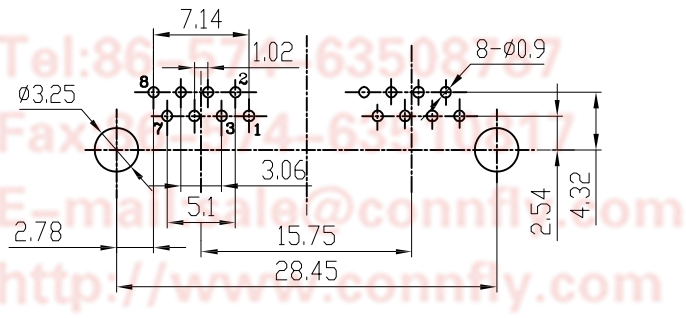
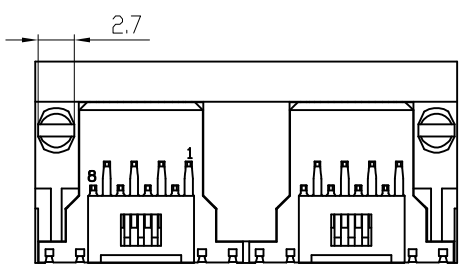
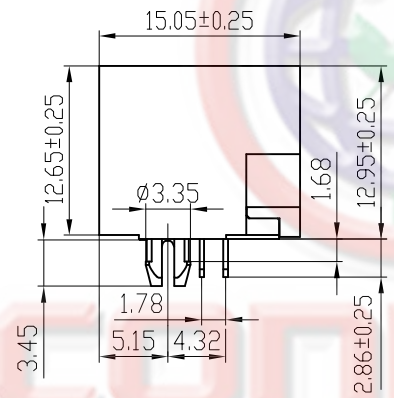
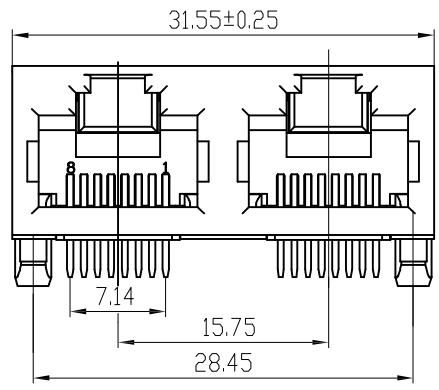


REV.	DESCRIPTION	DRAWN	CHECKED	APPROVED
A	NEW RELEASE	JLZ 08/17/17'		

NOTES:

- ELECTRICAL CHARACTERISTICS:
 - CONTACT RESISTANCE: 20mΩ Max.
 - DIELECTRIC WITHSTANDING VOLTAGE: 500V AC(rms) FOR 1 MINUTE.
 - INSULATION RESISTANCE: 1000MΩ Min.
 - CURRENT RATING:1.5A.
 - VOLTAGE RATING:125V AC RMS.
- ENVIRONMENT CHARACTERISTICS:
 - TEMPERATURE: -40°C~+85°C.
- MATERIALS
 - CONTACT MATERIAL: COPPER ALLOY.
 - CONTACT PLATING:SELECTIVE GOLD FLASH.
 - INSULATOR MATERIALS: PBT,BLACK,UL94-V0.
- PRODUCT NUMBER CODE:
DS1129-10-X X X X X

- Housing Materials
P:PBT
- Contact Plating
0:Selective gold flash
- Housing Color
B:Black
- No.Of Contacts
8:8p8c
- Connector Type
S:Socket



Tel:86-574-6350817
 Fax:86-574-6350817
 E-mail:connfly@connfly.com
 http://www.connfly.com
 Add:East Industry Zone KuangYan
 Town Cixi Ningbo China
 P.C:315333

PC BOARD LAYOUT
 THICKNESS=1.6MM

GENERAL TOLERANCE		ANGLE TOLERANCE		PROJECTION		TITLE	PCB JACK 8P 1*2 PORT W/O SHELL				
X.	±0.60	X.	±5'	UNITS	mm	SHEET SIZE	A4				
.X	±0.38	.X	±3'	SHEET SIZE	A4	SERIES	DS1129-10 SERIES				
.XX	±0.25	.XX	±2'								
DRAWING TYPE		CUSTOMER			晨翔电子有限公司 CONNFLY CONNFLY ELECTRONIC CO. LTD						
SCALE		1:1	SHEET							1 OF 1	
DRAWING NO.		C-DS1129-10-XXXXX-A									