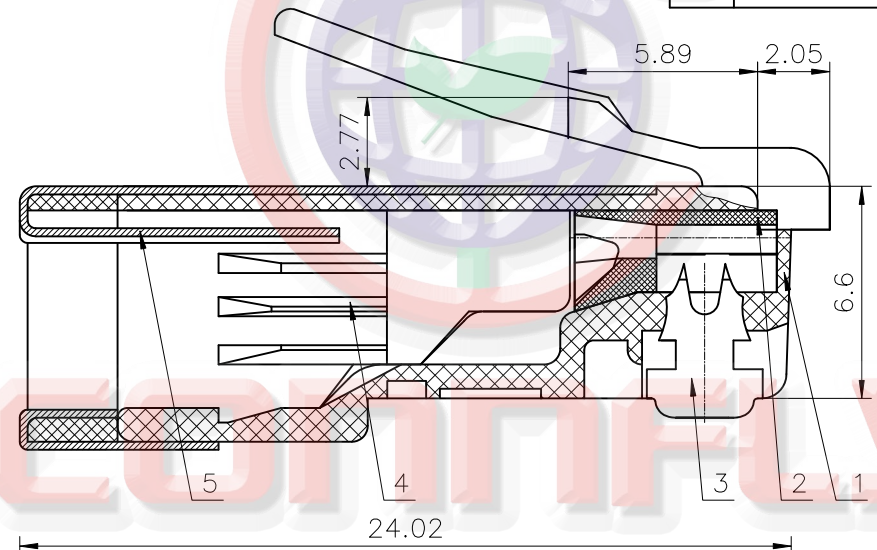
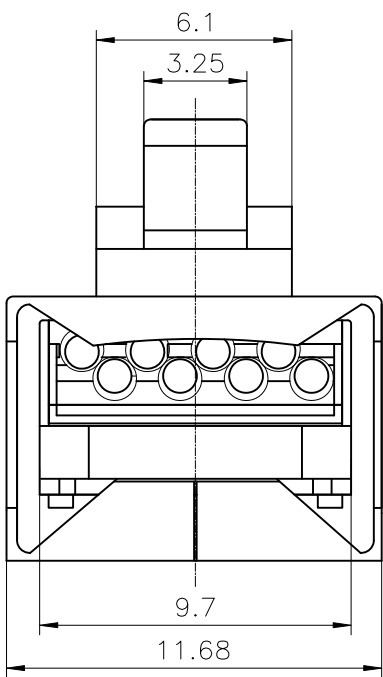


REV.	DESCRIPTION	DRAWN	CHECKED	APPROVED
A	NEW RELEASE	YCH 08/23/07'	~	



SPECIFICATION

1. Insulation Resistance:1000MΩ Min.
2. Withstand Voltage:500V AC/Minute.
3. Durability:600 Cycles Min.
4. Contact resistance:50mΩ max.
5. Product Number Code:

DS1123-20 - X X X X

- Housing Color  
T:Transparent
- Contact Plating  
0:Gold Flash 15:15u''Au  
3:3u''Au 30:30u''Au  
6:6u''Au
- No.Of Contacts  
8:8p8c
- Connector Type  
P:Plug
- Series No.  
DS1123-20


Tel:86-574-63508781  
 Fax:86-574-6351081  
 E-mail:sale@connfly.com  
 http://www.connfly.com  
 Add:East Industry Zone KuangYan  
 Ningbo Cixi Ningbo China  
 P.C:315333

(5)	SHELL	1	Copper alloy	NICKEL PLATING
(4)	INSERT	1	PC	UL94 V-0 OR 94 V-2
(3)	BLADE	8	Copper alloy	GOLD PLATING
(2)	COVER	1	PC	UL94 V-0 OR 94 V-2
(1)	HOUSING	1	PC	UL94 V-0 OR 94 V-2
No.	PART NAME	Q'TY	MATERIAL	REMARK

GENERAL TOLERANCE		ANGLE TOLERANCE	
X.	±0.60	X.	±5°
.X	±0.38	.X	±3°
.XX	±0.25	.XX	±2°

DRAWING TYPE	CUSTOMER		
SCALE	1:1	SHEET	1 OF 1
DRAWING NO.	C-DS1123-20-XXXX		

PROJECTION	TITLE
UNITS	PLUG 8P8C WITH INSERT COVER & SHELL TYPE
SHEET SIZE	SERIES DS1123-20 SERIES

 晨翔电子有限公司  
**CONNFLY CONNFLY ELECTRONIC CO. LTD**