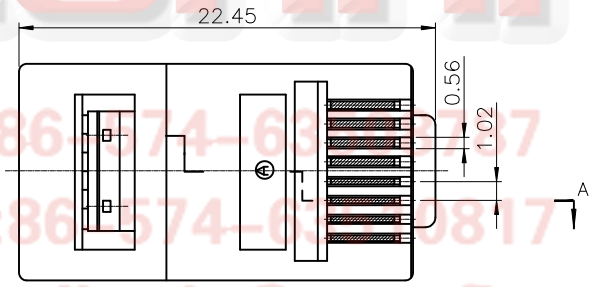
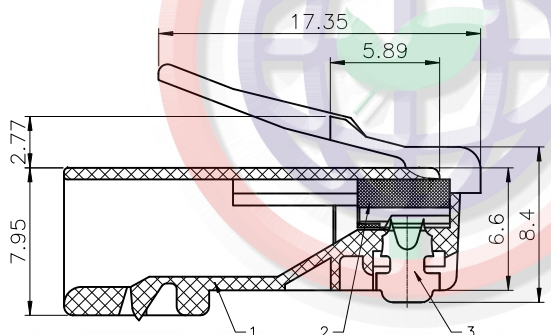
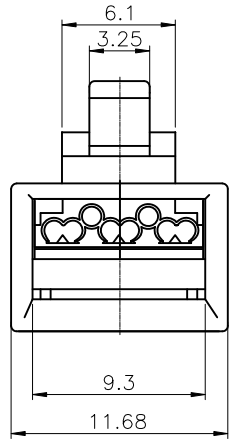


REV.	DESCRIPTION	DRAWN	CHECKED	APPROVED
A	NEW RELEASE	YCH 08/23/07'	~	LJC 08/23/07'
B	DRAWING UPDATE	JLZ 09/07/17'	~	

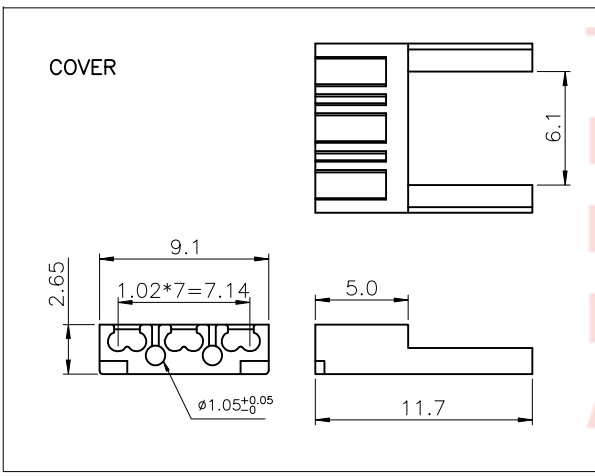


SPECIFICATION

1. Insulation Resistance:1000MΩ Min.
2. Withstand Voltage:500V AC/Minute.
3. Durability:600 Cycles Min.
4. Contact resistance:50mΩ max.
5. Product Number Code:

DS1123-11 - X X X X

- Housing Color
T:Transparent
- Contact Plating
0:Gold Flash 15:15u''Au
3:3u''Au 30:30u''Au
6:6u''Au
- No.Of Contacts
8:8p8c
- Connector Type
P:Plug
- Series No.
DS1123-11




Tel:86-574-6381737
 Fax:86-574-6381737
 E-mail:sale@connfly.com
 http://www.connfly.com
 Add:East Industry Zone KuangYan
 Town Cixi Ningbo China

No.	PART NAME	Q'TY	MATERIAL	REMARK
(3)	BLADE	8	Copper alloy	GOLD PLATING
(2)	COVER	1	PC	UL94 V-0 OR 94 V-2
(1)	HOUSING	1	PC	UL94 V-0 OR 94 V-2

GENERAL TOLERANCE		ANGLE TOLERANCE	
X.	±0.60	X.	±5°
.X	±0.38	.X	±3°
.XX	±0.25	.XX	±2°

DRAWING TYPE	CUSTOMER
SCALE	1:1
DRAWING NO.	C-DS1123-11-XXXX-B

PROJECTION	TITLE
UNITS	PLUG 8P8C(UPPER 2 & LOWER 6) WITH COVER
SHEET SIZE	SERIES DS1123-11 SERIES

 晨翔电子有限公司
CONNFLY CONNFLY ELECTRONIC CO. LTD