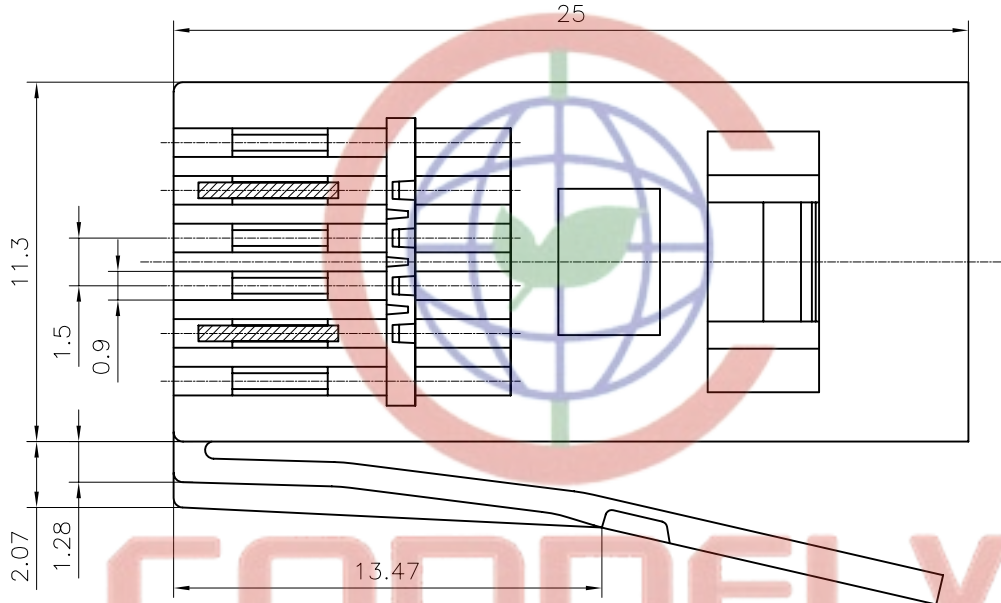


REV.	DESCRIPTION	DRAWN	CHECKED	APPROVED
A	NEW RELEASE	YCH 08/23/07'		

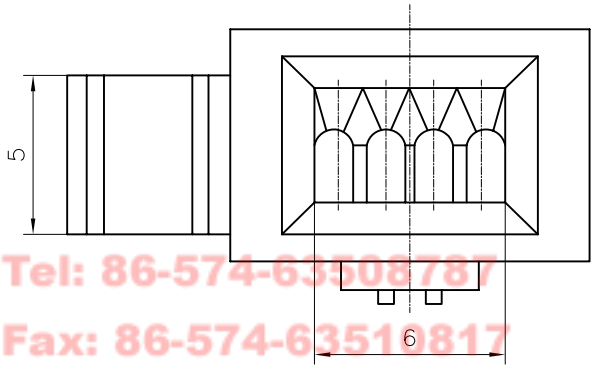
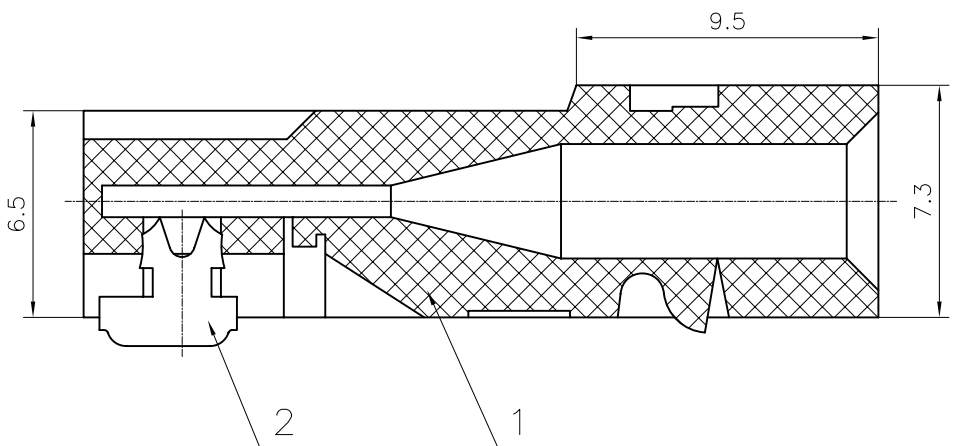


SPECIFICATION

1. Insulation Resistance:1000MΩ Min.
2. Withstand Voltage:500V AC/Minute.
3. Durability:600 Cycles Min.
4. Contact resistance:50mΩ max.
5. Product Number Code:

DS1122-10 - X X X X

- Housing Color  
W:White
- Contact Plating  
0:Gold Flash 15:15u''Au  
3:3u''Au 30:30u''Au  
6:6u''Au
- No.Of Contacts  
2:6p2c
- Connector Type  
P:Plug
- Series No.  
DS1122-10



Tel: 86-574-63508787  
Fax: 86-574-63510817

No.	PART NAME	Q'TY	MATERIAL	REMARK
(2)	BLADE	2	Copper alloy	GOLD PLATING
(1)	HOUSING	1	Thermoplastic	UL94 V-0 OR 94 V-2

GENERAL TOLERANCE		ANGLE TOLERANCE	
X.	±0.60	X.	±5'
.X	±0.38	.X	±3'
.XX	±0.25	.XX	±2'

DRAWING TYPE	CUSTOMER		
SCALE	1:1	SHEET	1 OF 1
DRAWING NO.	C-DS1122-10-XXXX		

PROJECTION	TITLE
	Plug 6P2C
UNITS	mm
SHEET SIZE	A4
SERIES	DS1122-10 SERIES

晨翔电子有限公司  
CONNFLY CONNFLY ELECTRONIC CO. LTD