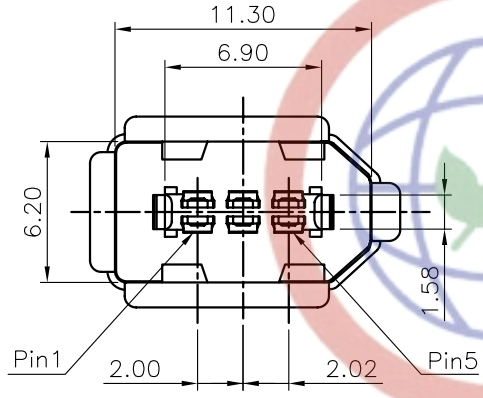


REV.	DESCRIPTION	DRAWN	CHECKED	APPROVED
A	NEW RELEASE	LJH 05/09/05'		



NOTES:

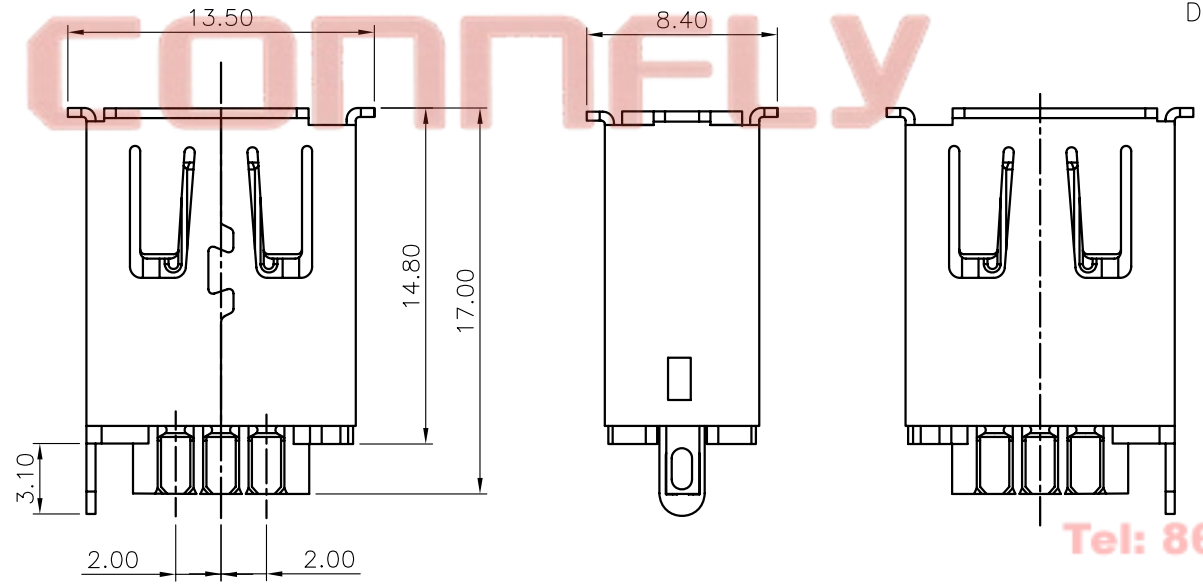
1. SPECIFICATIONS

- Contact Resistance: 50mΩ max
- Insulator Resistance: 100MΩ min.
- Current Rating: 1.5A per pin max.
- Rated Voltage: 30V DC
- Dielectric withstanding voltage: AC 100V For 1 minute
- Contact: Copper Alloy
- Housing: Thermoplastic(UL 94V-0)

2. PRODUCT NUMBER CODE:

DS1113 - X X X

- Contact plating
  - 0: Selective gold flash
  - C: Selective 3u" gold
- Shell plating
  - N: Nickel
  - 6: Tin
- Color of housing
  - B: Black



Tel: 86-574-63508787

Fax: 86-574-63510817

GENERAL TOLERANCE		ANGLE TOLERANCE		PROJECTION		TITLE
X.	±0.60	X.	±5°	UNITS	mm	IEEE 1394 6PIN FEMALE SOLDER TYPE
.X	±0.38	.X	±3°	SHEET SIZE	A4	SERIES DS1113 SERIES
.XX	±0.25	.XX	±2°			
DRAWING TYPE		CUSTOMER				
SCALE		1:1	SHEET 1 OF 1			
DRAWING NO.		C-DS1113-XXX				

晨翔电子有限公司  
**CONNFLY CONNFLY ELECTRONIC CO. LTD**