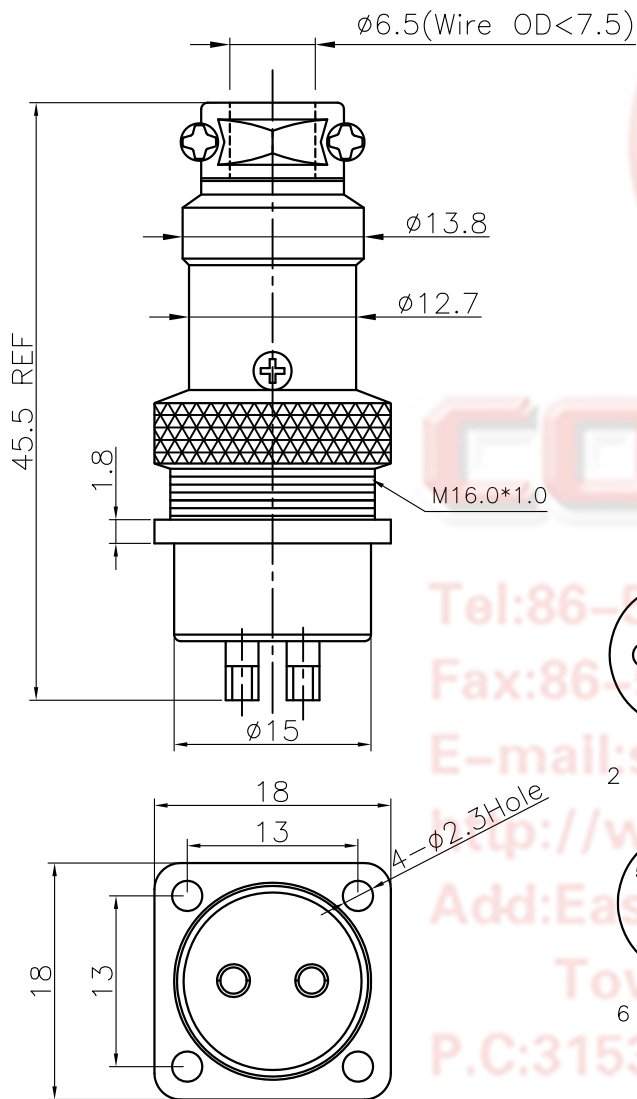


Dept Qty
 DC 1
 ED 1
 IE 1
 ISO 1
 PD 1
 R&D 1
 SD 1
 QA 1
 QC 1
 QF 1

The information provided herein is from CONNELY Electronic Co., Ltd. and is confidential. Any disclosure to a party other than the recipient is prohibited. The intellectual properties and its rights contained herein, including but not limited to, trademarks, patents, copyrights, trade secrets, and technical know-how, are owned exclusively by CONNELY or its affiliates. Unauthorized use of any part of this information in any format or manner. CONNELY may enforce its intellectual property rights at its own discretion; failures or delays to exercise such rights does not constitute a waiver of such rights.

REV.	DESCRIPTION	DRAWN	CHECKED	APPROVED
A	NEW RELEASE	JLZ 05/20/17'	HZW 05/20/17'	LJC 05/20/17'
B	DRAWING UPDATE	JLZ 11/10/18'		

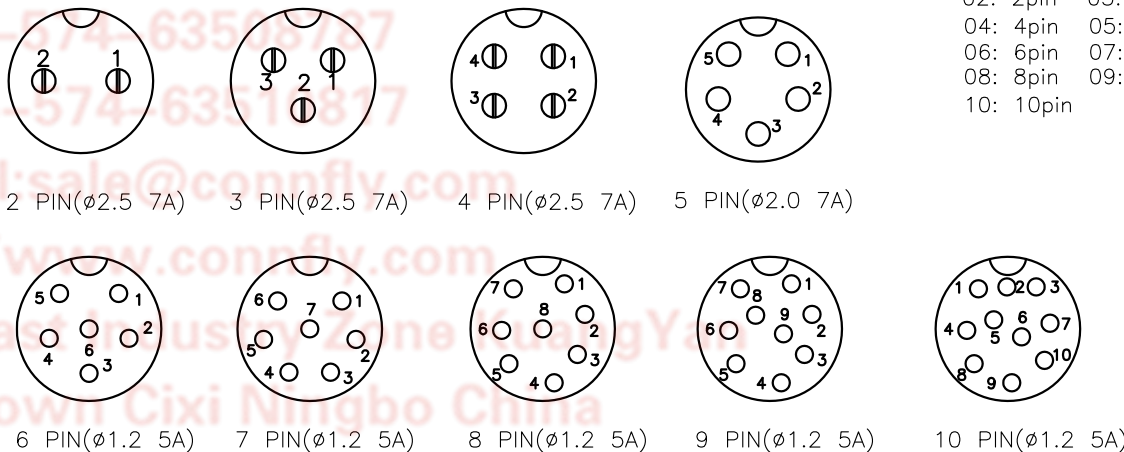
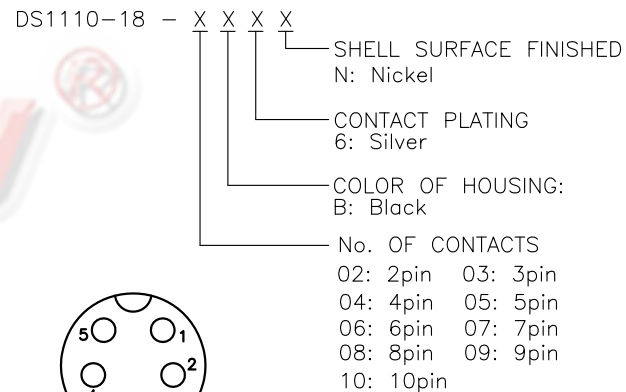


NOTES:

1. SPECIFICATION

- .CURRENT RATING: 5A~7A.
- .DIELECTRIC WITH STANDING VOLTAGE: 1000V(AC)
- .CONTACT RESISTANCE: 20m Ω Max.
- .INSULATION RESISTANCE: 1000M Ω (DC)Min

2. PRODUCT NUMBER CODE:



GENERAL TOLERANCE		ANGLE TOLERANCE		PROJECTION	TITLE
X.	± 0.60	X.	$\pm 5^\circ$		Micro Jack Total Length=45.5mm Ref(Pin $\phi 1.2 \sim 2.5$)
.X	± 0.38	.X	$\pm 3^\circ$	mm	W/ Square flange receptacle Threaded Type
.XX	± 0.25	.XX	$\pm 2^\circ$	A4	SERIES DS1110-18 SERIES
DRAWING TYPE		CUSTOMER		晨翔电子有限公司 CONNFLY CONNFLY ELECTRONIC CO. LTD	
SCALE		1:1 SHEET 1 OF 1			
DRAWING NO.		C-DS1110-18-XXX-B			