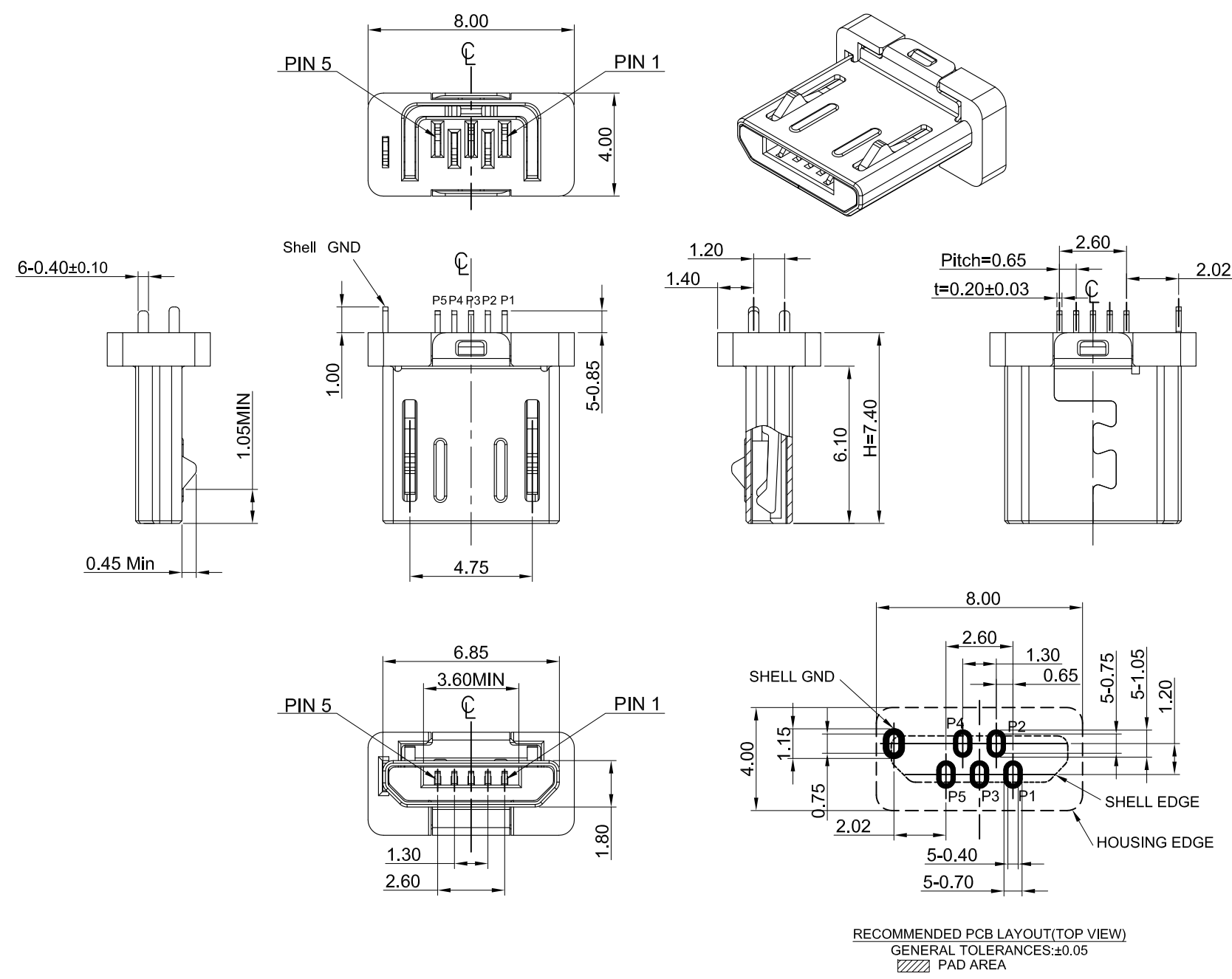


Dept	
Qty	
DC	1
ED	1
IE	1
ISO	1
PD	1
R&D	1
SD	1
QA	1
QC	1
QE	1

REV.	DESCRIPTION	DRAWN	CHECKED	APPROVED
A	NEW RELEASE	JLZ 12/01/17'		

The information provided herein is from CONNPLY Electronic Co., Ltd. and is confidential. Any disclosure to a party other than the recipient is prohibited. The intellectual properties and its rights contained herein, including but not limited to, trademarks, patents, copyrights, trade secrets, and technical know-how, are owned exclusively by CONNPLY or its affiliates. Unauthorized use or modification is strictly prohibited without prior written consent from CONNPLY. All intellectual properties provided herein are for reference purposes only and does not constitute authorization of its use in any format or manner. CONNPLY may enforce its intellectual property rights at its own discretion; failures or delays to exercise such rights does not constitute a waiver of such rights.



- NOTE:**
- Material:**
 - Housing: LCP Black; Thermoplastics, UL94V-0
 - Contact: Copper Alloy
 - Latch: Stainless Steel
 - Shell: Stainless Steel
 - Finish:**
 - Contact: Selective gold flash
 - Shell: Nickel
 - Specification:**
 - Insulation Resistance: 100MΩ Min. at 100V/DC
 - Contact Resistance: 30 mΩ Max.
 - Dielectric Withstanding Voltage: 100V/AC 1Minute
 - Voltage - Maximum: 30V AC
 - Current - Maximum per Contact: 1.8A, 1.0A
 - Temperature: -30°C~+80°C.
 - Product Number Code:**

DS1105-16 - X X X X X

- X: Packing Type: T: Tray
- X: Contact Plated: 0: Selective Gold Flash, 4: Selective 3u" gold
- X: Mounting Type: V: V/T Type
- X: Shell Plated: N: Nickel
- X: Color of Housing: B: Black

Pin Assignment

Contact Number	Signal Name
PIN 1	VBUS
PIN 2	D-
PIN 3	D+
PIN 4	ID
PIN 5	GND

GENERAL TOLERANCE		ANGLE TOLERANCE		PROJECTION		TITLE	Micro USB Male 5 Positions B Type
X.	±0.60	X.	±5°	UNITS	mm	V/T H=7.4mm	
.X	±0.38	.X	±3°	SHEET SIZE	A4	SERIES	DS1105-16 SERIES
.XX	±0.25	.XX	±2°	晨翔电子有限公司 CONNPLY CONNPLY ELECTRONIC CO. LTD			
DRAWING TYPE		CUSTOMER					
SCALE	1:1	SHEET	1 OF 1				
DRAWING NO.		C-DS1105-16-XXXXX-A					