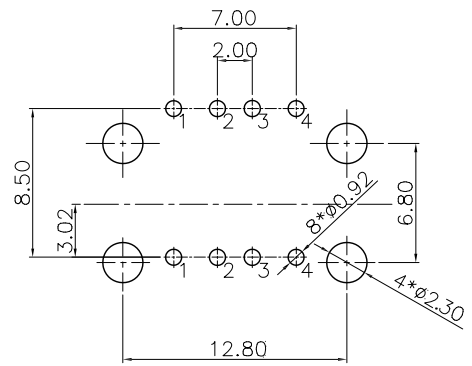
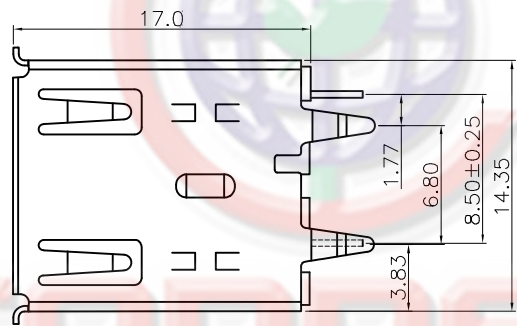
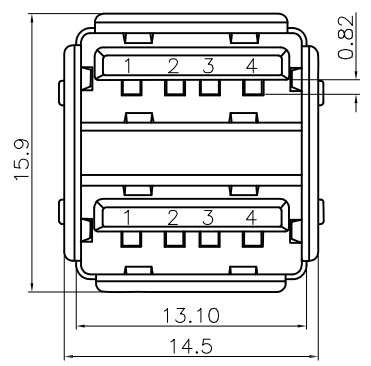


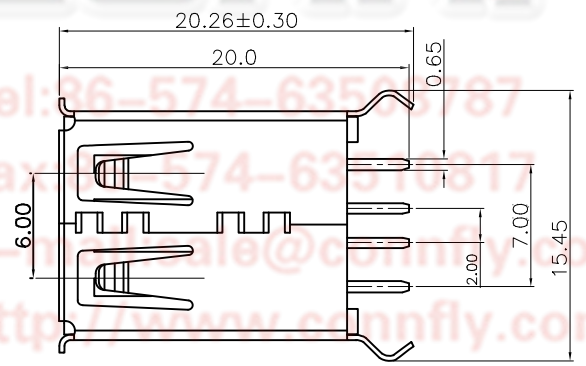
REV.	DESCRIPTION	DRAWN	CHECKED	APPROVED
A	NEW RELEASE	JLZ 07/25/14'	~	LJC 07/25/14'
B	DRAWING UPDATE	JLZ 10/25/17'	~	

NOTES:

- SPECIFICATIONS:
 - CONTACT RESISTANCE:30mΩ max.
 - INSULATOR RESISTANCE:1000MΩ min.AT DC 500V.
 - CURRENT RATING:1AMP.
 - VOLTAGE RATING:30VAC.
 - DIELECTRIC STRENGTH:AC 500V FOR 1 Minute.
- MATERIALS:
 - HOUSING:PBT+30% GLASS FIBER(UL 94-0).
 - CONTACT:COPPER ALLOY
 - SHELL:COPPER ALLOY OR STEEL.
- PRODUCT NUMBER CODE:
 DS1096-02 - X X X - X
 - Shell Materials:
 Fe: Steel
 N/A: Copper Alloy
 - Contact Plated:
 0: Selective Gold Flash
 03: Selective Gold 3u"
 - Shell Plated:
 N: Full Nickel
 6: Full Tin
 - Color Of Housing:
 W: White
 K: Black



RECOMMEND P.C.BOARD LAYOUT



GENERAL TOLERANCE	ANGLE TOLERANCE
X. ±0.60	X. ±5'
.X ±0.38	.X ±3'
.XX ±0.25	.XX ±2'

PROJECTION	TITLE
UNITS	USB DUAL 8 PIN RECEPTACE
SHEET SIZE	180' TYPE
	SERIES DS1096-02 SERIES

DRAWING TYPE	CUSTOMER
SCALE	1:1 SHEET 1 OF 1
DRAWING NO.	C-DS1096-02-XXX-X-B

晨翔电子有限公司
CONNFLY CONNFLY ELECTRONIC CO. LTD

Tel: 86-574-6353187
 Fax: 86-574-63516817
 E-mail: sales@connfly.com
 http://www.connfly.com
 Add: East Industry Zone KuangYan
 Town Cixi Ningbo China
 P.C: 315333