

REV.	DESCRIPTION	DRAWN	CHECKED	APPROVED
A	NEW RELEASE	JLZ 09/28/16'		

**NOTE:**

- Material:
  - Housing: Thermoplastics,UL94V-0
  - Contact: Copper Alloy
  - Shell: Copper Alloy
- Specification:
  - Rated current: 1.5 A  
Insulation Resistance: 1000M $\Omega$  Min. at 500V/DC for 1Minute.  
Withstanding voltage: 500 VAC/minute  
Contact Resistance: 30 mohms Max.
  - MECHANICAL  
Mating force: 35N(3.57kgf) Max.  
Unmating force(Without lock):10N(1.02kgf) Min.  
Durability: 1500 cycles Min.

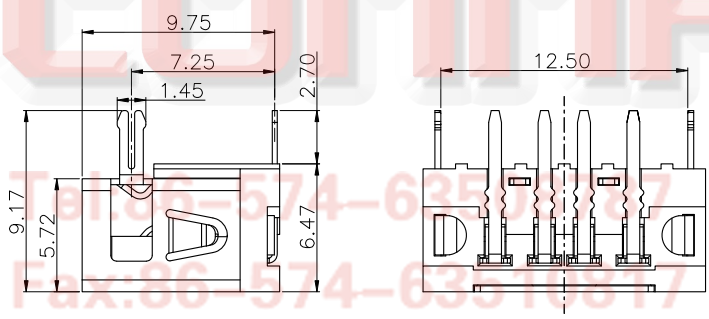
**3. PRODUCT NUMBER CODE:**

DS1095-12 - X X X X

- CONTACT PLATING  
0: Selective gold flash
- MOUNTING TYPE  
R: RIGHT ANGLE
- SHELL PLATING:  
N: Nickel
- COLOR OF HOUSING:  
W: White  
B: Black

**RECOMMENDED PCB LAYOUT(TOP VIEW)**

GENERAL TOLERANCES:±0.05



Tel: 86-574-6351087  
Fax: 86-574-6351057

E-mail:sale@connfly.com

http://www.connfly.com

Industry Zone KuangYan

Town Cixi Ningbo China


P.C:315333

GENERAL TOLERANCE		ANGLE TOLERANCE	
X.	±0.60	X.	±5°
.X	±0.38	.X	±3°
.XX	±0.25	.XX	±2°

PROJECTION	TITLE
UNITS	mm
SHEET SIZE	A4
SERIES	DS1095-12 SERIES

USB A Female R/A Type L=10.0mm

DRAWING TYPE	CUSTOMER
SCALE	1:1 SHEET 1 OF 1
DRAWING NO.	C-DS1095-12-XXXX-A

 **晨翔电子有限公司**  
**CONNFLY CONNFLY ELECTRONIC CO. LTD**

