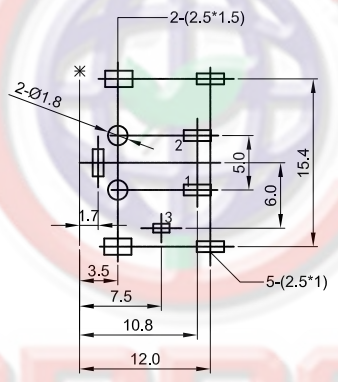
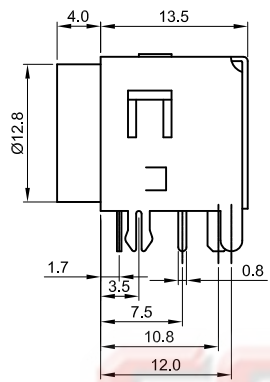
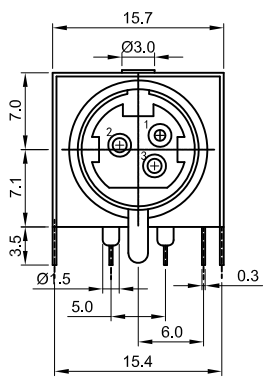


Dept
Qty
DC 1
ED 1
IE 1
ISO 1
PD 1
R&D 1
SD 1
QA 1
QC 1
QE 1

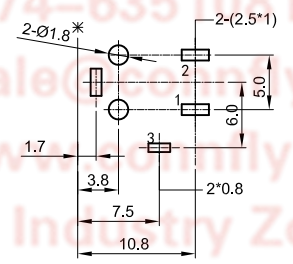
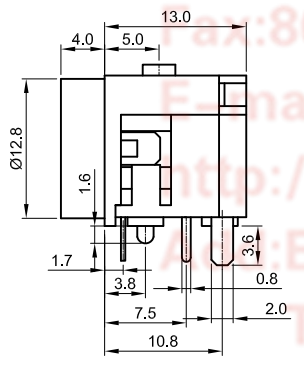
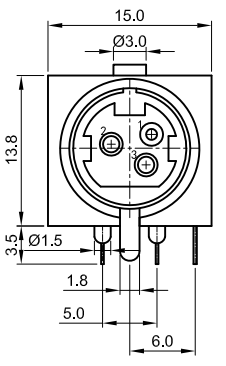
The information provided herein is from CONNELY Electronic Co., Ltd. and is confidential. Any disclosure to a party other than the recipient is prohibited. The intellectual properties and its rights contained herein, including but not limited to, trademarks, patents, copyrights, trade secrets, and technical know-how, are owned exclusively by CONNELY or its affiliates. Unauthorized use or reproduction of this information in any format or manner. CONNELY may enforce its intellectual property rights at its own discretion; failures or delays to exercise such rights does not constitute a waiver of such rights.

3P W/ Shell



RECOMMEND PCB LAYOUT

3P W/O Shell



RECOMMEND PCB LAYOUT

REV.	DESCRIPTION	DRAWN	CHECKED	APPROVED
A	NEW RELEASE	LJH 11/16/05'	~	LJC 11/16/05'
B	DRAWING UPDATE	JLZ 07/25/16'	HZW 07/25/16'	LJC 07/25/16'
C	DRAWING UPDATE	JLZ 02/20/19'	~	

- Notes:
- Specifications:
- Contact Resistance: 30mΩ Max.
 - Insulation Resistance: 100MΩ Min(@250V).
 - Dielectric Withstanding Voltage: 500V AC(rms) For 1 Minute.
 - Current Rating:1A.
 - Voltage Rating:50V AC rms.
 - Temperature: -40°C~+85°C.
- Materials:
- Contact Materials: Copper Alloy.
 - Contact Plating: Tin Plating Over Nickel.
 - Insulator Material: PBT,Black.
 - Steel Material: Steel.

Product Number Code:
DS1093-05 - X X X X X

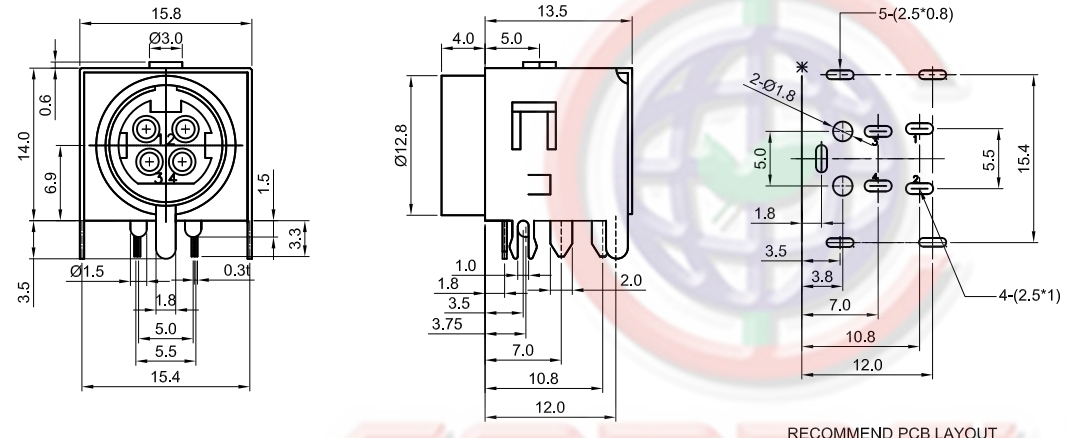
- Shell support
- X: W/O Shell
- S: W/ Shell
- Contact plating
- 6: Tin
- No.of contacts:
- 3: 3 pin
- Shell Plating:
- N: Nickel
- 6: Tin
- Color of housing
- B: Black

GENERAL TOLERANCE		ANGLE TOLERANCE		PROJECTION	TITLE
X.	±0.60	X.	±5°	mm	MINI DIN 326 TYPE
.X	±0.38	.X	±3°	A4	SERIES DS1093-05 SERIES
.XX	±0.25	.XX	±2°		
DRAWING TYPE		CUSTOMER		晨翔电子有限公司 CONNFLY CONNELY ELECTRONIC CO. LTD	
SCALE		1:1 SHEET 1 OF 2			
DRAWING NO.		C-DS1093-05-XXXXX-C			

The information provided herein is from CONNELY Electronic Co., Ltd. and is confidential. Any disclosure to a party other than the recipient is prohibited. The intellectual properties and its rights contained herein, including but not limited to, trademarks, patents, copyrights, trade secrets, and technical know-how, are owned exclusively by CONNELY or its affiliates. Unauthorized use of this information in any format or manner. CONNELY may enforce its intellectual property rights at its own discretion; failures or delays to exercise such rights does not constitute a waiver of such rights.

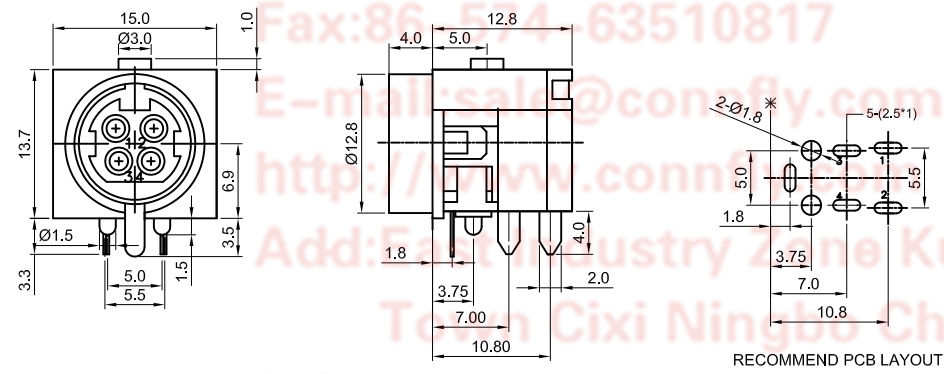
1 2 3 4 5 6 7 8

4P W/ Shell



RECOMMEND PCB LAYOUT

4P W/O Shell



RECOMMEND PCB LAYOUT

REV.	DESCRIPTION	DRAWN	CHECKED	APPROVED
A	NEW RELEASE	LJH 11/16/05'	~	LJC 11/16/05'
B	DRAWING UPDATE	JLZ 07/25/16'	HZW 07/25/16'	LJC 07/25/16'
C	DRAWING UPDATE	JLZ 02/20/19'	~	

- Notes:
- Specifications:
- Contact Resistance: 30mΩ Max.
 - Insulation Resistance: 100MΩ Min(@250V).
 - Dielectric Withstanding Voltage: 500V AC(rms) For 1 Minute.
 - Current Rating:1A.
 - Voltage Rating:50V AC rms.
 - Temperature: -40°C~+85°C.
- Materials:
- Contact Materials: Copper Alloy.
 - Contact Plating: Tin Plating Over Nickel.
 - Insulator Material: PBT,Black.
 - Steel Material: Steel.

Product Number Code:

DS1093-05 - X X X X X

- Shell support
- X: W/O Shell
- S: W/ Shell
- Contact plating
- 6: Tin
- No.of contacts:
- 4: 4 Pin
- Shell Plating:
- N: Nickel
- 6: Tin
- Color of housing
- B: Black

Tel:86-574-63508787
 Fax:86-574-63510817
 E-mail:sales@connely.com
 http://www.connely.com
 Add:East Industry Zone KuangYan
 Town Cixi Ningbo China
 P.C:315333

GENERAL TOLERANCE		ANGLE TOLERANCE		PROJECTION	TITLE
X.	±0.60	X.	±5°	mm	MINI DIN 422 TYPE
.X	±0.38	.X	±3°	A4	SERIES DS1093-05 SERIES
.XX	±0.25	.XX	±2°		
DRAWING TYPE		CUSTOMER		晨翔电子有限公司 CONNELY CONNELY ELECTRONIC CO. LTD	
SCALE		1:1 SHEET 2 OF 2			
DRAWING NO.		C-DS1093-05-XXXXX-C			

1 2 3 4 5 6 7 8