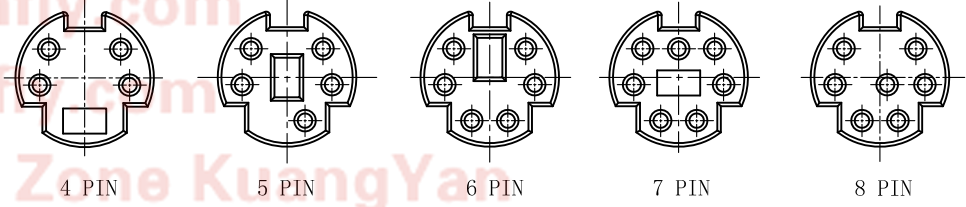
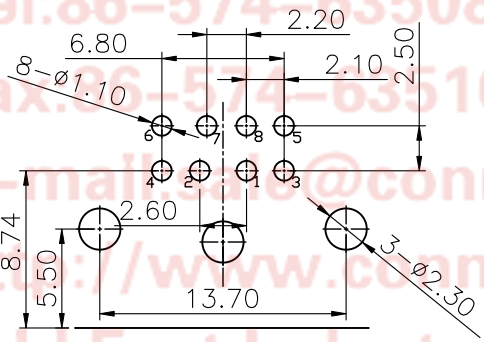
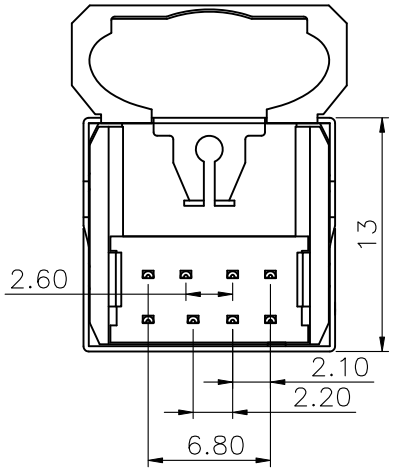
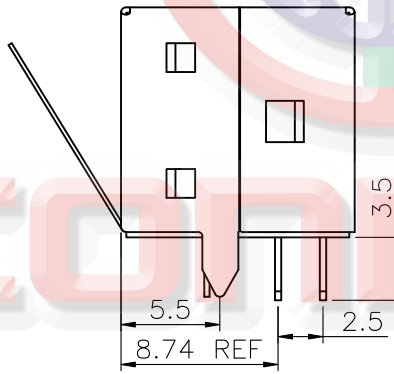
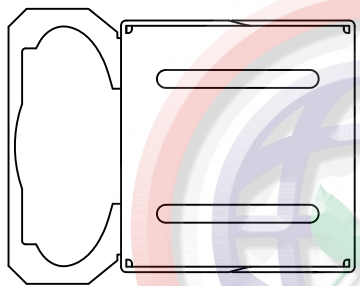
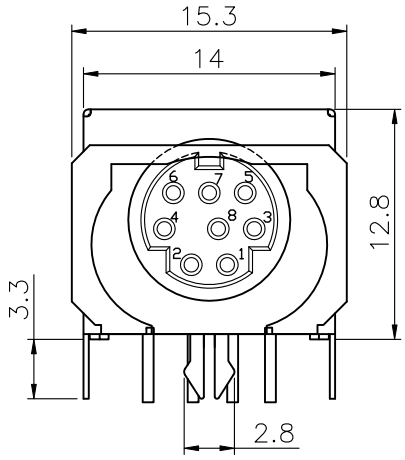


REV.	DESCRIPTION	DRAWN	CHECKED	APPROVED
A	NEW RELEASE	HP 06/10/05'		LJC 06/10/05'
B	DRAWING UPDATE	JLZ 10/06/17'		

NOTES:

- SPECIFICATIONS:
 - VOLTAGE RATING: 30V DC.
 - CONTACT CURRENT RATING: 1A MAX. PER PIN.
 - CONTACT RESISTANCE: 30 MILLIOHMS MAX.
 - DIELECTRIC WITHSTANDING VOLTAGE: 500V AC(rms) FOR 1 MINUTE.
 - INSULATION RESISTANCE: 1000 MEGAOHMS MIN.
 - OPERATING TEMPERATURE: -40°C~+85°C.
- PRODUCT NUMBER CODE:
DS1093-02 - X X X X

Contact plating
 0: Selective Gold Flash
 No.of contacts:
 4 5 6 7 8
 Shell Plating:
 N: Nickel
 6: Tin
 Color of housing
 B: Black
 Series No.
 DS1093-02



Tel:86-574-63508787
 Fax:86-574-63510817
 E-mail:cnfly@connfly.com
 http://www.connfly.com
 Add:East Industry Zone KuangYan
 Town Cixi Ningbo City
 P.C:315333

GENERAL TOLERANCE	ANGLE TOLERANCE
X. ±0.60	X. ±5°
.X ±0.38	.X ±3°
.XX ±0.25	.XX ±2°

PROJECTION	TITLE
	MINI DIN 824 TYPE
UNITS	mm
SHEET SIZE	A4
SERIES	DS1093-02 SERIES

DRAWING TYPE	CUSTOMER
SCALE	1:1 SHEET 1 OF 1
DRAWING NO.	C-DS1093-02-XXXX-B

晨翔电子有限公司
CONNFLY CONNFLY ELECTRONIC CO. LTD