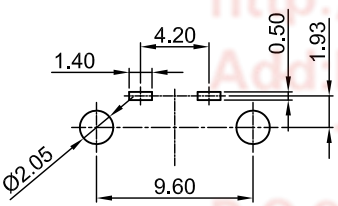
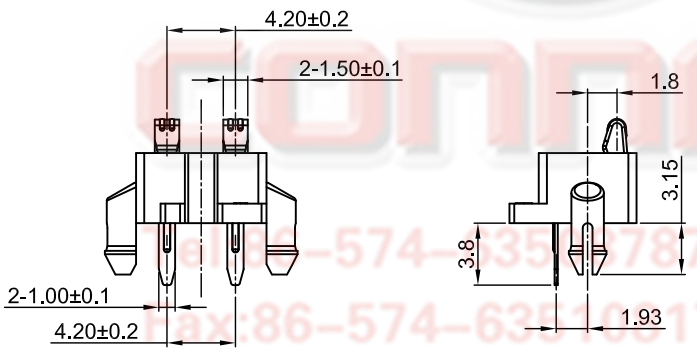
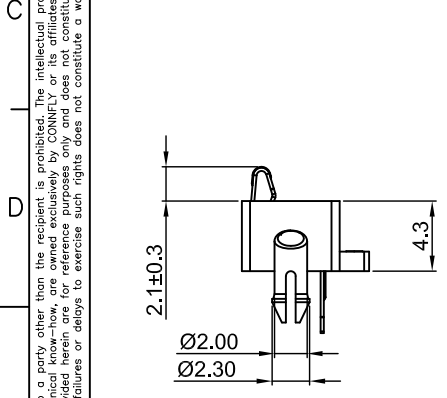
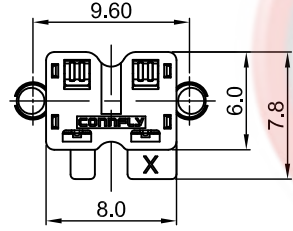
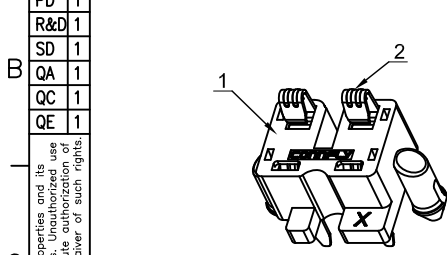


Dept	REV.	DESCRIPTION	DRAWN	CHECKED	APPROVED
Qty	A	NEW RELEASE	JLZ 08/09/18'		
DC 1					
ED 1					
IE 1					
ISO 1					
PD 1					
R&D 1					
SD 1					
QA 1					
QC 1					
QE 1					



NOTES:

- ELECTRICAL CHARACTERISTICS:
 - CONTACT RESISTANCE: 260mΩ Max.
 - DIELECTRIC WITHSTANDING VOLTAGE: 500V AC(rms) FOR 1 MINUTE.
 - INSULATION RESISTANCE: 100MΩ Min.
 - CURRENT RATING: 1A.
 - VOLTAGE RATING: 30V DC.
- ENVIRONMENT CHARACTERISTICS:
 - TEMPERATURE: -25°C~+70°C.
- MATERIALS
 - CONTACT MATERIAL: COPPER ALLOY, GOLD OVER NICKEL PLATED.
 - INSULATOR MATERIALS: NYLON BLACK.
- PRODUCT NUMBER CODE:

DS1092-26-X X X X 0 X 0

 - Packing Type: P:Ploybag
 - Housing Color: B:Black
 - Contact Plating: 8:Gold Flash
 - Mounting Type: V:V/T Type
 - Connector Type: S:Socket

GENERAL TOLERANCE		ANGLE TOLERANCE		PROJECTION		TITLE	4.2mm Travel Switch V/T Type H=4.3mm	
X.	±0.60	X.	±5°	UNITS	mm	SHEET	1 OF 1	
.X	±0.38	.X	±3°	SHEET SIZE	A4	SERIES	DS1092-26 SERIES	
.XX	±0.25	.XX	±2°	晨翔电子有限公司 CONNFLY CONNFLY ELECTRONIC CO. LTD				
2	CONTACT	COPPER ALLOY	GOLD FLASH					
1	HOUSING	NYLON	BLACK UL94 V-0	SCALE	1:1	SHEET	1 OF 1	
ITEM	PART NAME	MATERILAS	FINISHED	DRAWING NO.	C-DS1092-26-XXXX0X0-A			

The information provided herein is from CONNELY Electronic Co., Ltd. and is confidential. Any disclosure to a party other than the recipient is prohibited. The intellectual properties and its rights contained herein, including but not limited to, trademarks, patents, copyrights, trade secrets, and technical know-how, are owned exclusively by CONNELY or its affiliates. Unauthorized use of this information in any format or manner. CONNELY may enforce its intellectual property rights at its own discretion; failures or delays to exercise such rights does not constitute a waiver of such rights.

Tel: 86-574-63510787
 Fax: 86-574-6351017
 E-mail: sale@connfly.com
 http://www.connfly.com
 Add: East Industry Zone KuangYan
 Town Cixi Ningbo China
 P.C: 315333