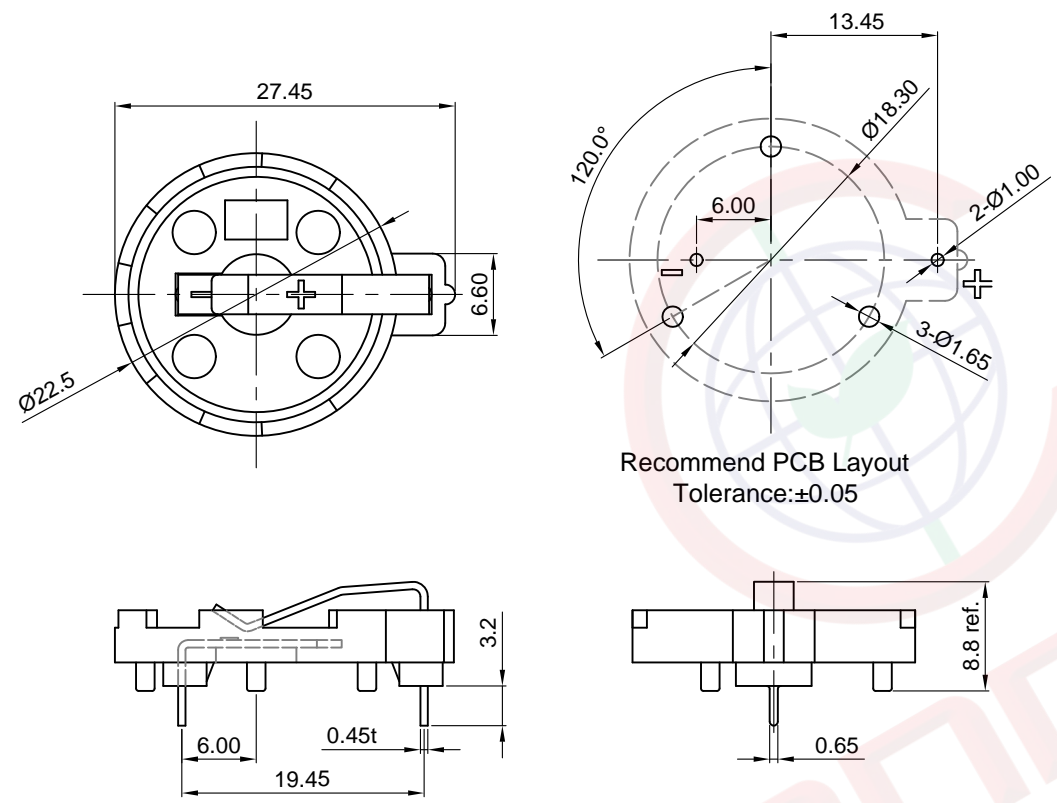


Dept	Qty
DC	1
ED	1
IE	1
ISO	1
PD	1
R&D	1
SD	1
QA	1
QC	1
QF	1

The information provided herein is from CONNELY Electronic Co., Ltd. and is confidential. Any disclosure to a party other than the recipient is prohibited. The intellectual properties and its rights contained herein, including but not limited to, trademarks, patents, copyrights, trade secrets, and technical know-how, are owned exclusively by CONNELY or its affiliates. Unauthorized use or reproduction of any part of this document is strictly prohibited. CONNELY may enforce its intellectual property rights at its own discretion, failures or delays to exercise such rights does not constitute a waiver of such rights.

REV.	DESCRIPTION	DRAWN	CHECKED	APPROVED
A	NEW RELEASE	YCH 08/07/12'		LJC 08/07/12'
C	DRAWING UPDATE	JLZ 03/31/21'		



NOTE:

- Materials:
 - 1.1 Base: Thermoplastic, UL94 V-0, Color of black.
Temp. Range: -25°C to +85°C.
 - 1.2 Positive & Negative Contacts: Mn Steel.
- Specification:
 - 2.1 Dielectric Withstanding Voltage: AC 500V AC.
 - 2.2 Insulation Resistance: 1000MΩ min.
 - 2.3 Contact Resistance: 100mΩ Max.
- Part Number Code:

DS1092-09 - X X X


Housing material:
 P: PBT
 Contact plating:
 N: Nickel
 Housing color:
 B: Black



(Series Image-Reference Only)

GENERAL TOLERANCE		ANGLE TOLERANCE	
X.	±0.60	X.	±5°
.X	±0.38	.X	±3°
.XX	±0.25	.XX	±2°
DRAWING TYPE		CUSTOMER	
SCALE		1:1	SHEET 1 OF 1
DRAWING NO.		C-DS1092-09-XXX-C	

PROJECTION		TITLE	2032 Lithium Coin Cell
UNITS	mm		Battery Holders Horizontal insert type
SHEET SIZE	A4	SERIES	DS1092-09 SERIES


晨翔电子有限公司
 CONNELY CONNELY ELECTRONIC CO. LTD