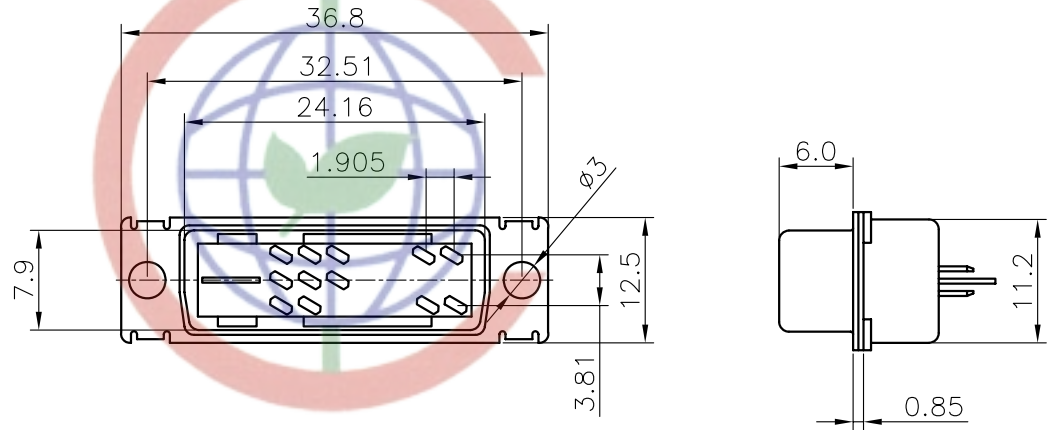


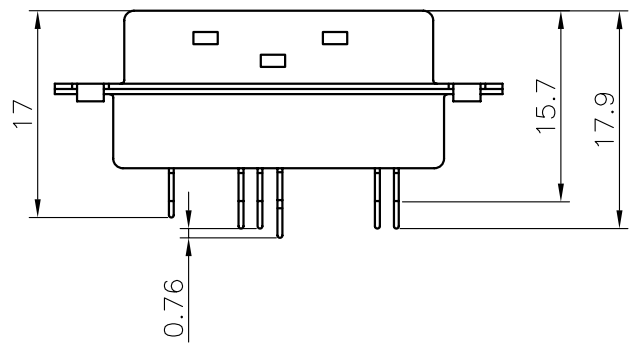
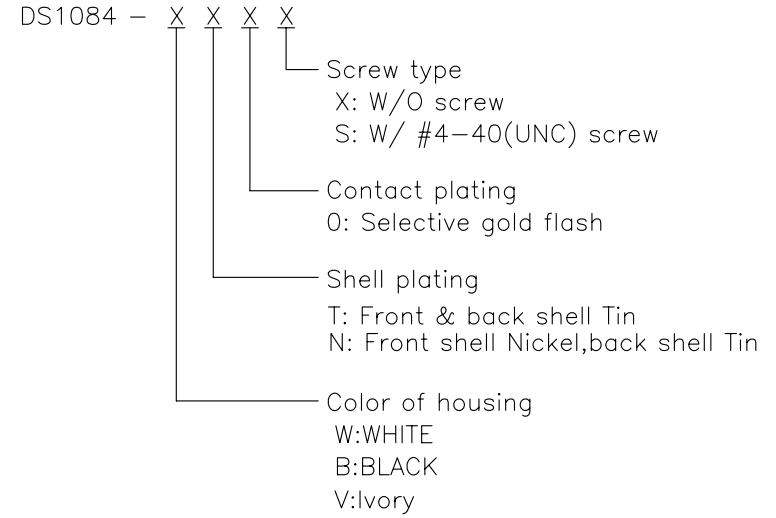
REV.	DESCRIPTION	DRAWN	CHECKED	APPROVED
A	NEW RELEASE	HP 20/06/05		



NOTES:

- SPECIFICATIONS
 - Contact Resistance: 30mΩ max
 - Insulation Resistance: 1000MΩ min.
 - Current Rating: 1A
 - Dielectric withstanding voltage: AC 500V For 1 minute
 - Contact: Copper alloy.
 - Housing: Thermoplastic(UL 94V-0)


2. PRODUCT NUMBER CODE:



CONNFLY

Tel: 86-574-63508787

Fax: 86-574-63510817

GENERAL TOLERANCE		ANGLE TOLERANCE		PROJECTION	⊕	TITLE
X.	±0.60	X.	±5°	UNITS	mm	DVI PLUG 12+1(JDB-121)
.X	±0.38	.X	±3°	SHEET SIZE	A4	SERIES DS1084
.XX	±0.25	.XX	±2°			
DRAWING TYPE	CUSTOMER			 晨翔电子有限公司 CONNFLY CONNFLY ELECTRONIC CO. LTD		
SCALE	1:1	SHEET	1 OF 1			
DRAWING NO.	C-DS1084-XXXX					