

REV.	DESCRIPTION	DRAWN	CHECKED	APPROVED
A	NEW RELEASE	HP 18/06/05		

NOTES:

1. SPECIFICATION:

- . Current Rating: 3A.
- . Insulation Resistance: 1000MΩ min.
- . Dielectric Withstanding: 500V for One minute.
- . Contact resistance: 100mΩ max.
- . Operating Temperature: -40°C to +105°C

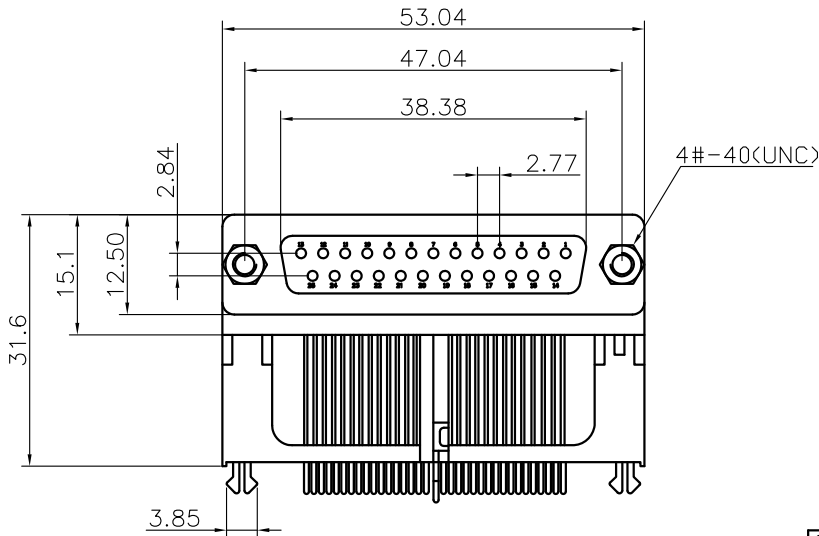
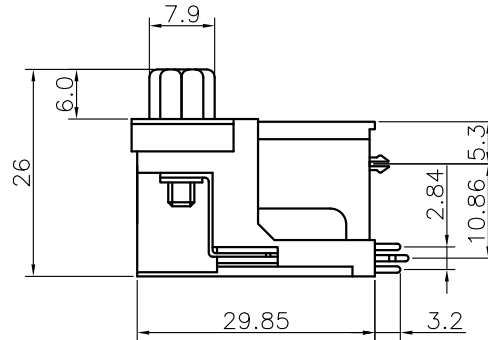
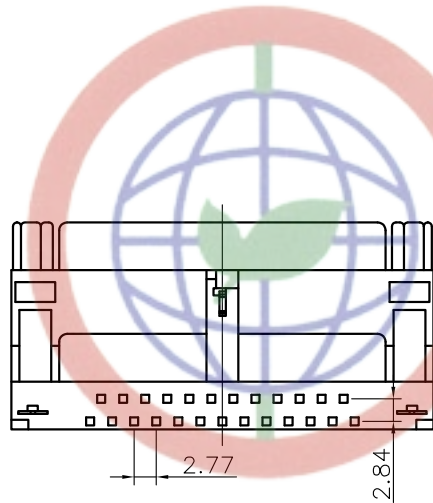
2. MATERIALS

- . Insulator: PBT With 30% Glass Fiber(UL 94V-0)
- . Contact: Copper alloy.
- . Shell: Stel.
- . Board Lock: Copper alloy

3. PRODUCT NUMBER CODE:

DS1080 - X X X

- Contact Plating
- 6: Tin
- 0: Selective Gold flash
- Shell plating
- N: nickel
- Color of housing
- P: Purple
- B: BLACK
- L: BLUE



CONNFLY

Tel:86-574-63508787
 Fax:86-574-63510817
 E-mail:sale@zhenqin.com.cn
 Http://www.connfly.com

GENERAL TOLERANCE	ANGLE TOLERANCE	PROJECTION	TITLE
X. ±0.60	X. ±5°	UNITS mm	D-SUB 25 FEMALE HIGH RAISE(25F)
.X ±0.38	.X ±3°	SHEET SIZE A4	SERIES DS1080
.XX ±0.25	.XX ±2°		
DRAWING TYPE	CUSTOMER	晨翔电子有限公司 CONNFLY CONNFLY ELECTRONIC CO. LTD	
SCALE 1:1	SHEET 1 OF 1		
DRAWING NO.	C-DS1080-XXX		