

Dept	
Qty	
DC	1
ED	1
IE	1
ISO	1
PD	1
R&D	1
SD	1
QA	1
QC	1
QE	1

The information provided herein is from CONNELY Electronic Co., Ltd. and is confidential. Any disclosure to a party other than the recipient is prohibited. The intellectual properties and its rights contained herein, including but not limited to, trademarks, patents, copyrights, trade secrets, and technical know-how, are owned exclusively by CONNELY or its affiliates. Unauthorized use or modification is strictly prohibited. CONNELY, CONNELY, intellectual properties, provided herein are for reference purposes only and does not constitute authorization of its use in any format or manner. CONNELY may enforce its intellectual property rights at its own discretion, failures or delays to average such rights does not constitute a waiver of such rights.

REV.	DESCRIPTION	DRAWN	CHECKED	APPROVED
A	NEW RELEASE	YCH 12/31/08'		LJC 09/25/06'
B	DRAWING UPDATE	JLZ 07/02/21'		

NOTES:

- Electrical characteristics:
 - 1.1 Contact resistance: 20mΩ Max. Initial.
 - 1.2 Dielectric withstanding voltage: 500V AC(rms) for 1 minute.
 - 1.3 Insulation resistance: 1000MΩ Min.
- Environment characteristics:
 - 2.1. Temperature range: -40°C~+105°C.
- Materials:
 - 3.1 Insulator:PBT+Glass fiber
 - 3.2 Shell:Steel
 - 3.3 Contact:Copper alloy
- Product number code:
DS1077-01 - X X X X X X X

Screw DIM. A
X: W/O Screw
4: 4.80 5: 5.80

Screw type
X: Standard(W/O Fork)
3: BR type
4: BRJ type (W/O Washer)
7: BRJ type (W/ Washer)

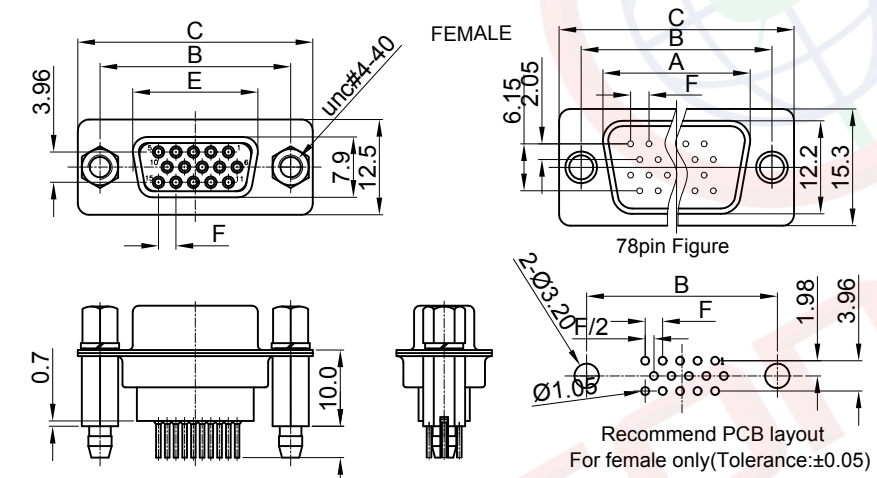
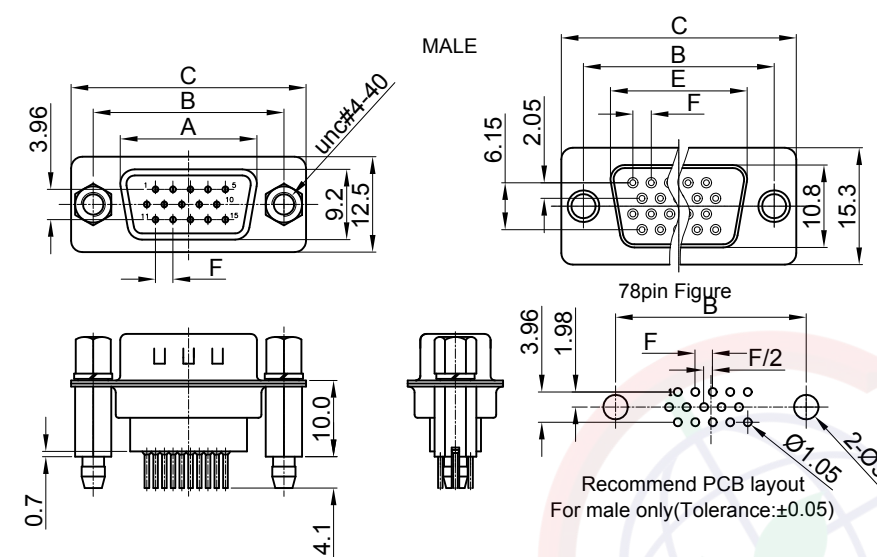
Shell plating
N:Fornt shell nickel,Back shell tin

Contact plating
8: Full gold flash
0: Selective gold flash

Housing color
B:Black
W:White
U:Blue

Connector type
M:Male
F:Female

No.of contacts
15 26 44 62 78



Position	A	B	C	E	F
15	17.90	24.99	30.80	16.33	2.29
26	26.50	33.32	39.14	24.66	2.29
44	40.00	47.04	53.04	38.38	2.29
62	56.50	63.50	69.32	54.84	2.41
78	54.30	61.00	67.04	52.34	2.41

GENERAL TOLERANCE		ANGLE TOLERANCE	
X.	±0.60	X.	±5°
.X	±0.38	.X	±3°
.XX	±0.25	.XX	±2°
DRAWING TYPE		CUSTOMER	
SCALE	1:1	SHEET	1 OF 1
DRAWING NO.	C-DS1077-01-XXXXXX-B		

PROJECTION	TITLE
	D-SUB H.D DIP Type Profile Height=10.0mm
UNITS	mm
SHEET SIZE	A4
SERIES	DS1077-01 SERIES



(Series Image-Reference Only)

晨翔电子有限公司
CONNFLY CONNELY ELECTRONIC CO. LTD