

REV.	DESCRIPTION	DRAWN	CHECKED	APPROVED
A	NEW RELEASE	JLZ 10/22/15'	~	

NOTES:

1. MAIN SPECIFICATIONS

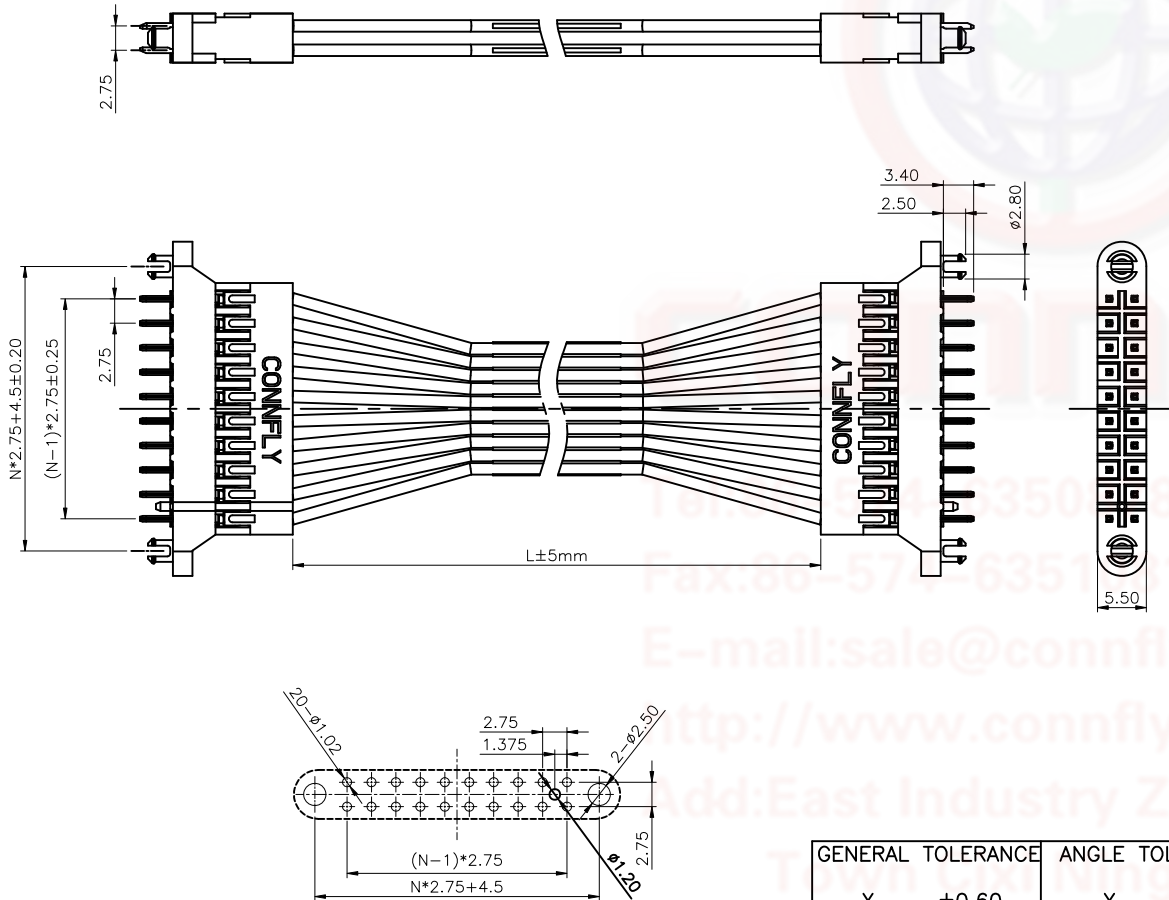
- . Housing material: NYLON 66
- . Contact:Copper Alloy
- . Wire range: AWG#24~26
- . Rated voltage: 250V
- . Rated current: 1.5A
- . Contact resistance: $\leq 100m\Omega$
- . Insulation resistance: $\geq 100M\Omega$
- . Withstanding voltage: 500V,AC 1 minute
- . Temperature range: $-20 \sim +80^{\circ}C$

2. Product Number Code:

DS1071-03 - X X X X X X X

- Wire Length(Dim L)
080: 80mm
180: 180mm
- Wire Style
A: UL 1007
- Contact Plating
6: Full Tin
- Housing Color
B: Black
- Wire Gauge
24: AWG #24
26: AWG #26
- Mounting Type
C: Crimp
- No.Of Contacts
2*2~2*20

N=No.Of Contacts/2



RECOMMENDED PCB LAYOUT(Tolerance= ± 0.05)

GENERAL TOLERANCE		ANGLE TOLERANCE	
X.	± 0.60	X.	$\pm 5^{\circ}$
.X	± 0.38	.X	$\pm 3^{\circ}$
.XX	± 0.25	.XX	$\pm 2^{\circ}$

PROJECTION	TITLE
	2.75*2.75mm W/ Post & Crimp + Solder Type
UNITS	mm
SHEET SIZE	A4
SERIES	DS1071-03 SERIES

DRAWING TYPE	CUSTOMER		
SCALE	1:1	SHEET	1 OF 1
DRAWING NO.	C-DS1071-03-XXXXXXX-A		

晨翔电子有限公司
CONNFLY CONNFLY ELECTRONIC CO. LTD