

REV.	DESCRIPTION	DRAWN	CHECKED	APPROVED
A	NEW RELEASE	LJH 08/13/05'	~	LJC 08/13/05'
B	整理图面	YCH 09/13/07'	~	

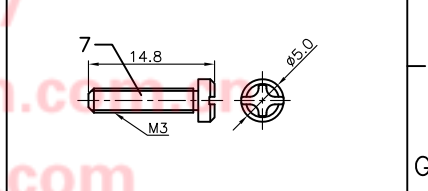
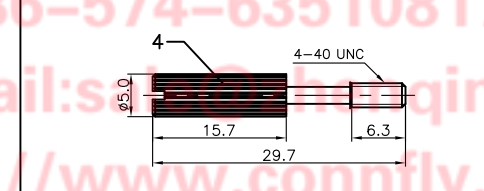
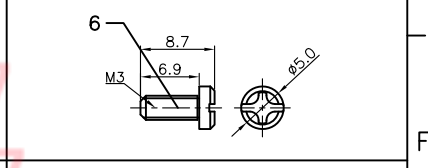
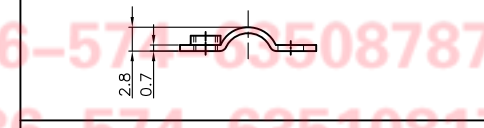
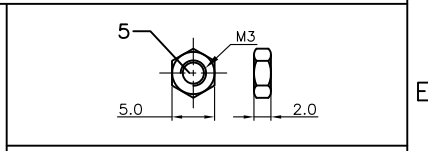
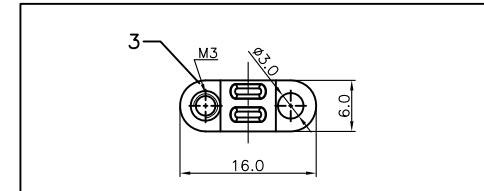
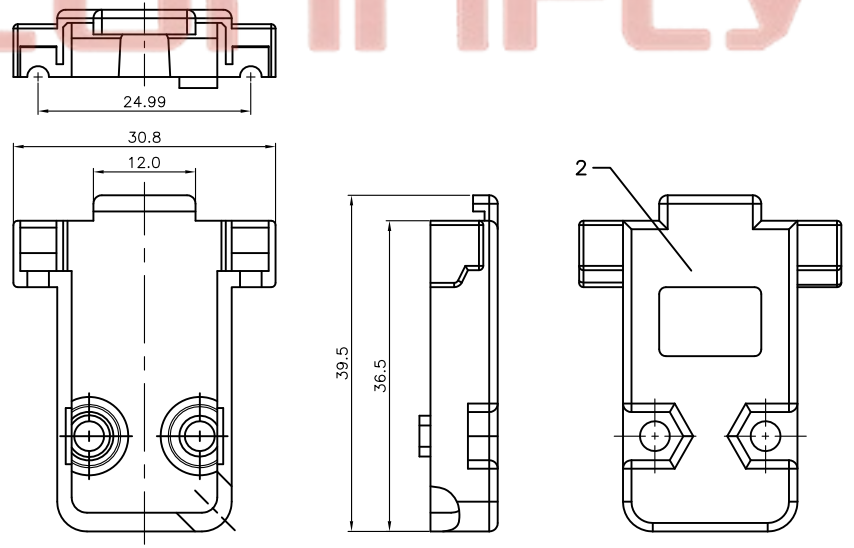
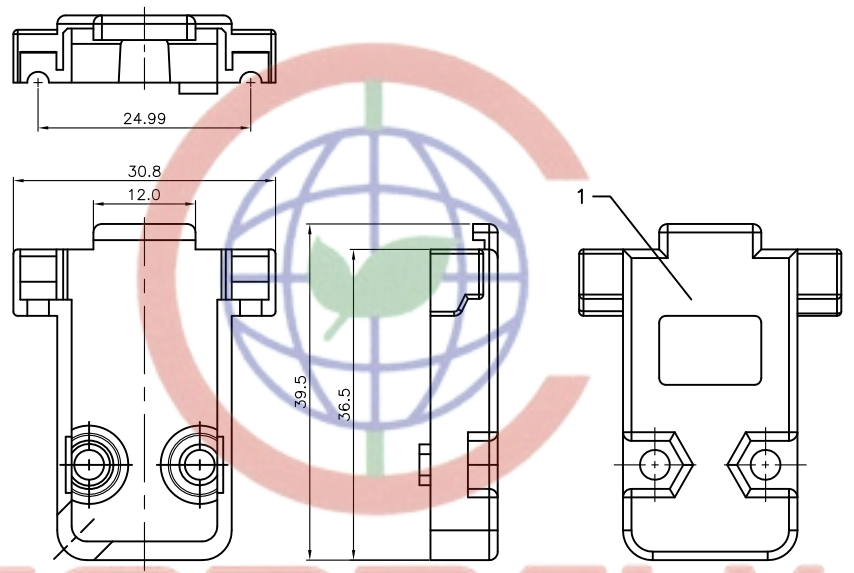
NOTES:

1. PART NUMBER CODE:

DS1051 - 09 X X

- Packing type
- 1: Mix packing
- 2: Separation packing
- Cover Material
- C: Chromium plating
- Position
- 09: 9pin

BOM LIST			
ITEM	PART NAME	Q'ty	NOTES
1	PLASTIC HOOD-1	1	ABS
2	PLASTIC HOOD-1	1	ABS
3	WASHER	2	M3
4	BOLT	2	#4-40
5	NUT	2	M3
6	SHORT SCREW	2	M3
7	LONG SCREW	2	M3



GENERAL TOLERANCE	ANGLE TOLERANCE	PROJECTION	TITLE
X. ±0.60	X. ±5°	mm	D-SUB 9pin Hood Chromium Plated
.X ±0.38	.X ±3°	A4	Large Angled Cable Outlet
.XX ±0.25	.XX ±2°	SHEET SIZE	SERIES DS1051 SERIES
DRAWING TYPE	COSTOMER	晨翔电子有限公司 CONNFLY CONNFLY ELECTRONIC CO. LTD	
SCALE	1:1 SHEET 1 OF 1		
DRAWING NO.	C-DS1051-09XX		

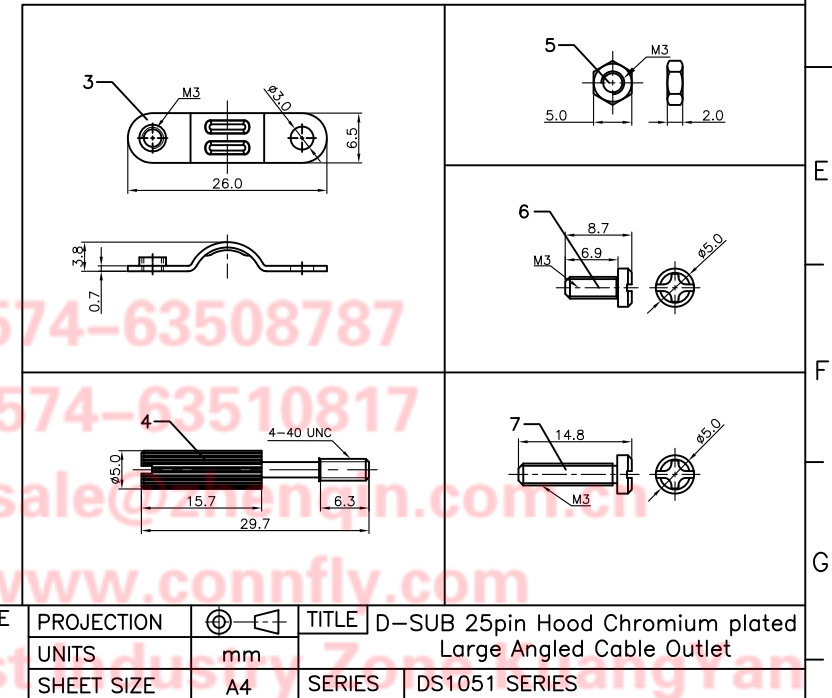
Tel:86-574-63508787
 Fax:86-574-63510817
 E-mail:sales@connfly.com
 Http://www.connfly.com
 Add:East Industry Zone, Changyan Town, Xi Ningbo City, Zhejiang P.R.C. 315333

REV.	DESCRIPTION	DRAWN	CHECKED	APPROVED
A	NEW RELEASE	LJH 10/26/05'	~	LJC 10/26/05'
B	整理图面	YCH 09/13/07'	~	

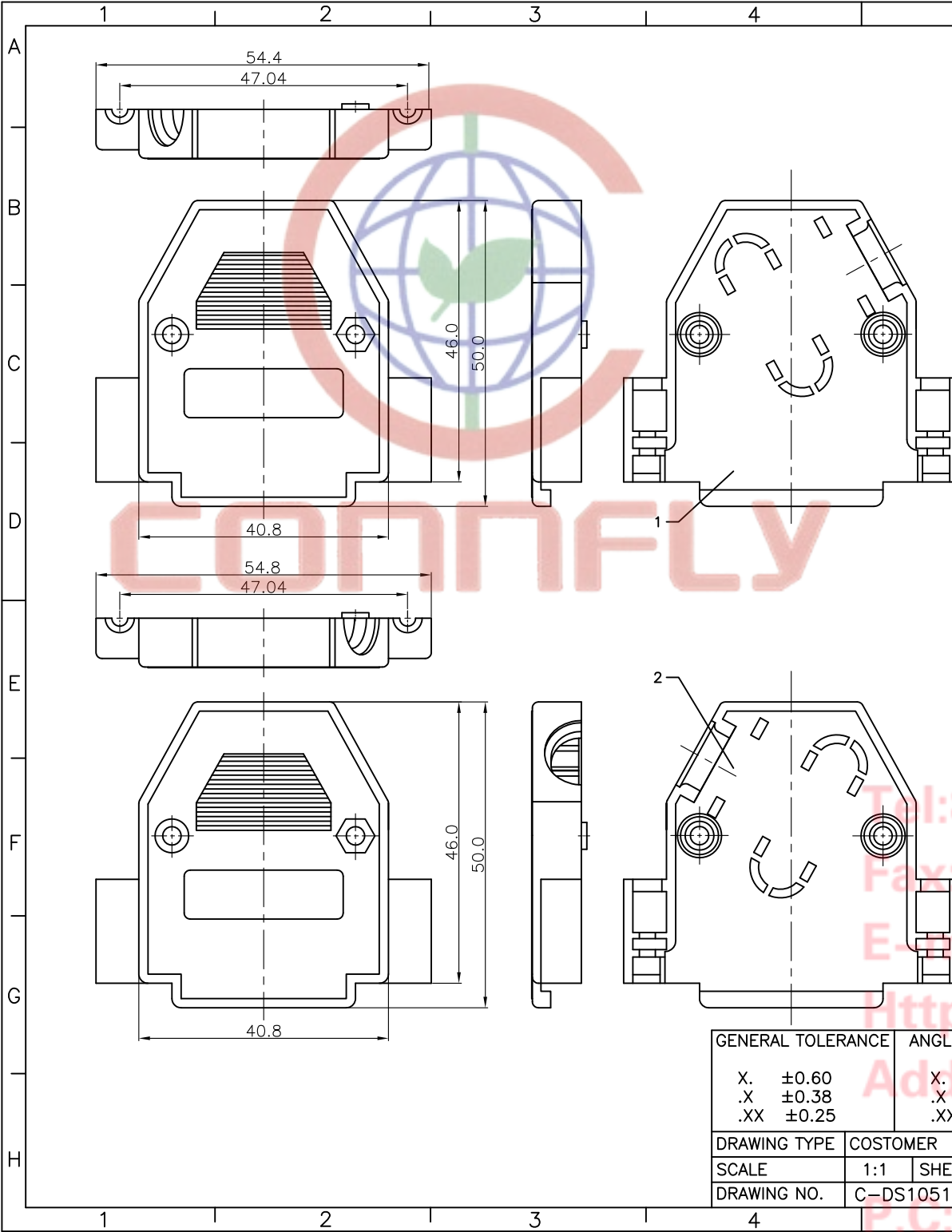
NOTES:
1. PART NUMBER CODE:
DS1051 - 25 X X

Packing type
1: Mix packing
2: Separation packing
Cover Material
C: Chromium plating
Position
25: 25pin

BOM LIST			
ITEM	PART NAME	Q'ty	NOTES
1	PLASTIC HOOD-1	1	ABS
2	PLASTIC HOOD-1	1	ABS
3	WASHER	2	M3
4	BOLT	2	#4-40
5	NUT	2	M3
6	SHORT SCREW	2	M3
7	LONG SCREW	2	M3



GENERAL TOLERANCE	ANGLE TOLERANCE	PROJECTION	TITLE
X. ±0.60	X. ±5°		D-SUB 25pin Hood Chromium plated
.X ±0.38	.X ±3°	mm	Large Angled Cable Outlet
.XX ±0.25	.XX ±2°	A4	SERIES DS1051 SERIES
DRAWING TYPE	CUSTOMER	晨翔电子有限公司 CONNFLY CONNFLY ELECTRONIC CO. LTD	
SCALE	1:1	SHEET	1 OF 1
DRAWING NO.	C-DS1051-25XX		



Tel: 86-574-63508787
 Fax: 86-574-63510817
 E-mail: sales@connfly.com.cn
 Http://www.connfly.com
 Add: East Industry Zone, Changyan Town, Ningbo City, Zhejiang Province, P.R. China
 P.C: 315333

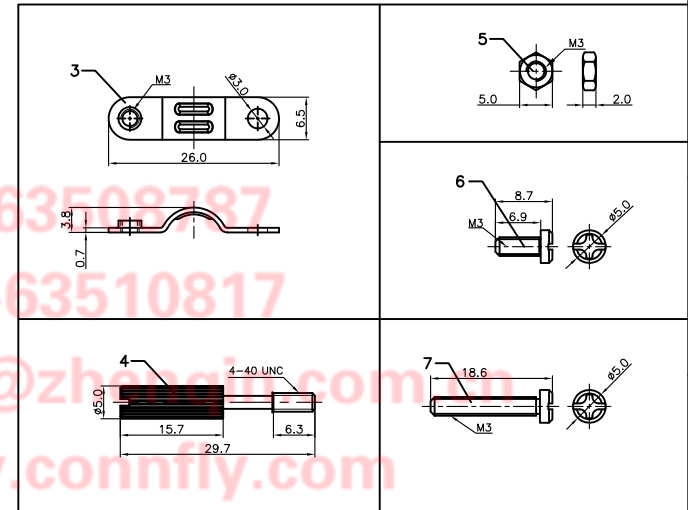
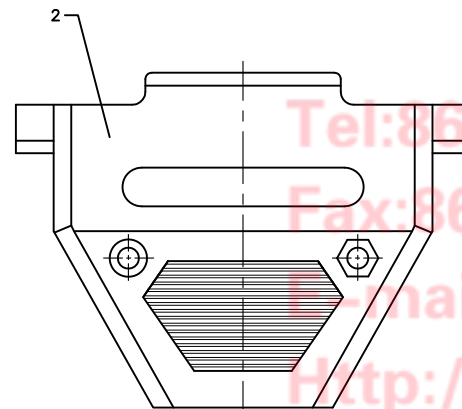
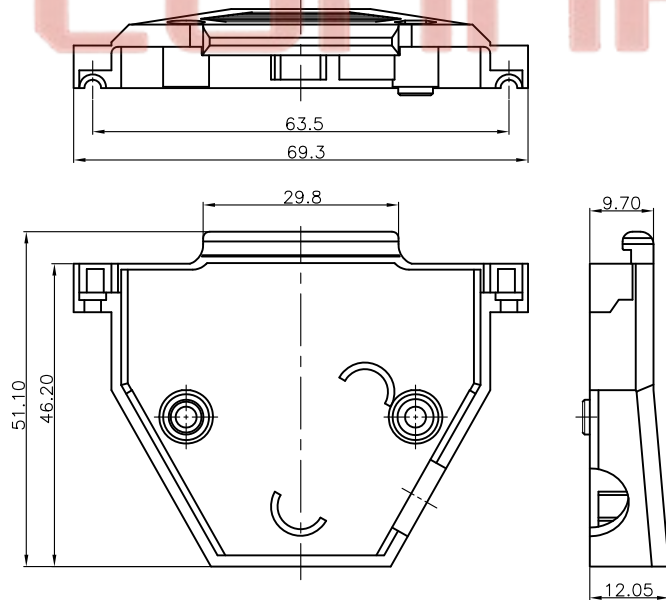
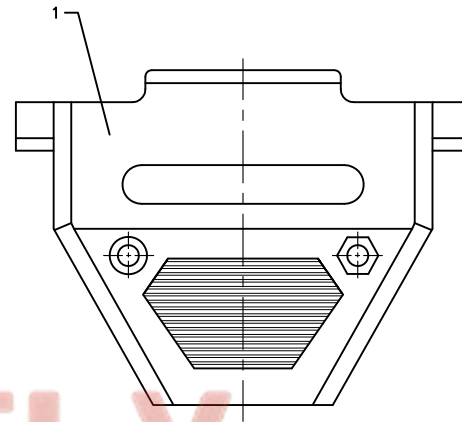
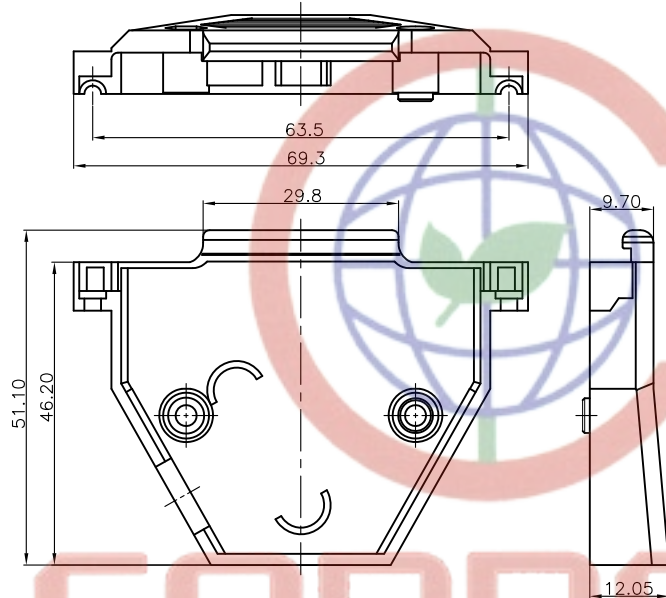
REV.	DESCRIPTION	DRAWN	CHECKED	APPROVED
A	NEW RELEASE	LJH 10/26/05'	~	LJC 10/26/05'
B	整理图面	YCH 09/13/07'	~	

NOTES:
1. PART NUMBER CODE:
DS1051 - 37 X X

Packing type
1: Mix packing
2: Separation packing
Cover Material
C: Chromium plating

Position
37: 37pin

BOM LIST			
ITEM	PART NAME	Q'ty	NOTES
1	PLASTIC HOOD-1	1	ABS
2	PLASTIC HOOD-1	1	ABS
3	WASHER	2	M3
4	BOLT	2	#4-40
5	NUT	2	M3
6	SHORT SCREW	2	M3
7	LONG SCREW	2	M3



GENERAL TOLERANCE		ANGLE TOLERANCE		PROJECTION		TITLE	D-SUB 37pin Hood Chromium plated
X.	±0.60	X.	±5°	UNITS	mm		Large Angled Cable Outlet
.X	±0.38	.X	±3°	SHEET SIZE	A4	SERIES	DS1051 SERIES
.XX	±0.25	.XX	±2°				
DRAWING TYPE	COSTOMER			晨翔电子有限公司 CONNFLY CONNFLY ELECTRONIC CO. LTD			
SCALE	1:1	SHEET	1 OF 1				
DRAWING NO.	C-DS1051-37XX						

Tel: 86-574-63502787

Fax: 86-574-63510817

E-mail: sale@zhengxi.com.cn

Http://www.connfly.com

Add: East Industry Zone, Ningbo City, Zhejiang Province, China

Phone: 86-574-63502787