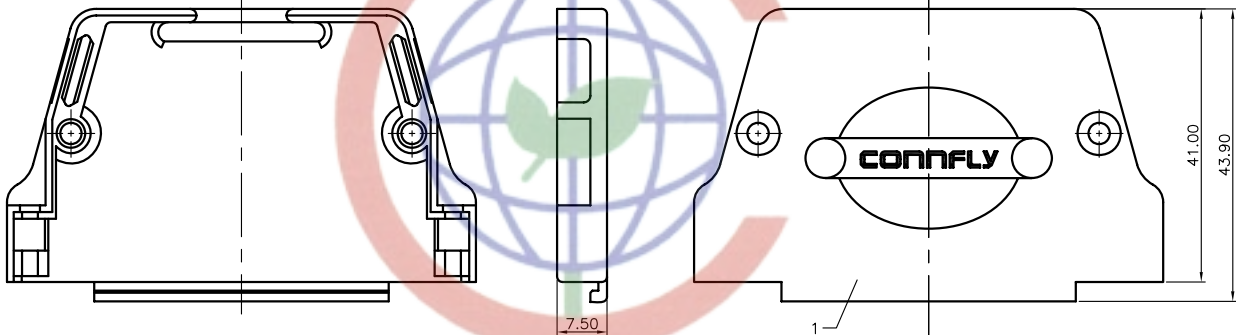


| REV. | DESCRIPTION | DRAWN | CHECKED | APPROVED |
|------|-------------|---------------|---------|----------|
| A | NEW RELEASE | YCH 12/31/09' | ~ | |
| | | | | |
| | | | | |

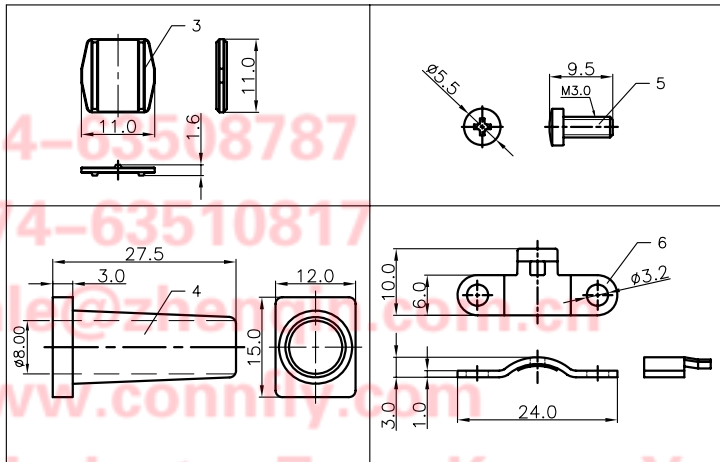
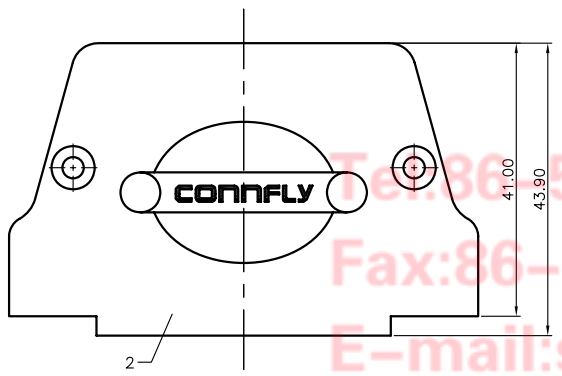
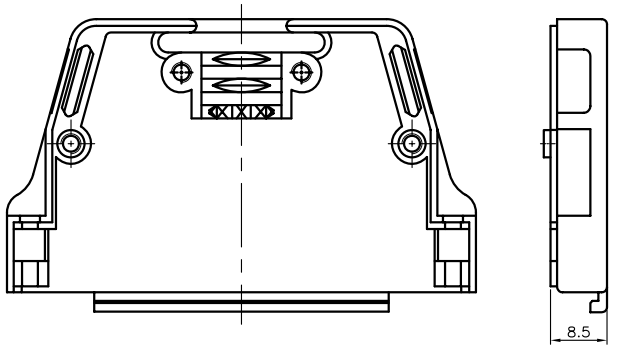



NOTES:
 1. PART NUMBER CODE:
 DS1047-05 - 37 X X

- Packing type
 - 1: Mix packing
 - 2: Separation packing
- Cover Material
 - M: Metal(Znic alloy)
- Positions
 - 37: 37pin



| BOM LIST | | | |
|----------|--------------|------|-------|
| ITEM | PART NAME | Q'ty | NOTES |
| 1 | METAL HOOD-1 | 1 | |
| 2 | METAL HOOD-2 | 1 | |
| 3 | LOCATOR | 2 | |
| 4 | SR | 1 | |
| 5 | SCREW | 4 | |
| 6 | WASHER | 1 | |



| | | | | | | | |
|-------------------|-------|------------------|-----|--|-------|-------------------------|----------------------------|
| GENERAL TOLERANCE | | ANGLE TOLERANCE | | PROJECTION | TITLE | D-SUB 37pin Metal Hoods | |
| X. | ±0.60 | X. | ±5° | UNITS | | mm | Straight Cable Outlet Type |
| .X | ±0.38 | .X | ±3° | SHEET SIZE | A4 | SERIES | DS1047-05 SERIES |
| .XX | ±0.25 | .XX | ±2° |  晨翔电子有限公司 CONNFLY CONNFLY ELECTRONIC CO. LTD | | | |
| DRAWING TYPE | | COSTOMER | | | | | |
| SCALE | | 1:1 | | | | | |
| DRAWING NO. | | C-DS1047-05-37XX | | SHEET | | 1 OF 1 | |