

REV.	DESCRIPTION	DRAWN	CHECKED	APPROVED
A	NEW RELEASE	YCH 12/31/09'	~	LJC 12/31/09'
B	DRAWING UPDATE	JLZ 05/12/16'	HZW 05/12/16'	LJC 05/12/16'

NOTES:

1. PART NUMBER CODE:

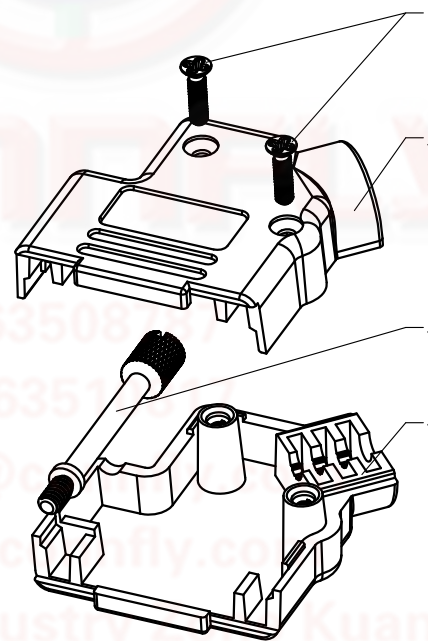
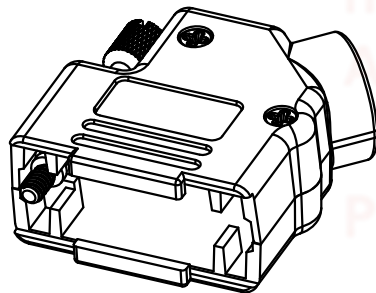
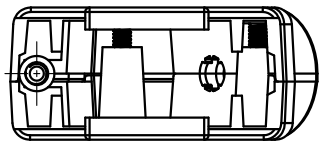
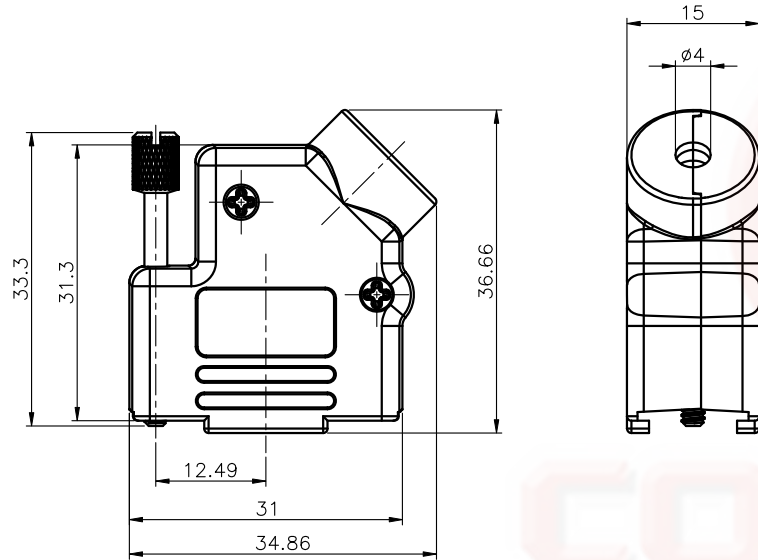
DS1047-04 - 09 X X - X

LOGO Support
X: W/O LOGO
N/A: CONNFLY LOGO

Packing type
1: Mix packing
2: Separation packing

Cover Material
M: Metal(Znic alloy)

Positions
09: 9pin




BOM LIST			
ITEM	PART NAME	Q'ty	NOTES
1	SCREW	2	M2
2	METAL HOOD-1	1	
3	BOLT	1	UNC#4-40
4	METAL HOOD-2	1	

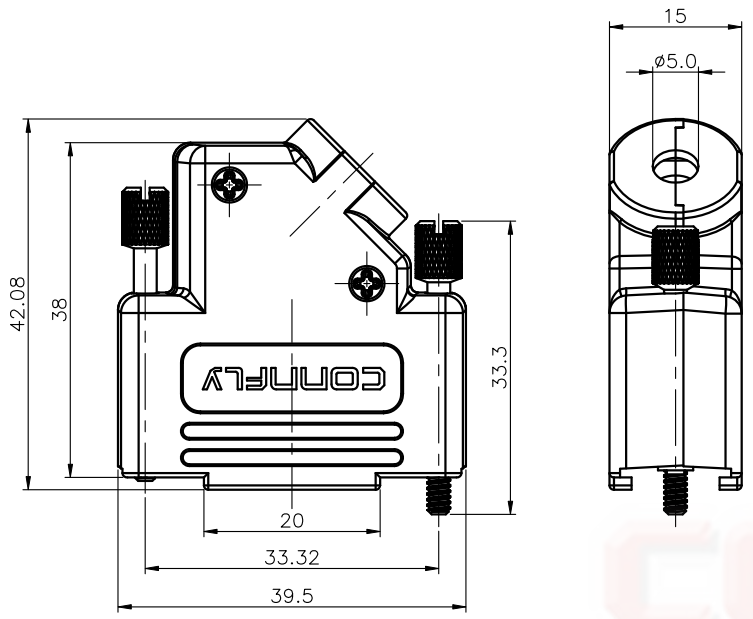
GENERAL TOLERANCE		ANGLE TOLERANCE	
X.	±0.60	X.	±5°
.X	±0.38	.X	±3°
.XX	±0.25	.XX	±2°

PROJECTION	TITLE	D-SUB 9pin Metal Hoods Large Angled(45°) Cable Outlet	
UNITS	mm	SHEET SIZE	A4
SHEET SIZE	A4	SERIES	DS1047-04 SERIES

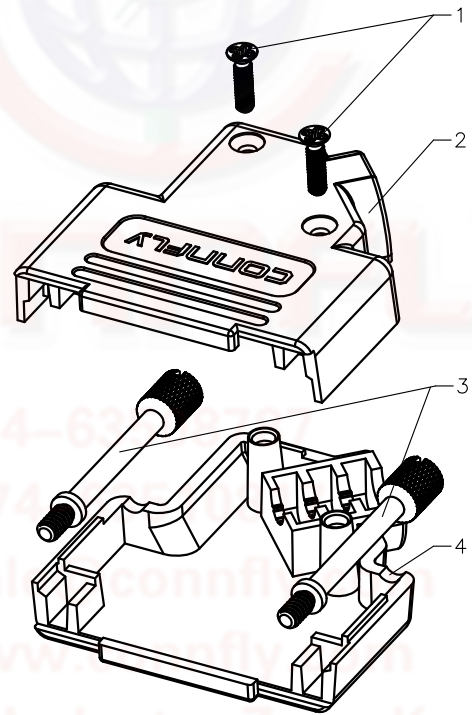
DRAWING TYPE	COSTOMER		
SCALE	1:1	SHEET	1 OF 1
DRAWING NO.	C-DS1047-04-09XX-X-B		


晨翔电子有限公司
CONNFLY® CONNFLY ELECTRONIC CO., LTD

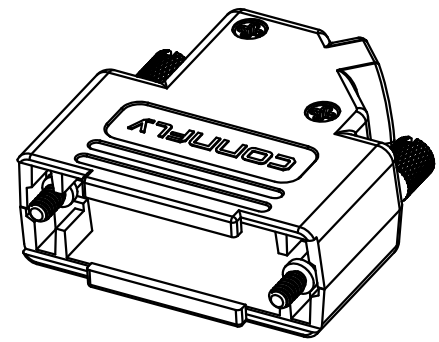
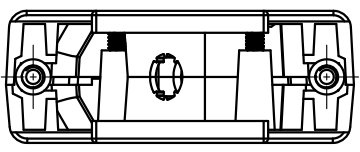
REV.	DESCRIPTION	DRAWN	CHECKED	APPROVED
A	NEW RELEASE	YCH 12/31/09'	~	LJC 12/31/09'
B	DRAWING UPDATE	JLZ 05/12/16'	HZW 05/12/16'	LJC 05/12/16'




NOTES:
 1. PART NUMBER CODE:
 DS1047-04 - 15 X X - X
 L LOGO Support
 X: W/O LOGO
 N/A: CONNFLY LOGO
 Packing type
 1: Mix packing
 2: Separation packing
 Cover Material
 M: Metal(Zinc alloy)
 Positions
 15: 15pin

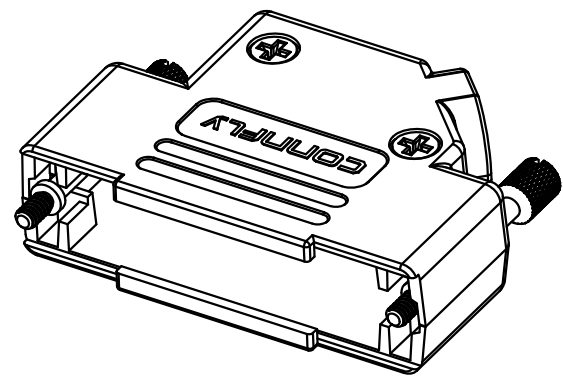
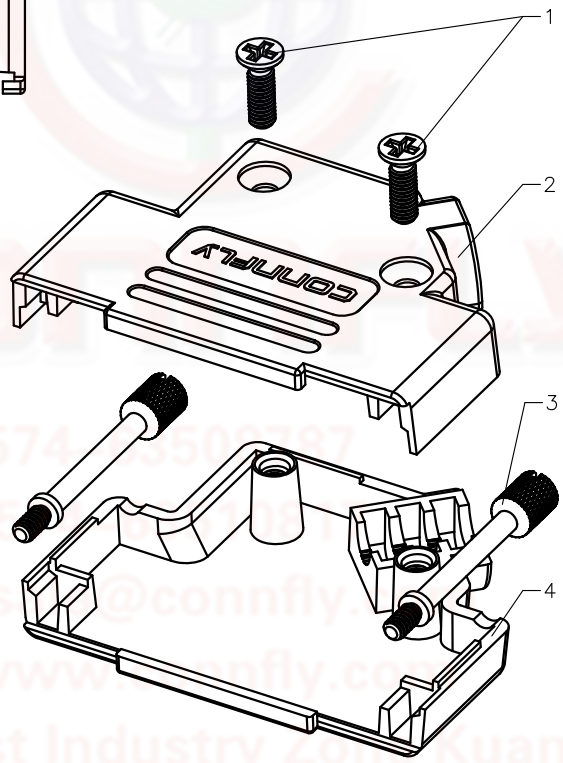
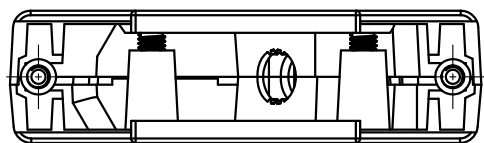
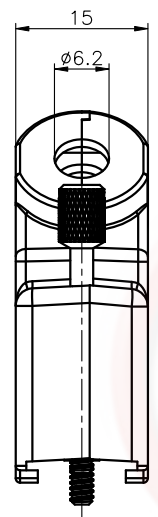
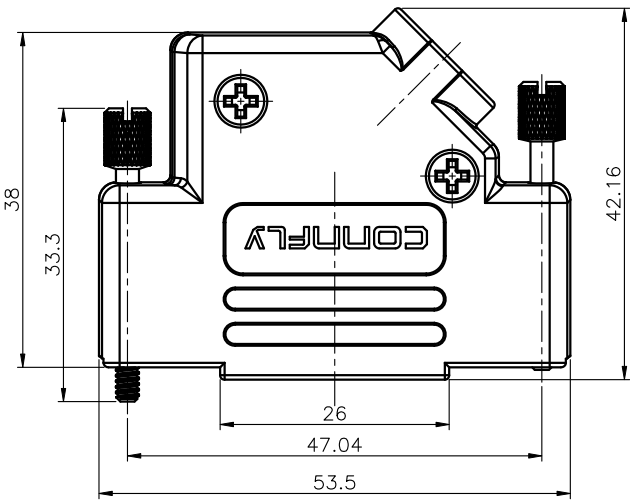


BOM LIST			
ITEM	PART NAME	Q'ty	NOTES
1	SCREW	2	M2
2	METAL HOOD-1	1	
3	BOLT	2	UNC#4-40
4	METAL HOOD-2	1	



GENERAL TOLERANCE		ANGLE TOLERANCE		PROJECTION	TITLE	D-SUB 15pin Metal Hoods Large Angled(45°) Cable Outlet	
X.	±0.60	X.	±5°	mm			
.X	±0.38	.X	±3°	A4	SERIES	DS1047-04	SERIES
.XX	±0.25	.XX	±2°				
DRAWING TYPE		COSTOMER		 晨翔电子有限公司 CONNFLY® CONNFLY ELECTRONIC CO., LTD			
SCALE		1:1					
DRAWING NO.		C-DS1047-04-15XX-X-B					

REV.	DESCRIPTION	DRAWN	CHECKED	APPROVED
A	NEW RELEASE	YCH 12/31/09'	~	LJC 12/31/09'
B	DRAWING UPDATE	JLZ 05/12/16'	HZW 05/12/16'	LJC 05/12/16'



NOTES:

1. PART NUMBER CODE:

DS1047-04 - 25 X X - X

- LOGO Support
- X: W/O LOGO
- N/A: CONNFLY LOGO
- Packing type
- 1: Mix packing
- 2: Separation packing
- Cover Material
- M: Metal(Znic alloy)
- Positions
- 25: 25pin

BOM LIST			
ITEM	PART NAME	Q'ty	NOTES
1	SCREW	2	M3
2	METAL HOOD-1	1	
3	BOLT	2	UNC#4-40
4	METAL HOOD-2	1	

GENERAL TOLERANCE		ANGLE TOLERANCE	
X.	±0.60	X.	±5°
.X	±0.38	.X	±3°
.XX	±0.25	.XX	±2°

PROJECTION	TITLE	D-SUB 25pin Metal Hoods Large Angled(45°) Cable Outlet	
UNITS	mm	SERIES	DS1047-04 SERIES
SHEET SIZE	A4		

DRAWING TYPE	COSTOMER		
SCALE	1:1	SHEET	1 OF 1
DRAWING NO.	C-DS1047-04-25XX-X-B		

晨翔电子有限公司
CONNFLY® CONNFLY ELECTRONIC CO., LTD

Tel:86-574-5505877
 Fax:86-574-5505877
 E-mail:sales@connfly.com
 http://www.connfly.com
 Add:East Industry Zone,GuangYan
 T:315000
 P.C:31

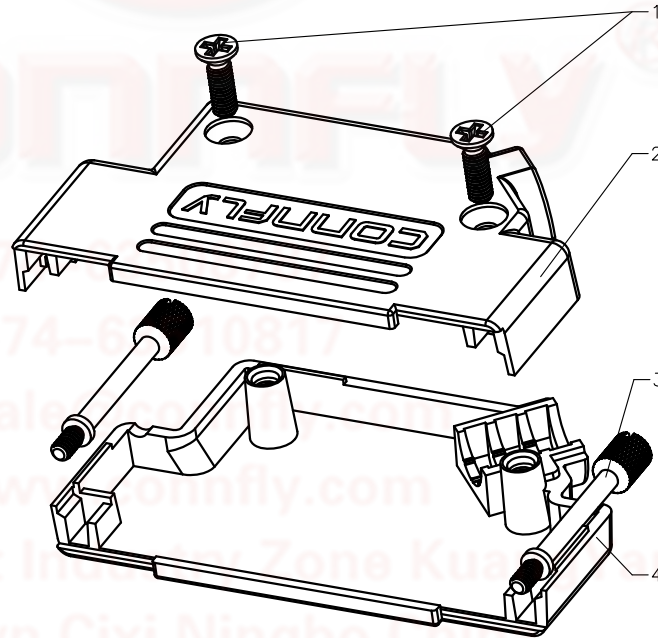
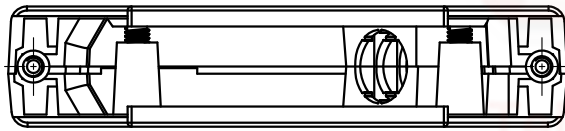
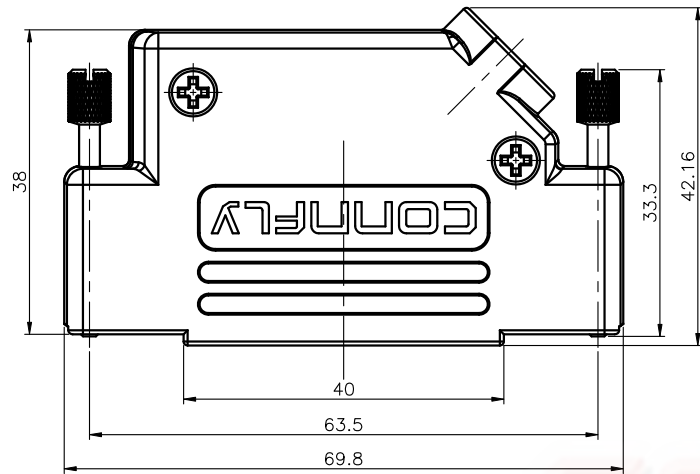
REV.	DESCRIPTION	DRAWN	CHECKED	APPROVED
A	NEW RELEASE	YCH 12/31/09'	~	LJC 12/31/09'
B	DRAWING UPDATE	JLZ 05/12/16'	HZW 05/12/16'	LJC 05/12/16'

NOTES:

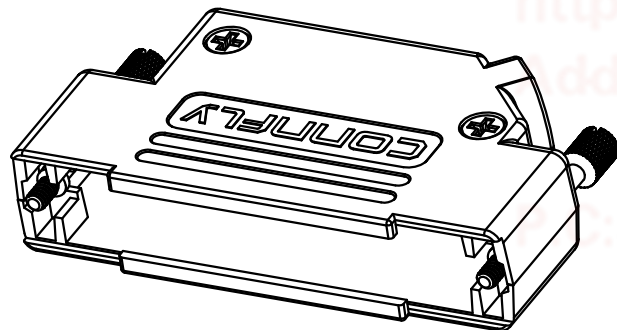
1. PART NUMBER CODE:

DS1047-04 - 37 X X - X

- LOGO Support
- X: W/O LOGO
- N/A: CONNFLY LOGO
- Packing type
- 1: Mix packing
- 2: Separation packing
- Cover Material
- M: Metal(Znic alloy)
- Positions
- 37: 37pin




BOM LIST			
ITEM	PART NAME	Q'ty	NOTES
1	SCREW	2	M3
2	METAL HOOD-1	1	
3	BOLT	2	UNC#4-40
4	METAL HOOD-2	1	



GENERAL TOLERANCE		ANGLE TOLERANCE	
X.	±0.60	X.	±5°
.X	±0.38	.X	±3°
.XX	±0.25	.XX	±2°

PROJECTION	TITLE	D-SUB 37pin Metal Hoods Large Angled(45°) Cable Outlet	
UNITS	mm	SERIES	DS1047-04 SERIES
SHEET SIZE	A4		

DRAWING TYPE	CUSTOMER		
SCALE	1:1	SHEET	1 OF 1
DRAWING NO.	C-DS1047-04-37XX-X-B		

 晨翔电子有限公司
CONNFLY® CONNFLY ELECTRONIC CO., LTD