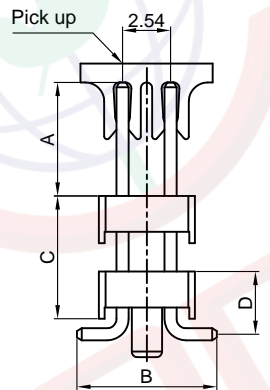
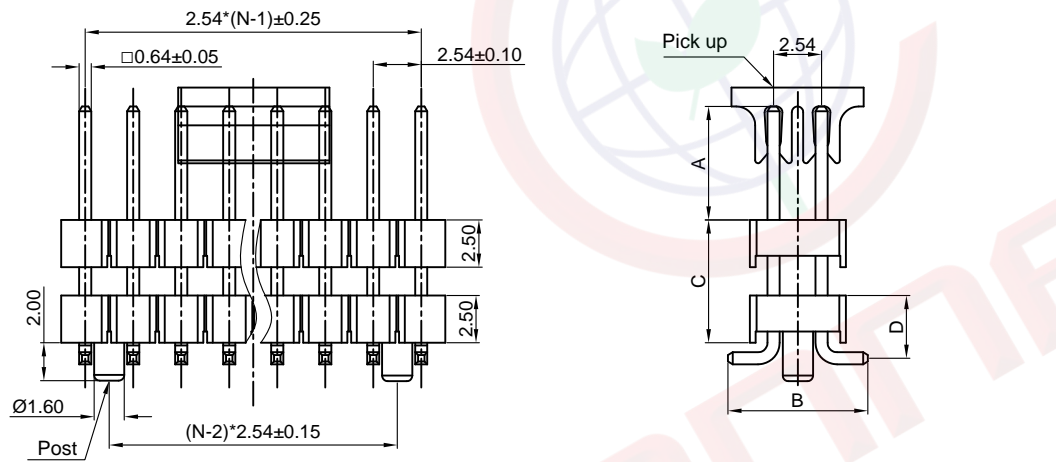
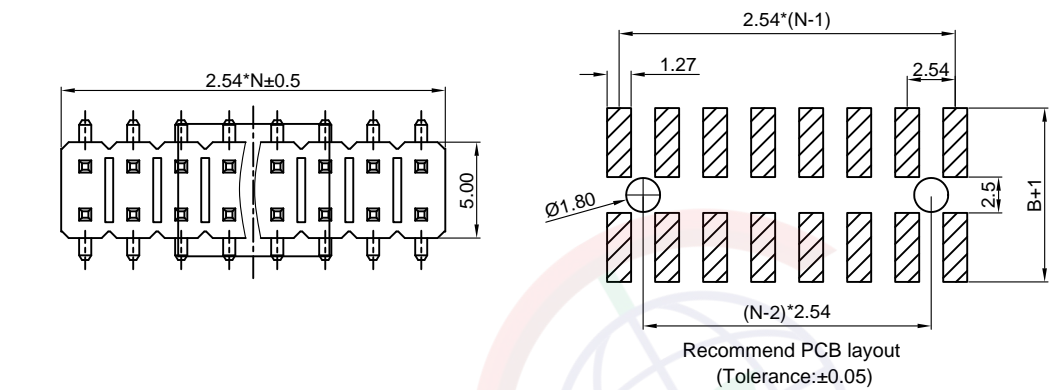
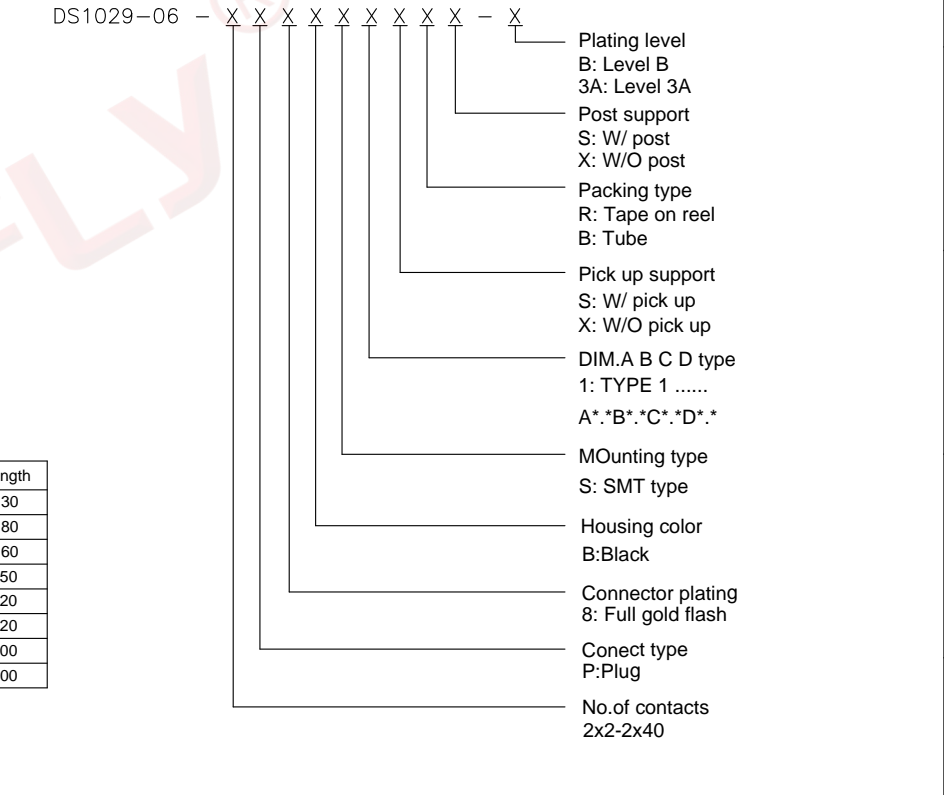


Dept	
Qty	
DC	1
ED	1
IE	1
ISO	1
PD	1
R&D	1
SD	1
QA	1
QC	1
QF	1

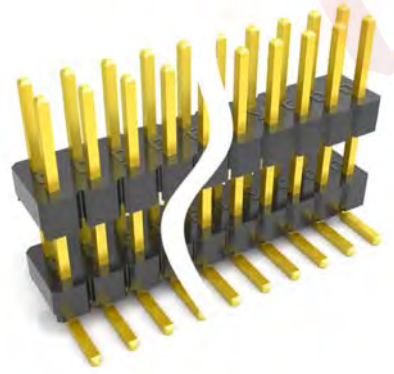
The information provided herein is from CONNFLY Electronic Co., Ltd. and is confidential. Any disclosure to a party other than the recipient is prohibited. The intellectual properties and its rights of CONNFLY Electronic Co., Ltd. are reserved. CONNFLY Electronic Co., Ltd. does not warrant the accuracy of the information provided herein. CONNFLY Electronic Co., Ltd. does not assume any liability for any damages or losses, in any form or manner, resulting from the use of the information provided herein. CONNFLY Electronic Co., Ltd. reserves the right to modify the information provided herein without notice. CONNFLY Electronic Co., Ltd. does not assume any liability for any damages or losses, in any form or manner, resulting from the use of the information provided herein. CONNFLY Electronic Co., Ltd. reserves the right to modify the information provided herein without notice.

REV.	DESCRIPTION	DRAWN	CHECKED	APPROVED
A	NEW RELEASE	LL 09/12/06'		LJC 09/12/06'
D	DRAWING UPDATE	JLZ 09/10/19'		

- Notes:
- Electrical Characteristics:
 - Contact Resistance: 20mΩ Max.
 - Dielectric Withstanding Voltage: 600V AC(rms) For 1 Minute.
 - Insulation Resistance: 1000MΩ Min.
 - Current Rating:3A.
 - Environment Characteristics:
 - Temperature: -40°C~+105°C.
 - Materials:
 - Contact Material: Copper Alloy.
 - Contact Plating: Gold Plating Over Nickel.
 - Insulator Materials: High temp,Black,UL94-V0.
 - Product Number Code:



Type	DIM A	DIM B	DIM C	DIM D	Pin length
1	6.00	7.40	6.50	3.36	15.30
2	6.00	7.40	15.00	3.36	23.80
3	5.80	7.40	6.50	3.81	15.60
4	8.00	7.62	17.70	3.36	28.50
5	11.00	7.40	7.36	3.36	21.20
6	11.40	7.40	6.40	3.90	21.20
7	10.50	7.40	15.86	3.36	29.00
8	10.50	7.40	13.86	3.36	27.00



(Series Image-Reference Only)

GENERAL TOLERANCE	ANGLE TOLERANCE	PROJECTION		TITLE	2.54mm Pin Header Double Row SMT Type
X. ±0.60	X. ±5°	UNITS	mm	SHEET SIZE	A4
.X ±0.38	.X ±3°	SHEET SIZE	A4	SERIES	DS1029-06 SERIES
.XX ±0.25	.XX ±2°	晨翔电子有限公司 CONNFLY CONNFLY ELECTRONIC CO. LTD			
DRAWING TYPE	CUSTOMER				
SCALE	1:1				
DRAWING NO.	C-DS1029-06-XXXXXX-X-D				