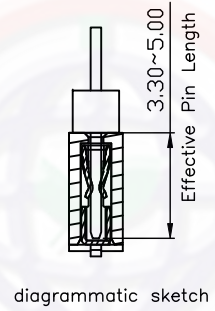
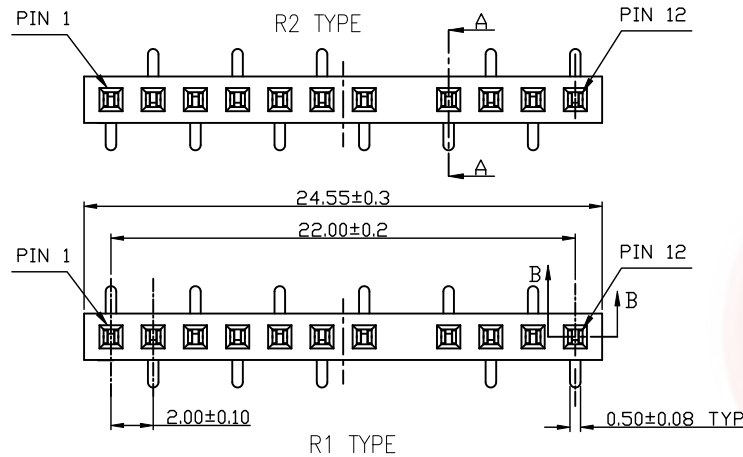


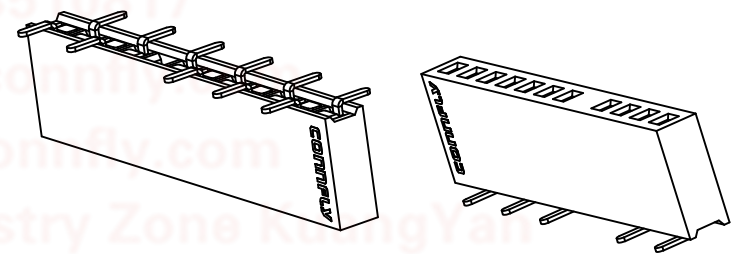
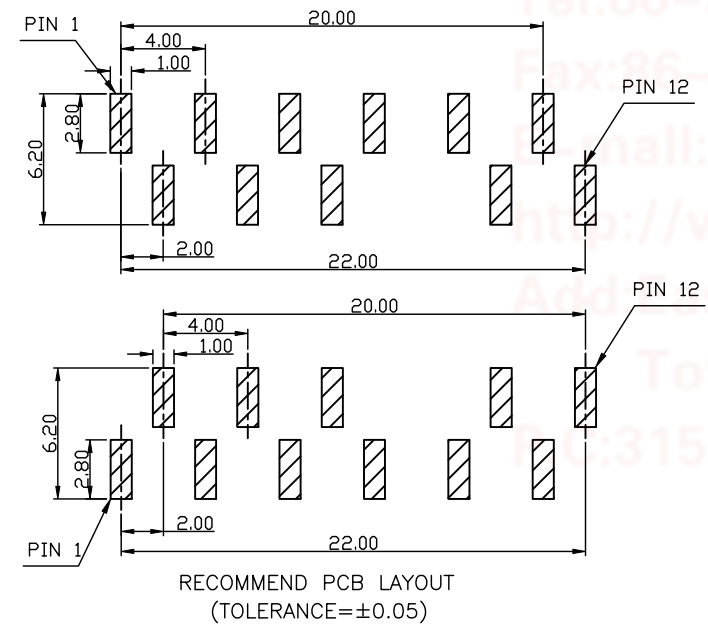
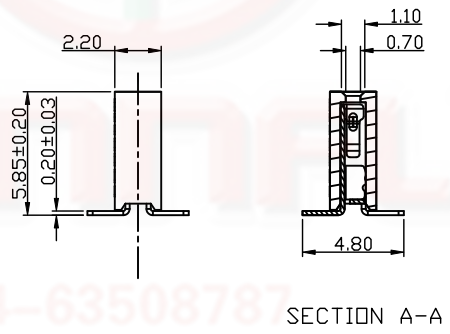
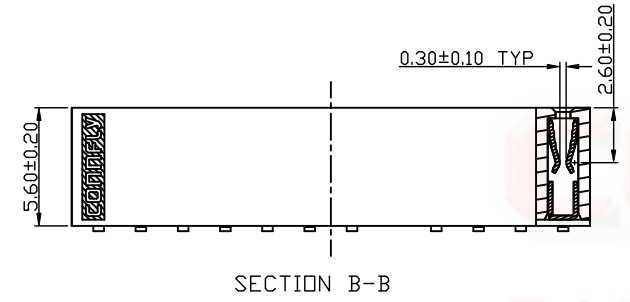
REV.	DESCRIPTION	DRAWN	CHECKED	APPROVED
A	NEW RELEASE	Kevin 06/06/17'	Andy_H 06/06/17'	LJC 06/06/17'



- NOTES:
- ELECTRICAL CHARACTERISTICS:
 - CONTACT RESISTANCE: 20mΩ Max. INITIAL.
 - DIELECTRIC WITHSTANDING VOLTAGE: 500V AC(rms) FOR 1 MINUTE.
 - INSULATION RESISTANCE: 1000MΩ Min.
 - ENVIRONMENT CHARACTERISTICS:
 - TEMPERATURE: -40°C~+105°C.
 - PART NUMBER: DS1026-24
 - PRODUCT NUMBER CODE:


DS1026-24 - X X S X X X -F1P

- Part type
- BLOCK PIN
- Bend type
- 1:R1 Type
- 2:R2 Type
- HOUSING COLOR
- B:BLACK
- CONTACT PLATING
- 8: FULL GOLD FLASH
- CONTACTS TYPE
- S:SMT TYPE
- CONNECTOR TYPE
- S:SOCKET
- No.OF CONTACTS
- 1*12-12PIN
- SERIES No.
- DS1026-24



GENERAL TOLERANCE		ANGLE TOLERANCE	
X.	±0.60	X.	±5°
.X	±0.38	.X	±3°
.XX	±0.25	.XX	±2°
DRAWING TYPE		CUSTOMER	
SCALE		1:1	SHEET 1 OF 1
DRAWING NO.		C-DS1026-24-XXSXXX-F1P-A	

PROJECTION	TITLE	FEMALE HEADER PITCH 2.0mm SMT TYPE	
UNITS	mm		
SHEET SIZE	A4	SERIES	DS1026-24 SERIES

 **晨翔电子有限公司**
CONNFLY CONNFLY ELECTRONIC CO. LTD