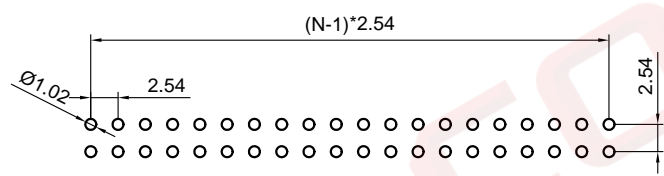
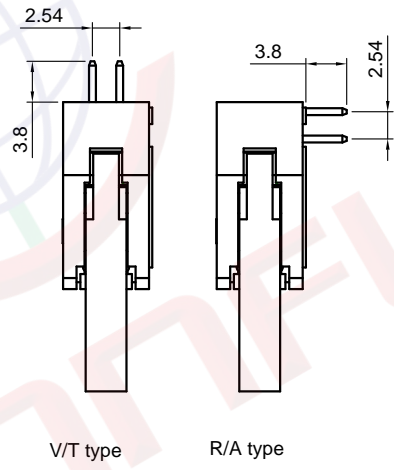
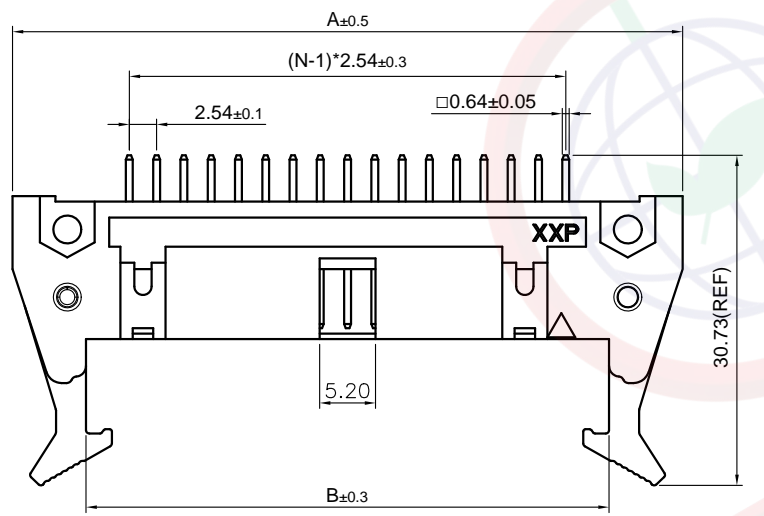
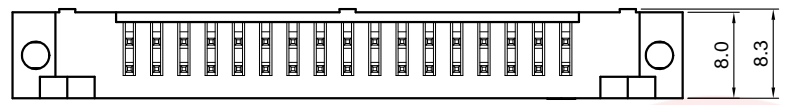


Dept	
Qty	
DC	1
ED	1
IE	1
ISO	1
PD	1
R&D	1
SD	1
QA	1
QC	1
QE	1

REV.	DESCRIPTION	DRAWN	CHECKED	APPROVED
A	NEW RELEASE	YCH 04/10/08'		LJC 04/10/08'
B	DRAWING UPDATE	YCH 11/17/08'		LJC 11/17/08'
C	DRAWING UPDATE	JLZ 08/22/18'		

The information provided herein is from CONNELY Electronic Co., Ltd. and is confidential. Any disclosure to a party other than the recipient is prohibited. The intellectual properties and its rights contained herein, including but not limited to, trademarks, patents, copyrights, trade secrets, and technical know-how, are owned exclusively by CONNELY or its affiliates. Unauthorized use or reproduction of any part of this document is strictly prohibited. CONNELY may enforce its intellectual property rights at its own discretion, failures or delays in exercising such rights does not constitute a waiver of such rights.



Recommend PCB layout(Tolerance:±0.05)



(Series Image-Reference Only)

NOTES:

- Specification
 - Temperature range:-40~105°C
 - Contact Resistance:20mΩ max.
 - Insulation Resistance:1,000MΩ min
 - Dielectric Withstanding Voltage:
 - AC 500V Per Minute

2.Product number code:

DS1011-03 - X X X X

- Housing Color
 - B: Black
 - L: Blue
- Contact Plating
 - 8: All Gold Flash
- Mounting Type
 - R: R/A type
 - V: V/T type
- No.of Contacts
 - 10 14 16 20
 - 26 30 34 40
 - 50 60 64

No.of Contacts	10	14	16	20	26	30	34	40	50	60	64
A	31.92	37.00	39.54	44.62	52.24	57.32	62.40	70.02	82.72	95.42	100.50
B	18.22	23.30	25.84	30.92	38.54	43.62	48.70	56.32	69.02	81.72	86.80

GENERAL TOLERANCE		ANGLE TOLERANCE		PROJECTION		TITLE	
X.	±0.60	X.	±5°	UNITS	mm	SHOUEDED HEADER PITCH 2.54mm	
.X	±0.38	.X	±3°	SHEET SIZE	A4	SERIES	DS1011-03 SERIES
.XX	±0.25	.XX	±2°	晨翔电子有限公司 CONNFLY CONNELY ELECTRONIC CO. LTD			
DRAWING TYPE		CUSTOMER					
SCALE	1:1	SHEET	1 OF 1				
DRAWING NO.		C-DS1011-03-XXXXXX-C					