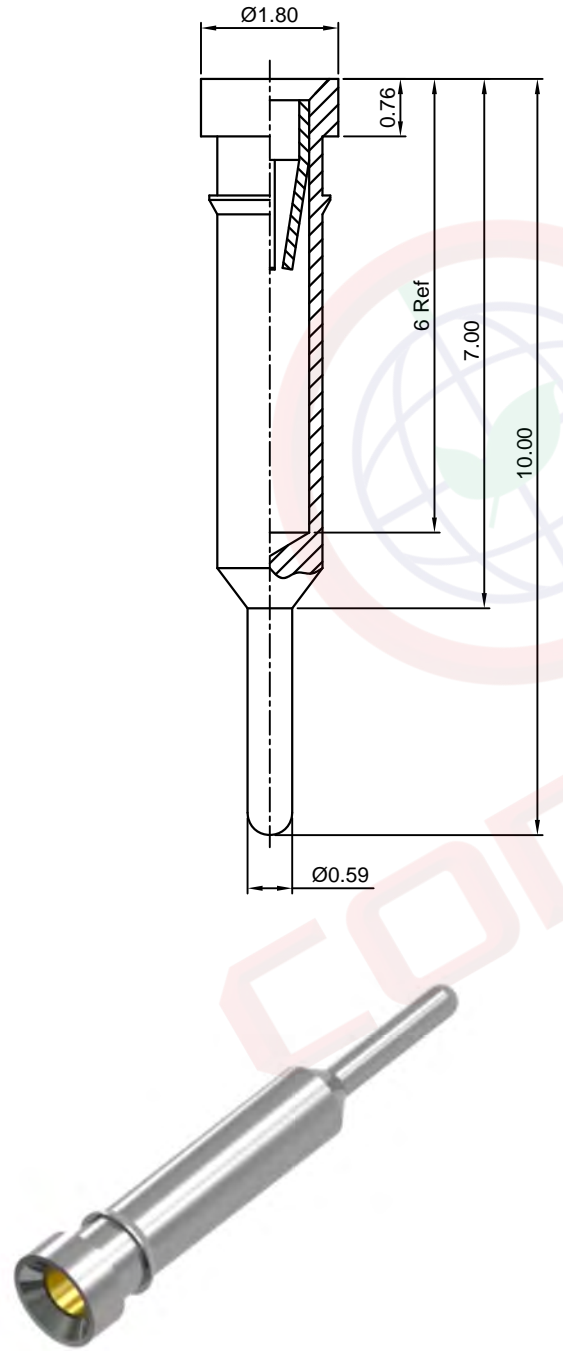


Dept	Qty
DC	1
ED	1
IE	1
ISO	1
PD	1
R&D	1
SD	1
QA	1
QC	1
QE	1

The information provided herein is from CONNELY Electronic Co., Ltd. and is confidential. Any disclosure to a party other than the recipient is prohibited. The intellectual properties and its rights contained herein, including but not limited to, trademarks, patents, copyrights, trade secrets, and technical know-how, are owned exclusively by CONNELY or its affiliates. Unauthorized use or reproduction of any part of this document, in any form or by any means, without the prior written permission of CONNELY is strictly prohibited. CONNELY may enforce its intellectual property rights at its own discretion, failures or delays to exercise such rights does not constitute a waiver of such rights.

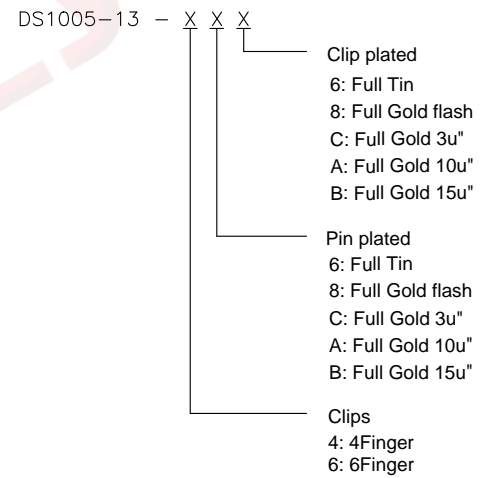


(Series Image-Reference Only)

REV.	DESCRIPTION	DRAWN	CHECKED	APPROVED
A	NEW RELEASE	HP 07/12/05'		LJC 07/12/05'
B	DRAWING UPDATE	JLZ 07/30/18'		

Technical data

- Material
  - Pin(Outer Sleeve): Brass,Machined,CuZn38Pb2
  - Clip(Contact 4/6 Finger): Copper alloy,Heat Treated
- Electrical
  - Current Rating: 3A max.
  - Contact Resistance: 20mΩ max.
- Mechanical
  - \*Average Insertion Force With Steel Pin of Ø0.43mm/0.017":  
4-Finger 270g max , 6-Finger 120g max
  - \*Average Withdrawal Force With Steel Pin of Ø0.50mm/0.020":  
4-Finger 25g min , 6-Finger 15g min
  - \*Mechanical Life: min 200 Cycles
- Product number code:



GENERAL TOLERANCE		ANGLE TOLERANCE		PROJECTION		TITLE	
X.	±0.60	X.	±5°	UNITS	mm	SOCKET TERMINALS 10mm	
.X	±0.38	.X	±3°	SHEET SIZE	A4	SERIES	DS1005-13 SERIES
.XX	±0.25	.XX	±2°	<b>晨翔电子有限公司</b> <b>CONNELY ELECTRONIC CO. LTD</b>			
DRAWING TYPE		CUSTOMER					
SCALE	1:1	SHEET	1 OF 1				
DRAWING NO.		C-DS1005-13-XXX-B					