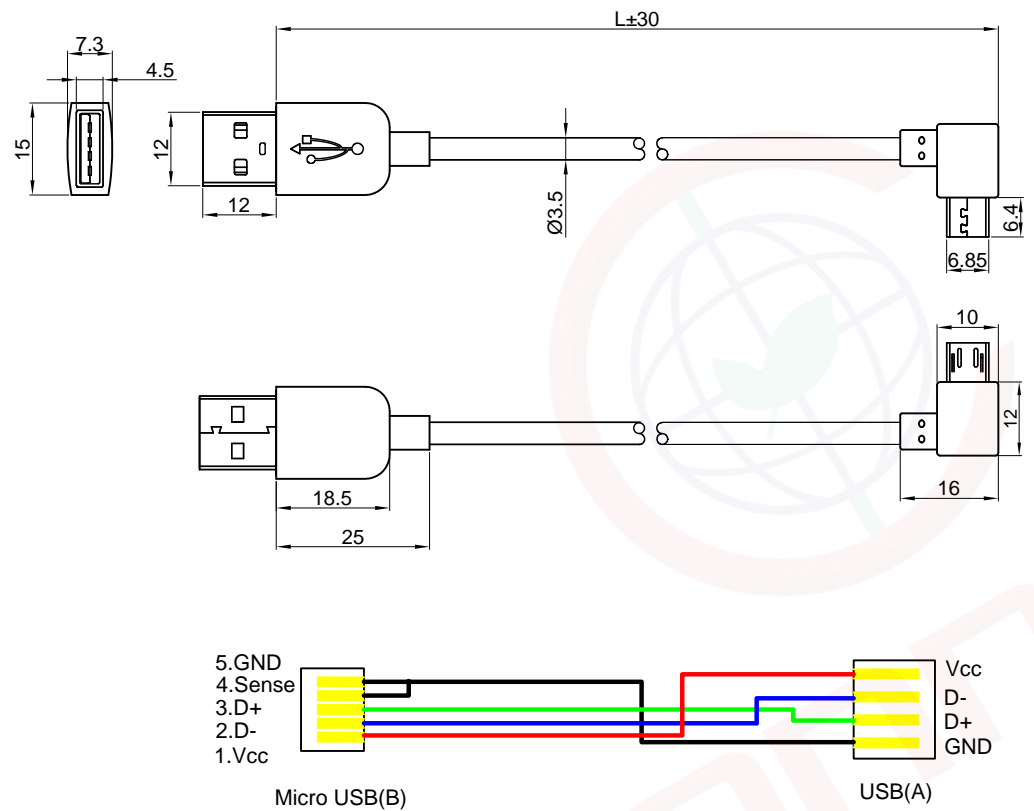


Dept	
Qty	
DC	1
ED	1
IE	1
ISO	1
PD	1
R&D	1
SD	1
QA	1
QC	1
QE	1

The information provided herein is from CONNELY Electronic Co., Ltd. and is confidential. Any disclosure to a party other than the recipient is prohibited. The intellectual properties and its rights contained herein, including but not limited to, trademarks, patents, copyrights, trade secrets, and technical know-how, are owned exclusively by CONNELY or its affiliates. Unauthorized use or reproduction of any part of this document is strictly prohibited. CONNELY reserves the right to make changes to the product specifications and drawings without notice. CONNELY may enforce its intellectual property rights at its own discretion, failures or delays to exercise such rights does not constitute a waiver of such rights.

REV.	DESCRIPTION	DRAWN	CHECKED	APPROVED
A	NEW RELEASE	JLZ 05/20/22'		



NOTES:

Specifications:

1. Contact resistance: 20Ω/m Max.
2. Insulation resistance: 10MΩ Min.
3. Temperature: -40°C~+85°C.

Materials:

1. Cable:28AWG.
2. Connector: USB + Micro USB Male
Insulator: PBT White & Black
Pin: Copper alloy,Gold&Tin over Nickel
Shell:Steel,Nickel
3. PVC Molded: Black or White.

Product number code:

DS1163-05 - X X

— Cable Length(Dim L)
0200:200mm 0500:500mm
.....

— Colour of Molded
B:Black
W:White



(Series Image-Reference Only)

GENERAL TOLERANCE		ANGLE TOLERANCE		PROJECTION		TITLE	USB 4P(A)/M-Micro USB 5P(B)/M Data Cable	
X.	±0.60	X.	±5°	UNITS	mm			
.X	±0.38	.X	±3°	SHEET SIZE	A4	SERIES	DS1163-05 SERIES	
.XX	±0.25	.XX	±2°					
DRAWING TYPE		CUSTOMER		晨翔电子有限公司 CONNELY ELECTRONIC CO., LTD				
SCALE		1:1						
DRAWING NO.		C-DS1163-05-XX-A						
		SHEET	1 OF 1					