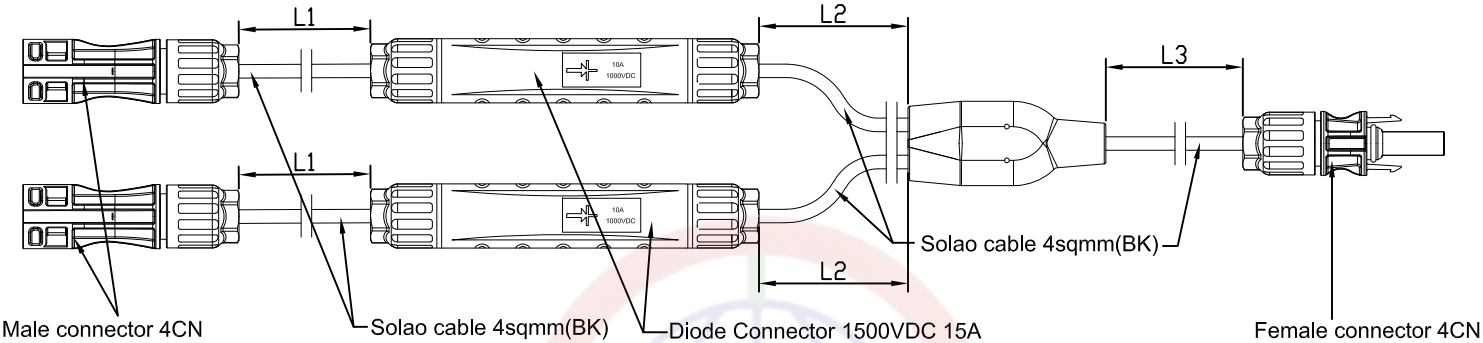


The information provided herein is from CONNELY Electronic Co., Ltd. and is confidential. Any disclosure to a party other than the recipient is prohibited. The intellectual properties and its rights of CONNELY Electronic Co., Ltd. are reserved. All intellectual properties provided herein are for reference purposes only and does not constitute authorization of its use in any format or manner. CONNELY may enforce its intellectual property rights at its own discretion; failures or delays to exercise such rights does not constitute a waiver of such rights.

REV.	DESCRIPTION	DRAWN	CHECKED	APPROVED
A	NEW RELEASE	WPY 09/20/24'		



- Note:**
- Specifications:**
- Contact Resistance: 0.25mΩMax
  - Rated Impulse voltage: 16KV
  - Test volatge: 8Kv(50Hz,1min)
  - Overvoltage category/Pollution degree: CATIII/2
  - Ambient temperature range: -40℃~+85℃
  - Upper limiting temperature: 110℃
  - Connecting system:Crimp connection
  - Safety degree:II

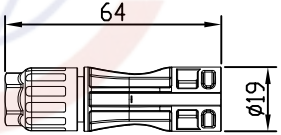
**Support customize the cable length**

- Materials:**
- Contact material: COPPER,Tin plated
  - Insulation material: PPE/TPE/PA
  - Degree of protection: IP68(1M,1H)
  - Flame class: UL94-V0

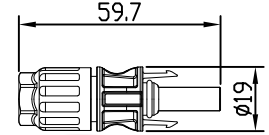
Product number code:  
DS1162-57-X X X X X X X

- Line length (Dim L3):  
100:100mm 200:200mm 300:300mm ...
- Line length (Dim L2):  
100:100mm 200:200mm 300:300mm ...
- Line length (Dim L1):  
100:100mm 200:200mm 300:300mm ...
- Rated current:  
10:10A 15:15A 20:20A 25:25A 30:30A
- Match type:  
F:Fuse D:Diode
- Cable size:  
2.5:2.5mm<sup>2</sup> 4:4mm<sup>2</sup> 6:6mm<sup>2</sup>
- Voltage Rating:  
1: 1000VDC 2: 1500VDC
- Connector type:  
1: 1Female+2Male  
2: 1Male+2Female

**1500VDC PV4.0 Cable Connector**

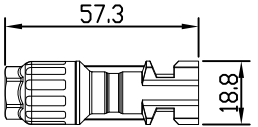


**Male Connector**

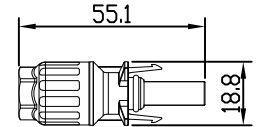


**Female Connector**

**1000VDC PV4.0 Diode Connector**



**Male Connector**



**Female Connector**

GENERAL TOLERANCE		ANGLE TOLERANCE	
X.	±0.60	X.	±5°
.X	±0.38	.X	±3°
.XX	±0.25	.XX	±2°

PROJECTION	TITLE	TITLE	
UNITS	mm	PV 2 to 1 YH Type Cable Assembly With Solar Connector With Diode	
SHEET SIZE	A4	SERIES	DS1162-57 SERIES

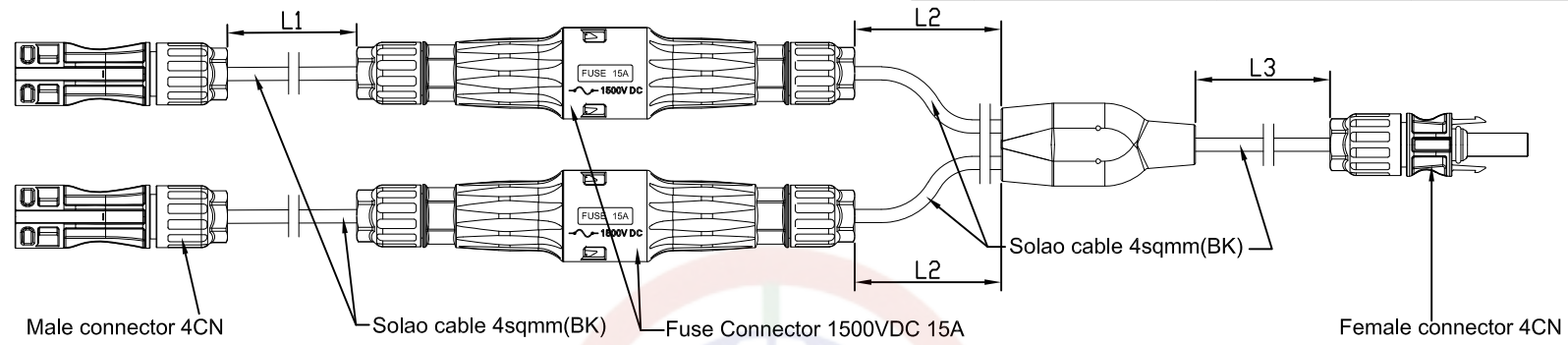
DRAWING TYPE	CUSTOMER		
SCALE	1:1	SHEET	2 OF 2
DRAWING NO.	C-DS1162-57-XXXXXXXX-A		

**晨翔电子有限公司**  
**CONNELY CONNELY ELECTRONIC CO. LTD**

The information provided herein is from CONNELY Electronic Co., Ltd. and is confidential. Any disclosure to a party other than the recipient is prohibited. The intellectual properties and its rights of CONNELY Electronic Co., Ltd. are strictly protected. All intellectual properties provided herein are for reference purposes only and does not constitute authorization of its use in any format or manner. CONNELY may enforce its intellectual property rights at its own discretion; failures or delays to exercise such rights does not constitute a waiver of such rights.

Dept	1	2	3	4	5	6	7	8
Qty								
DC	1							
ED	1							
IE	1							
ISO	1							
PD	1							
R&D	1							
SD	1							
QA	1							
QC	1							
QE	1							

REV.	DESCRIPTION	DRAWN	CHECKED	APPROVED
A	NEW RELEASE	WPY 09/20/24'		



- Note:**
- Specifications:**
- Contact Resistance: 0.25mΩMax
  - Rated Impulse voltage: 16KV
  - Test volatge: 8Kv(50Hz,1min)
  - Overvoltage category/Pollution degree: CATIII/2
  - Ambient temperature range: -40℃~+85℃
  - Upper limiting temperature: 110℃
  - Connecting system:Crimp connection
  - Safety degree:II

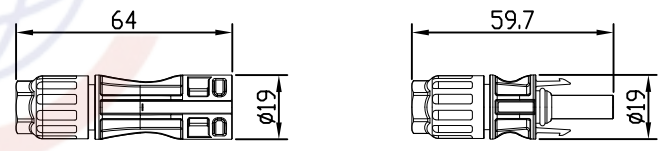
## Support customize the cable length

- Materials:**
- Contact material: COPPER,Tin plated
  - Insulation material: PPE/TPE/PA
  - Degree of protection: IP68(1M,1H)
  - Flame class: UL94-V0

Product number code:  
DS1162-57-X X X X X X X

- Line length (Dim L3):  
100:100mm 200:200mm 300:300mm ...
- Line length (Dim L2):  
100:100mm 200:200mm 300:300mm ...
- Line length (Dim L1):  
100:100mm 200:200mm 300:300mm ...
- Rated current:  
10:10A 15:15A 20:20A 25:25A 30:30A
- Match type:  
F:Fuse D:Diode
- Cable size:  
2.5:2.5mm<sup>2</sup> 4:4mm<sup>2</sup> 6:6mm<sup>2</sup>
- Voltage Rating:  
1: 1000VDC 2: 1500VDC
- Connector type:  
1: 1Female+2Male  
2: 1Male+2Female

### 1500VDC PV4.0 Cable Connector



Male Connector Female Connector

### 1000VDC PV4.0 Diode Connector



Male Connector Female Connector

GENERAL TOLERANCE	ANGLE TOLERANCE	PROJECTION		TITLE	PV 2 to 1 YH Type Cable Assembly With Solar Connector With Fuse
X. ±0.60	X. ±5°	UNITS	mm	SHEET SIZE	A4
.X ±0.38	.X ±3°			SERIES	DS1162-57 SERIES
.XX ±0.25	.XX ±2°				
DRAWING TYPE	CUSTOMER				
SCALE	1:1	SHEET	1 OF 2		
DRAWING NO.	C-DS1162-57-XXXXXXXX-A		CONNELY CONNELY ELECTRONIC CO. LTD		

晨翔电子有限公司

CONNELY CONNELY ELECTRONIC CO. LTD