

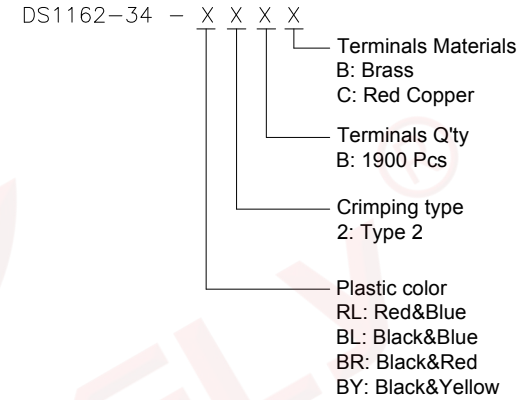
The information provided herein is from CONNELY Electronic Co., Ltd. and is confidential. Any disclosure to a party other than the recipient is prohibited. The intellectual properties and its rights are reserved by CONNELY Electronic Co., Ltd. and its affiliates. All intellectual properties provided herein are for reference purposes only and does not constitute authorization of its use in any format or manner. CONNELY may enforce its intellectual property rights at its own discretion; failures or delays to exercise such rights does not constitute a waiver of such rights.



REV.	DESCRIPTION	DRAWN	CHECKED	APPROVED
A	NEW RELEASE	JLZ 09/06/23'		

Notes:

Product Size: For 0.25mm²-6mm² Cable.
 Product Material: Carbon Steel, Plastic.
 Crimping tool is specially used for installation of Cord End Terminals.
 It will be much helpful to save energy to install at site.
 Product Number Code:



GENERAL TOLERANCE		ANGLE TOLERANCE		PROJECTION	TITLE
X.	±0.60	X.	±5°		Cord End Terminals Crimping Tool Kit 6-6A Type
.X	±0.38	.X	±3°	mm	
.XX	±0.25	.XX	±2°	A4	SERIES DS1162-34 SERIES
DRAWING TYPE		CUSTOMER		晨翔电子有限公司 CONNELY CONNELY ELECTRONIC CO. LTD	
SCALE		1:1	SHEET 2 OF 2		
DRAWING NO.		C-DS1162-34-XXXX-A			