

The information provided herein is from CONNPLY Electronic Co., Ltd. and is confidential. Any disclosure to a party other than the recipient is prohibited. The intellectual properties and its rights are strictly prohibited without prior written consent from CONNPLY. All intellectual properties provided herein are for reference purposes only and does not constitute authorization of its use in any format or manner. CONNPLY may enforce its intellectual property rights at its own discretion; failures or delays to exercise such rights does not constitute a waiver of such rights.

REV.	DESCRIPTION	DRAWN	CHECKED	APPROVED
A	NEW RELEASE	JLZ 02/25/23'		

Notes:

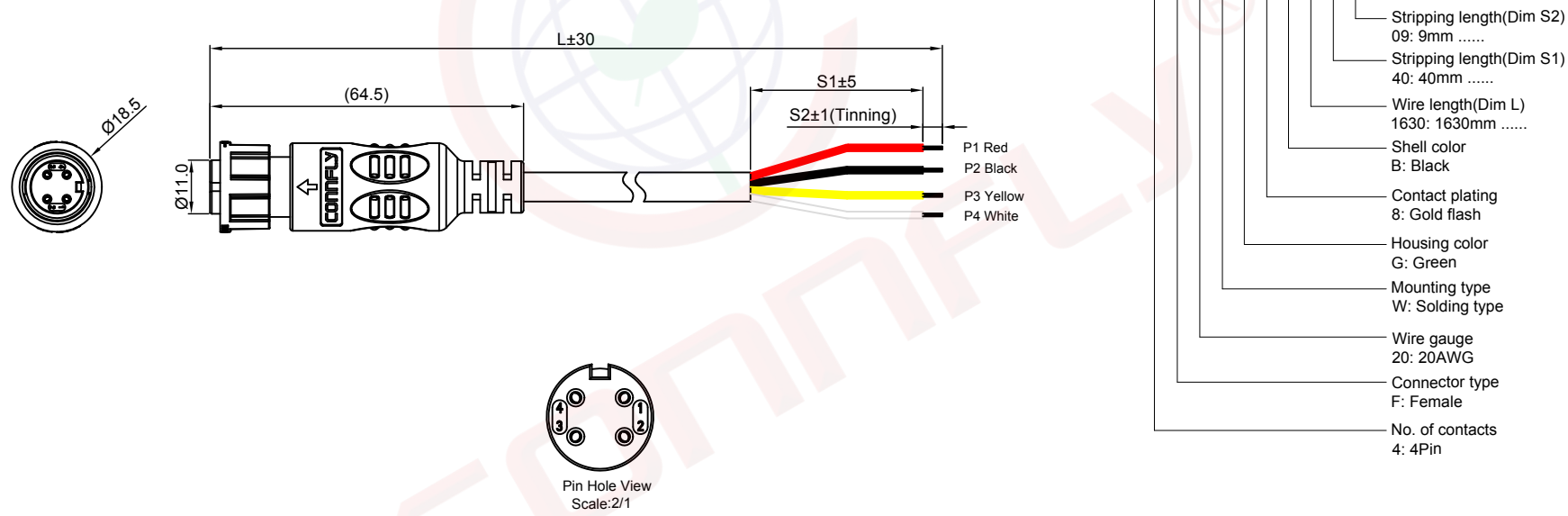
Specifications:

- Contact Resistance: 2Ω Max.
- Insulation Resistance: 500MΩ Min.
- Dielectric Withstanding Voltage: 500V AC(rms) For 1 Minute.
- Current Rating:4A.
- Voltage Rating:250V AC rms.
- Temperature: -40°C~+85°C.

Materials:

- Insulating material:Nylon.
- Contact material: Copper Alloy.

Product Number Code:
DS1162-07 - X X X X X X X X X X

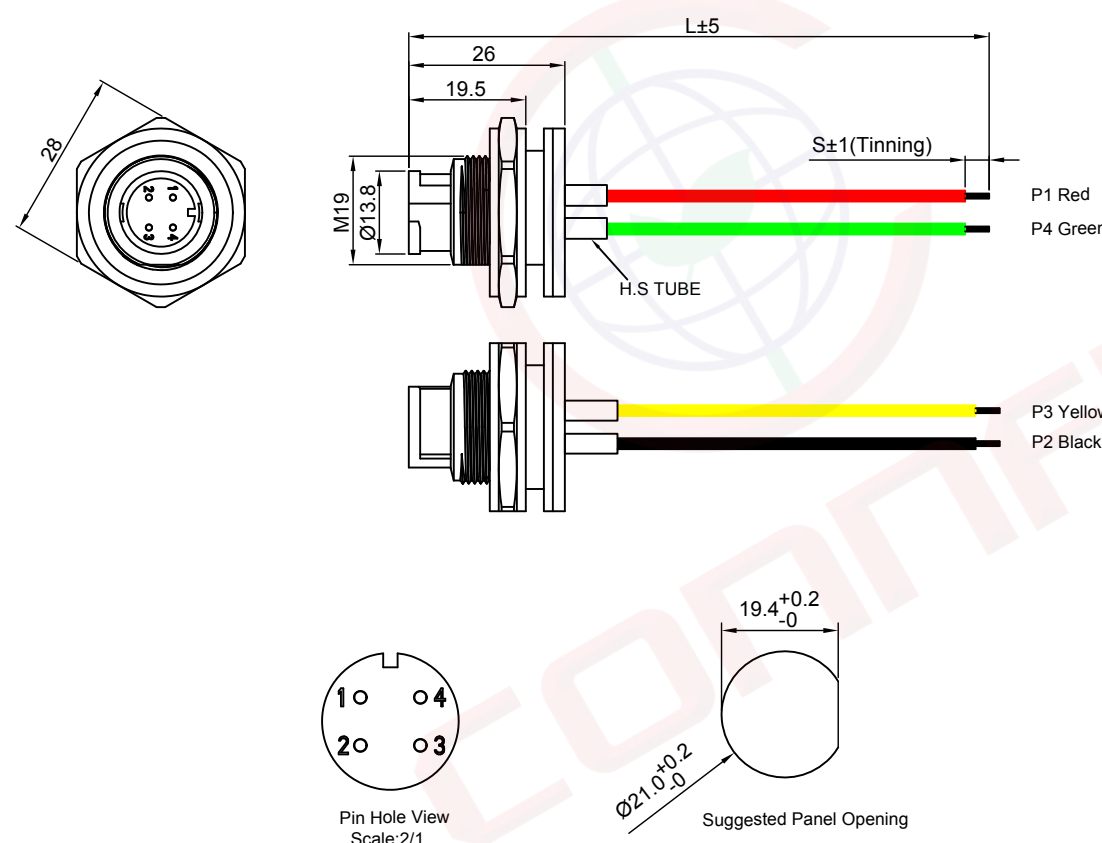


GENERAL TOLERANCE		ANGLE TOLERANCE		PROJECTION		TITLE	
X.	±0.60	X.	±5°	UNITS	mm	Solar Connectors Wire to Wire Type	
.X	±0.38	.X	±3°	SHEET SIZE	A4	SERIES	DS1162-07 SERIES
.XX	±0.25	.XX	±2°	晨翔电子有限公司 CONNPLY ELECTRONIC CO. LTD			
DRAWING TYPE		CUSTOMER					
SCALE	1:1	SHEET	1 OF 1				
DRAWING NO.		C-DS1162-07-XXXXX-A					

Dept	
Qty	
DC	1
ED	1
IE	1
ISO	1
PD	1
R&D	1
SD	1
QA	1
QC	1
QE	1

REV.	DESCRIPTION	DRAWN	CHECKED	APPROVED
A	NEW RELEASE	JLZ 02/25/23'		

The information provided herein is from CONNPLY Electronic Co., Ltd. and is confidential. Any disclosure to a party other than the recipient is prohibited. The intellectual properties and its rights are strictly prohibited without prior written consent from CONNPLY. All intellectual properties provided herein are for reference purposes only and does not constitute authorization of its use in any format or manner. CONNPLY may enforce its intellectual property rights at its own discretion; failures or delays to exercise such rights does not constitute a waiver of such rights.



Notes:

Specifications:

- Contact Resistance: 500mΩ Max.
- Insulation Resistance: 500MΩ Min.
- Dielectric Withstanding Voltage: 500V AC(rms) For 1 Minute.
- Current Rating:4A.
- Voltage Rating:250V AC rms.
- Temperature: -40°C~+85°C.

Materials:

- Insulating material:Nylon.
- Contact material: Copper Alloy.

Product Number Code:

DS1162-07 - X X X X X X X X

- Stripping length(Dim S)
09: 9mm
- Wire length(Dim L)
105: 105mm
- Cover Support
X: W/O Cover
- Contact plating
8: Gold flash
- Housing color
G: Green
- Mounting type
W: Soldering type
- Wire gauge
20: 20AWG
- Connector type
M: Male
- No. of contacts
4: 4Pin

GENERAL TOLERANCE		ANGLE TOLERANCE		PROJECTION		TITLE	
X.	±0.60	X.	±5°	UNITS	mm	Solar Connectors Wire to Wire Type	
.X	±0.38	.X	±3°	SHEET SIZE	A4	SERIES	DS1162-07 SERIES
.XX	±0.25	.XX	±2°	晨翔电子有限公司 CONNPLY ELECTRONIC CO. LTD			
DRAWING TYPE		CUSTOMER					
SCALE	1:1	SHEET	1 OF 1				
DRAWING NO.		C-DS1162-07-XXXXX-A					