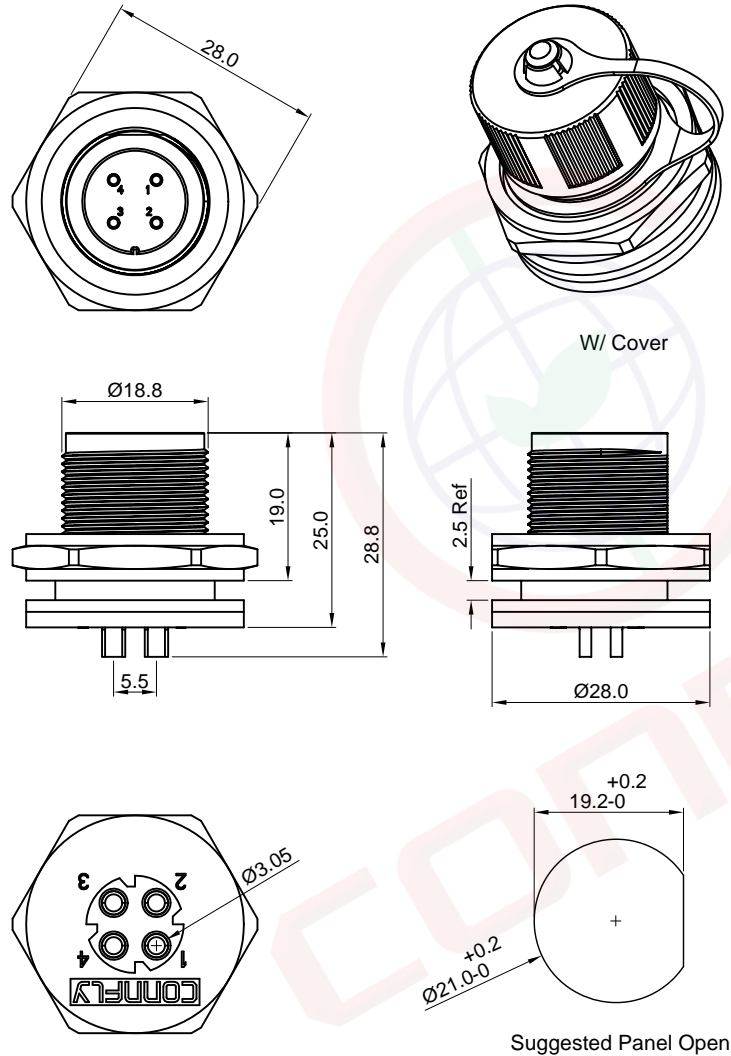


Dept	Qty
DC	1
ED	1
IE	1
ISO	1
PD	1
R&D	1
SD	1
QA	1
QC	1
QE	1

The information provided herein is from CONNELY Electronic Co., Ltd. and is confidential. Any disclosure to a party other than the recipient is prohibited. The intellectual properties and its rights contained herein, including but not limited to, trademarks, patents, copyrights, trade secrets, and technical know-how, are owned exclusively by CONNELY or its affiliates. Unauthorized use or reproduction of any part of this document is strictly prohibited. CONNELY may enforce its intellectual property rights at its own discretion, failures or delays to exercise such rights does not constitute a waiver of such rights.



(Series Image-Reference Only)

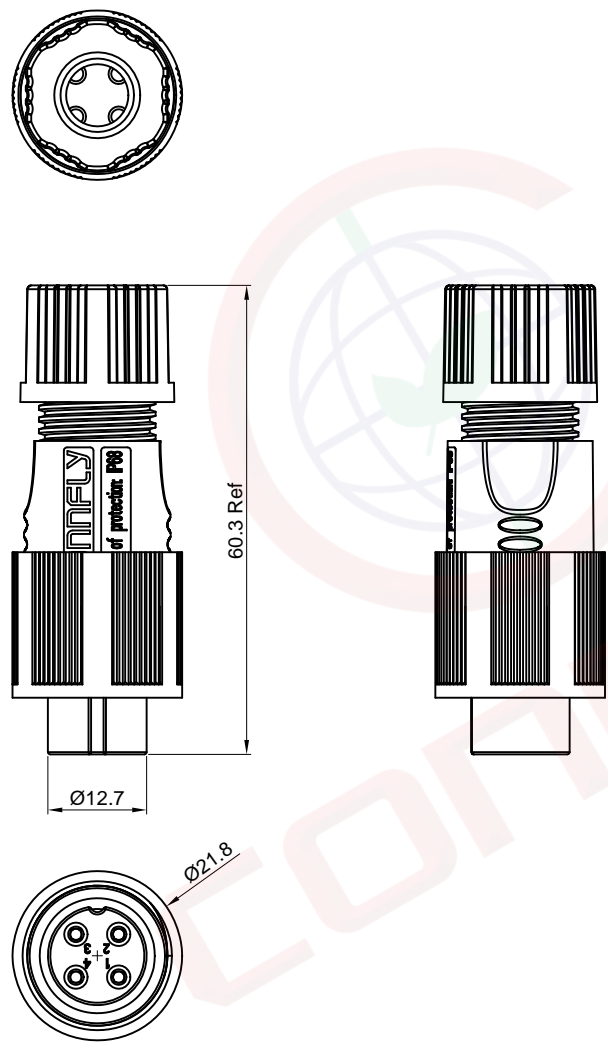
REV.	DESCRIPTION	DRAWN	CHECKED	APPROVED
A	NEW RELEASE	JLZ 05/06/22'		

- Notes:
- Specifications:
- Contact Resistance: 25mΩ Max.
 - Insulation Resistance: 1000MΩ Min.
 - Dielectric Withstanding Voltage: 1500V AC(rms) For 1 Minute.
 - Current Rating:4A.
 - Voltage Rating:1000V AC rms.
 - Temperature: -40°C~+85°C.
- Materials:
- Insulating material:Nylon.
 - Contact material: Copper Alloy.
- Product Number Code:
- DS1162-04 - X X X X X X
- X X X X X X — Cover Support
 - S: W/ Cover
 - X: W/O Cover
 - Contact plating
 - 8: Gold flash
 - Housing color
 - G: Green
 - Mounting type
 - W: Soldering type
 - Connector type
 - M: Male
 - No. of contacts
 - 4: 4Pin

GENERAL TOLERANCE		ANGLE TOLERANCE		PROJECTION		TITLE	Solar Connectors Wire to Wire Type (Male)
X.	±0.60	X.	±5°	UNITS	mm	SHEET SIZE	A4
.X	±0.38	.X	±3°	SERIES DS1162-04 SERIES			
.XX	±0.25	.XX	±2°				
DRAWING TYPE		CUSTOMER		晨翔电子有限公司 CONNFLY ELECTRONIC CO. LTD			
SCALE		1:1					
DRAWING NO.		C-DS1162-04-XXXX-A					
		SHEET	1 OF 2				

Dept	Qty
DC	1
ED	1
IE	1
ISO	1
PD	1
R&D	1
SD	1
QA	1
QC	1
QF	1

The information provided herein is from CONNELY Electronic Co., Ltd. and is confidential. Any disclosure to a party other than the recipient is prohibited. The intellectual properties and its rights contained herein, including but not limited to, trademarks, patents, copyrights, trade secrets, and technical know-how, are owned exclusively by CONNELY or its affiliates. Unauthorized use or reproduction of any part of this document is strictly prohibited. CONNELY may enforce its intellectual property rights at its own discretion, failures or delays to exercise such rights does not constitute a waiver of such rights.



(Series Image-Reference Only)

REV.	DESCRIPTION	DRAWN	CHECKED	APPROVED
A	NEW RELEASE	JLZ 05/06/22'		

- Notes:
 Specifications:
 1. Contact Resistance: 25mΩ Max.
 2. Insulation Resistance: 1000MΩ Min.
 3. Dielectric Withstanding Voltage: 1500V AC(rms)
 For 1 Minute.
 4. Current Rating:4A.
 5. Voltage Rating:1000V AC rms.
 6. Temperature: -40°C~+85°C.

- Materials:
 1. Insulating material:Nylon.
 2. Contact material: Copper Alloy.

Product Number Code:
 DS1162-04 - X X X X X X

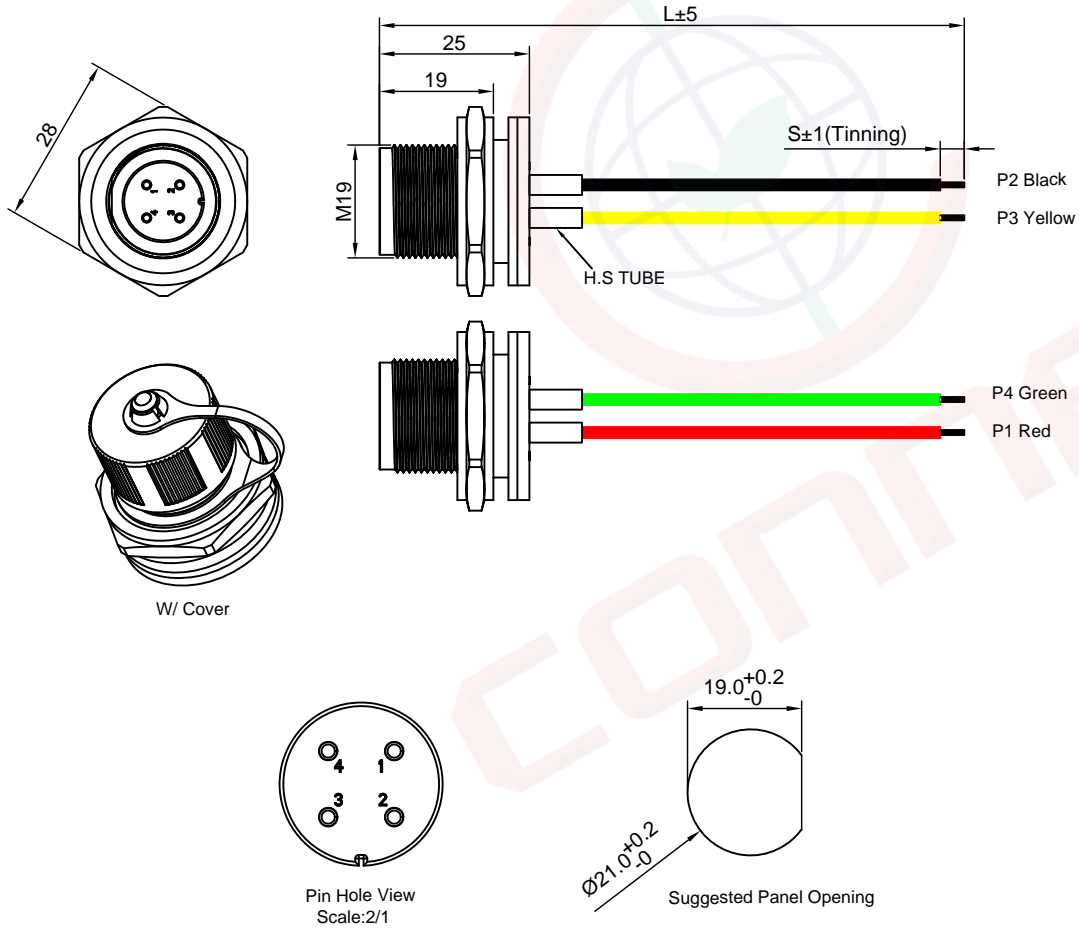
- Shell color
B: Black
- Contact plating
8: Gold flash
- Housing color
G: Green
- Mounting type
W: Soldering type
- Connector type
F: Female
- No. of contacts
4: 4Pin

GENERAL TOLERANCE		ANGLE TOLERANCE		PROJECTION		TITLE	Solar Connectors Wire to Wire Type (Female)
X.	±0.60	X.	±5°	UNITS	mm	SERIES	DS1162-04 SERIES
.X	±0.38	.X	±3°	SHEET SIZE	A4		
.XX	±0.25	.XX	±2°				
DRAWING TYPE		CUSTOMER		晨翔电子有限公司 CONNELY ELECTRONIC CO. LTD			
SCALE		1:1	SHEET 2 OF 2				
DRAWING NO.		C-DS1162-04-XXXXX-A					

Dept	
Qty	
DC	1
ED	1
IE	1
ISO	1
PD	1
R&D	1
SD	1
QA	1
QC	1
QE	1

REV.	DESCRIPTION	DRAWN	CHECKED	APPROVED
A	NEW RELEASE	JLZ 12/01/22'		

The information provided herein is from CONNPLY Electronic Co., Ltd. and is confidential. Any disclosure to a party other than the recipient is prohibited. The intellectual properties and its rights are strictly prohibited without prior written consent from CONNPLY. All intellectual properties provided herein are for reference purposes only and does not constitute authorization of its use in any format or manner. CONNPLY may enforce its intellectual property rights at its own discretion; failures or delays to exercise such rights does not constitute a waiver of such rights.



Notes:
 Specifications:
 1. Contact Resistance: 500mΩ Max.
 2. Insulation Resistance: 500MΩ Min.
 3. Dielectric Withstanding Voltage: 500V AC(rms) For 1 Minute.
 4. Current Rating:4A.
 5. Voltage Rating:250V AC rms.
 6. Temperature: -40°C~+85°C.
 Materials:
 1. Insulating material:Nylon.
 2. Contact material: Copper Alloy.
 Product Number Code:
 DS1162-04 - X X X X X X X X

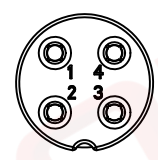
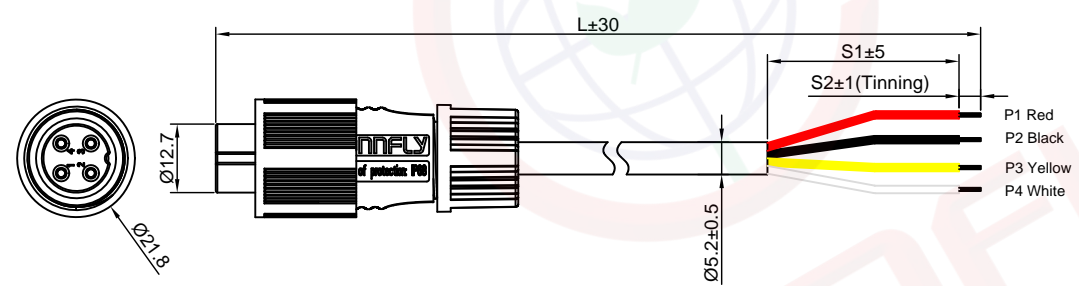
— X X X X X X X X
 Stripping length(Dim S)
 09: 9mm
 Wire length(Dim L)
 105: 105mm
 Cover Support
 S: W/ Cover
 X: W/O Cover
 Contact plating
 8: Gold flash
 Housing color
 G: Green
 Mounting type
 W: Soldering type
 Wire gauge
 20: 20AWG
 Connector type
 M: Male
 No. of contacts
 4: 4Pin

GENERAL TOLERANCE		ANGLE TOLERANCE		PROJECTION		TITLE	
X.	±0.60	X.	±5°	UNITS	mm	Solar Connectors Wire to Wire Type	
.X	±0.38	.X	±3°	SHEET SIZE	A4	SERIES	DS1162-04 SERIES
.XX	±0.25	.XX	±2°	晨翔电子有限公司 CONNPLY CONNPLY ELECTRONIC CO. LTD			
DRAWING TYPE		CUSTOMER					
SCALE		1:1					
DRAWING NO.		C-DS1162-04-XXXXX-A		SHEET		1 OF 1	

Dept	
Qty	
DC	1
ED	1
IE	1
ISO	1
PD	1
R&D	1
SD	1
QA	1
QC	1
QE	1

REV.	DESCRIPTION	DRAWN	CHECKED	APPROVED
A	NEW RELEASE	JLZ 12/01/22'		

The information provided herein is from CONNPLY Electronic Co., Ltd. and is confidential. Any disclosure to a party other than the recipient is prohibited. The intellectual properties and its rights are strictly prohibited without prior written consent from CONNPLY. All intellectual properties provided herein are for reference purposes only and does not constitute authorization of its use in any format or manner. CONNPLY may enforce its intellectual property rights at its own discretion; failures or delays to exercise such rights does not constitute a waiver of such rights.



Pin Hole View
Scale:2/1

Notes:

Specifications:

- Contact Resistance: 2Ω Max.
- Insulation Resistance: 500MΩ Min.
- Dielectric Withstanding Voltage: 500V AC(rms) For 1 Minute.
- Current Rating:4A.
- Voltage Rating:250V AC rms.
- Temperature: -40°C~+85°C.

Materials:

- Insulating material:Nylon.
- Contact material: Copper Alloy.

Product Number Code:

DS1162-04 - X X X X X X X X X X

- Stripping length(Dim S2)
09: 9mm
- Stripping length(Dim S1)
40: 40mm
- Wire length(Dim L)
1630: 1630mm
- Shell color
B: Black
- Contact plating
8: Gold flash
- Housing color
G: Green
- Mounting type
W: Soldering type
- Wire gauge
20: 20AWG
- Connector type
F: Female
- No. of contacts
4: 4Pin

GENERAL TOLERANCE		ANGLE TOLERANCE		PROJECTION		TITLE	
X.	±0.60	X.	±5°	UNITS	mm	Solar Connectors Wire to Wire Type	
.X	±0.38	.X	±3°	SHEET SIZE	A4	SERIES	DS1162-04 SERIES
.XX	±0.25	.XX	±2°	晨翔电子有限公司 CONNPLY ELECTRONIC CO. LTD			
DRAWING TYPE		CUSTOMER					
SCALE	1:1	SHEET	1 OF 1				
DRAWING NO.		C-DS1162-04-XXXXX-A					

The information provided herein is from CONNPLY Electronic Co., Ltd. and is confidential. Any disclosure to a party other than the recipient is prohibited. The intellectual properties and its rights are strictly reserved by CONNPLY. All intellectual properties provided herein are for reference purposes only and does not constitute authorization of its use in any format or manner. CONNPLY may enforce its intellectual property rights at its own discretion; failures or delays to exercise such rights does not constitute a waiver of such rights.

Dept	Qty
DC	1
ED	1
IE	1
ISO	1
PD	1
R&D	1
SD	1
QA	1
QC	1
QE	1

REV.	DESCRIPTION	DRAWN	CHECKED	APPROVED
A	NEW RELEASE	JLZ 12/01/22'		

Notes:

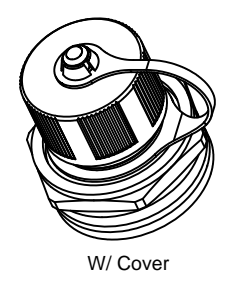
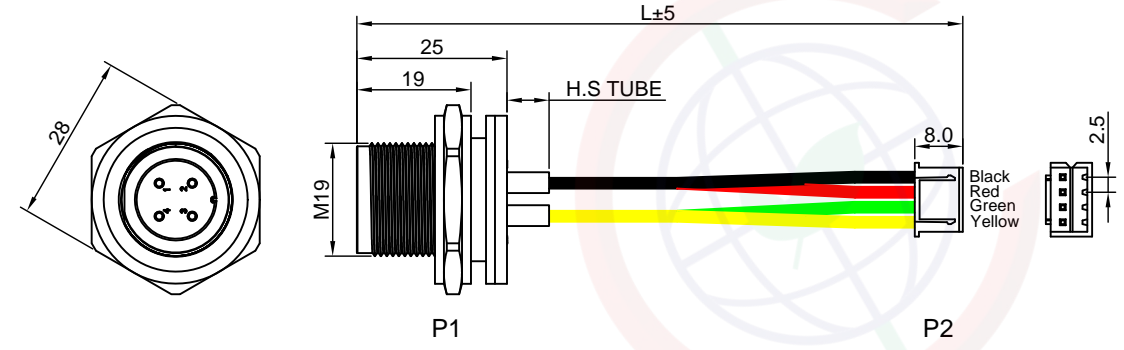
Specifications:

- Contact Resistance: 500mΩ Max.
- Insulation Resistance: 500MΩ Min.
- Dielectric Withstanding Voltage: 500V AC(rms) For 1 Minute.
- Current Rating:4A.
- Voltage Rating:250V AC rms.
- Temperature: -40°C~+85°C.

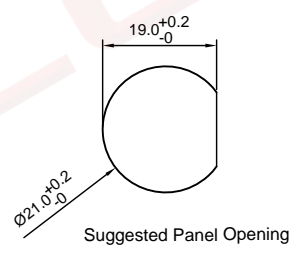
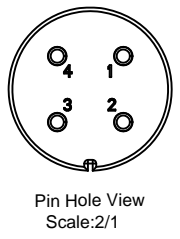
Materials:

- Insulating material:Nylon.
- Contact material: Copper Alloy.

Product Number Code:
DS1162-04 - X X X X X X X X



P1 Connection	
Pin No.	Wire color
1	Red
2	Black
3	Yellow
4	Green



- P2 Style
- A: XH type
- Wire length(Dim L)
- 105: 105mm
- Cover Support
- S: W/ Cover
- X: W/O Cover
- Contact plating
- 8: Gold flash
- Housing color
- G: Green
- Mounting type
- W: Soldering type
- Wire gauge
- 20: 20AWG
- Connector type
- M: Male
- No. of contacts
- 4: 4Pin

GENERAL TOLERANCE		ANGLE TOLERANCE		PROJECTION		TITLE	
X.	±0.60	X.	±5°	UNITS	mm	Solar Connectors Wire to Wire Type	
.X	±0.38	.X	±3°	SHEET SIZE	A4	SERIES	DS1162-04 SERIES
.XX	±0.25	.XX	±2°	晨翔电子有限公司 CONNPLY ELECTRONIC CO. LTD			
DRAWING TYPE		CUSTOMER					
SCALE	1:1	SHEET	1 OF 1				
DRAWING NO.		C-DS1162-04-XXXXX-A					

The information provided herein is from CONNPLY Electronic Co., Ltd. and is confidential. Any disclosure to a party other than the recipient is prohibited. The intellectual properties and its rights are strictly prohibited without prior written consent from CONNPLY. All intellectual properties provided herein are for reference purposes only and does not constitute authorization of its use in any format or manner. CONNPLY may enforce its intellectual property rights at its own discretion; failures or delays to exercise such rights does not constitute a waiver of such rights.

REV.	DESCRIPTION	DRAWN	CHECKED	APPROVED
A	NEW RELEASE	JLZ 12/01/22'		

P1 P2 Connection		
P1	P2	Wire color
Pin1	Pin1	White/Orange
Pin2	Pin2	Orange
/	Pin3	White/Green
Pin3	Pin4	Blue
Pin4	Pin5	White/Blue
/	Pin6	Green
/	Pin7	White/Brown
/	Pin8	Brown

Notes:

Specifications:

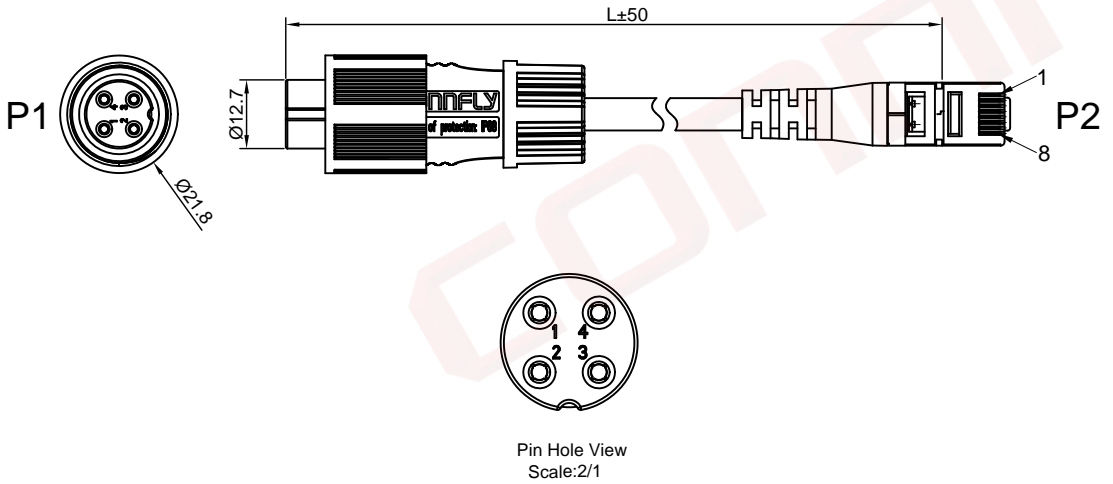
- Contact Resistance: 3Ω Max.
- Insulation Resistance: 500MΩ Min.
- Dielectric Withstanding Voltage: 500V AC(rms) For 1 Minute.
- Current Rating:0.5A.
- Voltage Rating:8V AC rms.
- Temperature: -40°C~+85°C.

Materials:

- Insulating material:Nylon.
- Contact material: Copper Alloy.

Product Number Code:
DS1162-04 - X X X X X X X X

- P2 Style
- A: RJ45
- Wire length(Dim L)
- 3000: 3000mm
- Shell color
- B: Black
- Contact plating
- 8: Gold flash
- Housing color
- G: Green
- Mounting type
- W: Soldering type
- Wire gauge
- 28: 28AWG
- Connector type
- F: Female
- No. of contacts
- 4: 4Pin



GENERAL TOLERANCE		ANGLE TOLERANCE		PROJECTION	TITLE
X.	±0.60	X.	±5°		Solar Connectors Wire to Wire Type
.X	±0.38	.X	±3°	mm	
.XX	±0.25	.XX	±2°	A4	
DRAWING TYPE		CUSTOMER		SHEET	SERIES
SCALE		1:1		1 OF 1	DS1162-04 SERIES
DRAWING NO.		C-DS1162-04-XXXXX-A		晨翔电子有限公司 CONNPLY ELECTRONIC CO. LTD	