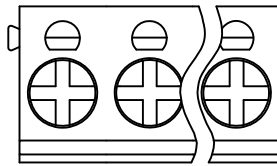
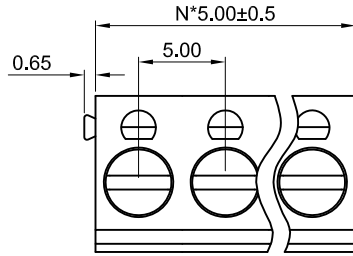


Dept  
Qty  
DC 1  
ED 1  
IE 1  
ISO 1  
PD 1  
R&D 1  
SD 1  
QA 1  
QC 1  
QE 1

The information provided herein is from CONNELY Electronic Co., Ltd. and is confidential. Any disclosure to a party other than the recipient is prohibited. The intellectual properties and its rights contained herein, including but not limited to, trademarks, patents, copyrights, trade secrets, and technical know-how, are owned exclusively by CONNELY or its affiliates. Unauthorized use or reproduction of this document in any format or manner. CONNELY may enforce its intellectual property rights at its own discretion; failures or delays to exercise such rights does not constitute a waiver of such rights.

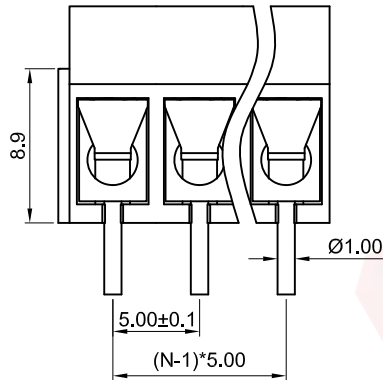


B Type

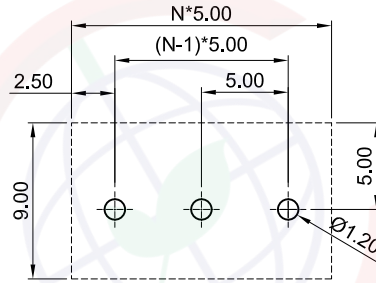


A Type

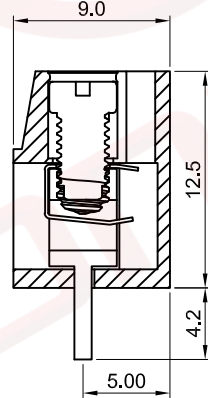
N=No.of contacts



(Series Image-Reference Only)



Recommend PCB layout  
(Tolerance:±0.05)



REV.	DESCRIPTION	DRAWN	CHECKED	APPROVED
A	NEW RELEASE	JLZ 07/01/24'		

NOTES:

Standard UL  
 Rated voltage:300V  
 Rated current:10A  
 Wrth standing voltage:AC 1000V/1 Min  
 Wire range:26~14AWG  
 Temp.Range:-40°C~+105°C  
 Pitch:5.00mm  
 Poles:2~24P

Materials:

Contact: Copper Alloy, Tin plated.  
 Insulator: Nylon.  
 Wire guard:Copper Alloy, Nickel Plated.  
 Screw:M3, Steel, Zinc Plated.  
 Product Number Code:

DS1159-24 - X X X X

- Screw type
- A: "-" type
- B: "+" type
- Contact plating
- 6: Tin
- Housing color
- L:Blue .....
- No.of contacts
- 2-24

GENERAL TOLERANCE		ANGLE TOLERANCE		PROJECTION		TITLE		
X.	±0.60	X.	±5°	UNITS	mm	5.00mm PCB Screw Terminal Block V/T Type		
.X	±0.38	.X	±3°	SHEET SIZE	A4	SERIES DS1159-24 SERIES		
.XX	±0.25	.XX	±2°					
DRAWING TYPE		CUSTOMER		晨翔电子有限公司 <b>CONNFLY CONNELY ELECTRONIC CO. LTD</b>				
SCALE		1:1					SHEET 1 OF 1	
DRAWING NO.		C-DS1159-24-XXX-A						