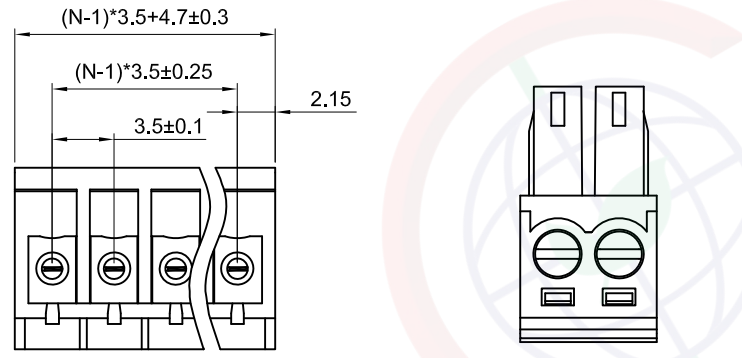


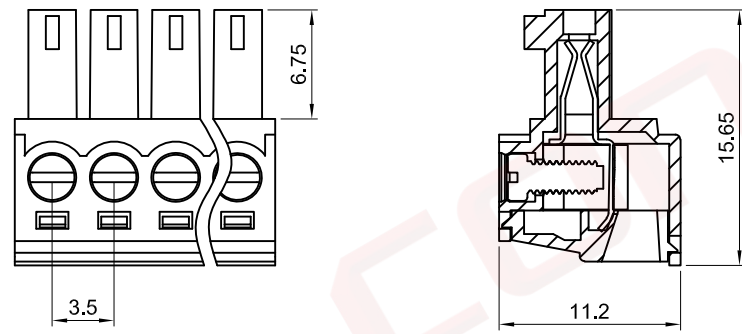
The information provided herein is from CONNELY Electronic Co., Ltd. and is confidential. Any disclosure to a party other than the recipient is prohibited. The intellectual properties and its rights contained herein, including but not limited to, trademarks, patents, copyrights, trade secrets, and technical know-how, are owned exclusively by CONNELY or its affiliates. Unauthorized use of this information in any format or manner. CONNELY may enforce its intellectual property rights at its own discretion; failures or delays to exercise such rights does not constitute a waiver of such rights.

1                      2                      3                      4                      5                      6                      7                      8

REV.	DESCRIPTION	DRAWN	CHECKED	APPROVED
A	NEW RELEASE	JLZ 06/28/22'		
B	DRAWING UPDATE	JLZ 07/06/24'		



N=No.of contacts



(Series Image-Reference Only)

**NOTES:**  
 Standard UL  
 Rated voltage:300V  
 Rated current:8A  
 Wrth standing voltage:AC 1000V/1 Min  
 Wire range:28~16AWG  
 Temp.Range:-40°C~+105°C  
 Pitch:3.50mm  
 Poles:2~24P  
**Materials:**  
 Contact: Copper Alloy,Nickel plated.  
 Insulator: Nylon.  
 Wire guard:Copper Alloy,Nickel Plated.  
 Screw:M2,Steel,Zinc Plated.  
 Product Number Code:

DS1159-15 - X X X  
 X: Contact plating  
    6: Nickel  
 X: Housing color  
    G:Green .....  
 X: No.of contacts  
    2-24

GENERAL TOLERANCE		ANGLE TOLERANCE		PROJECTION		TITLE
X.	±0.60	X.	±5°	UNITS	mm	3.50mm Pluggable Terminal Blocks Plug Type
.X	±0.38	.X	±3°	SHEET SIZE	A4	SERIES DS1159-15 SERIES
.XX	±0.25	.XX	±2°			
DRAWING TYPE		CUSTOMER		晨翔电子有限公司 <b>CONNFLY CONNELY ELECTRONIC CO. LTD</b>		
SCALE		1:1	SHEET 1 OF 1			
DRAWING NO.		C-DS1159-15-XXX-B				

1                      2                      3                      4                      5                      6                      7                      8