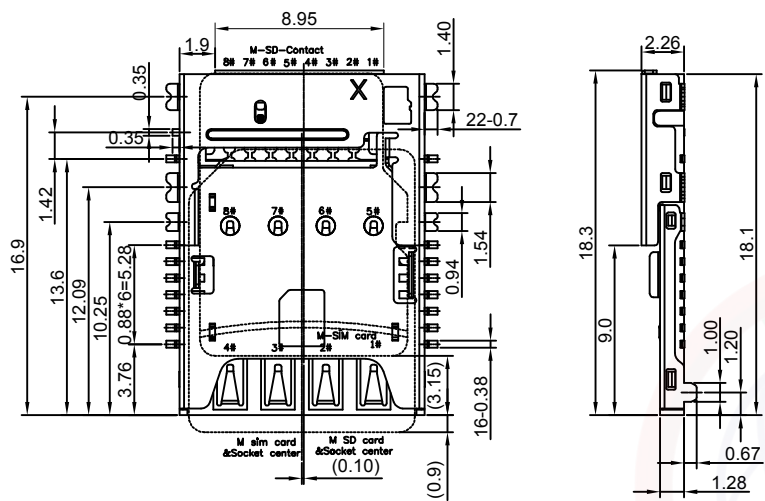


The information provided herein is from CONNELY Electronic Co., Ltd. and is confidential. Any disclosure to a party other than the recipient is prohibited. The intellectual properties and its rights contained herein, including but not limited to, trademarks, patents, copyrights, trade secrets, and technical know-how, are owned exclusively by CONNELY or its affiliates. Unauthorized use or reproduction of any part of this document in any form or by any means, electronic or mechanical, including photocopying, recording, or by any information storage and retrieval system, without the prior written permission of CONNELY, is strictly prohibited. CONNELY may enforce its intellectual property rights at its own discretion, failures or delays to exercise such rights does not constitute a waiver of such rights.

REV.	DESCRIPTION	DRAWN	CHECKED	APPROVED
A	NEW RELEASE	JLZ 10/23/19'		



Micro SIM Card Pin-Map

8P	6P	DESCRIPTION
S1	C1	VCC
S2	C2	RST
S3	C3	CLK
S4	--	Reserved
S5	C4	GND
S6	C5	VPP
S7	C6	I/O
S8	--	Reserved

G1~G8	GND
-------	-----

Micro SD Card Pin-Map

PIN NO.	DESCRIPTION
T1	DAT2
T2	CD/DAT3 ²
T3	CMD
T4	VDD
T5	CLK
T6	VSS(GND)
T7	DAT0
T8	DAT1

S/W	CARD DETECTOR
-----	---------------

Notes:

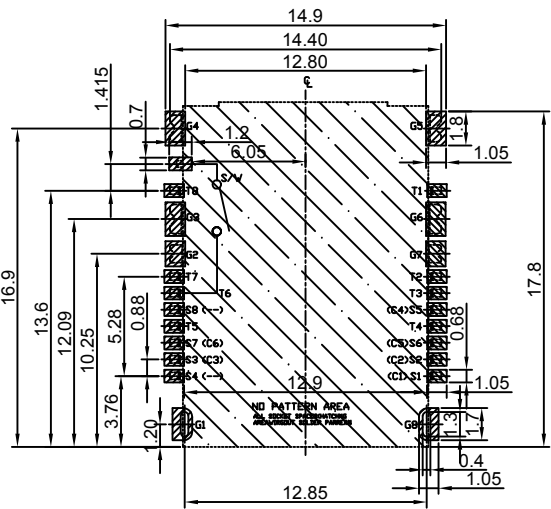
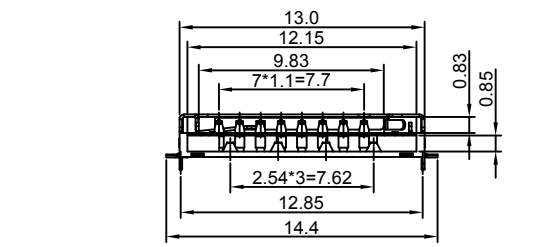
- Material:
 - Housing: High Temp., UL 94V-0 Color of Black.
 - Contacts: Copper Alloy.
 - Shell: Stainless Steel.
- Finish:
 - Contact Area: Gold Over Nickel
 - Solder Area: Gold Over Nickel.
- Specifications:
 - Temperature Rated: -40°C TO +85°C
 - Contact Resistance: 50mΩ Max.
 - Insulation Resistance: 100MΩ Min.
 - Withstanding Voltage : 100V AC.
 - Current Rating: 0.5A.
 - Voltage Rating: 50V.
- Product Number Code:

DS1138-19 - XX X X X X X X

- Packing Type
- R: Tape On Reel
- Shell Plating
- S: Stainless
- Housing Color
- B: Black
- Contact Plating
- 8: Gold flash
- Mounting Type
- S: SMT type
- Connector Type
- S: Socket
- NO. Of Contacts
- 08:8Pin

(Circuit diagram for Detection SWITCH of Micro SD card)

Card insertion condition	Card detect switch	Circuit
Without Card	Open	
Card insertion	Close	



RECOMMEND PCB LAYOUT
(TOLERANCE=±0.05)

GENERAL TOLERANCE		ANGLE TOLERANCE		PROJECTION	TITLE
X.	±0.60	X.	±5°		Micro SD+SIM Card 2 in 1 Card
.X	±0.38	.X	±3°	mm	SMT Type
.XX	±0.25	.XX	±2°	A4	DS1138-19 SERIES
DRAWING TYPE	CUSTOMER				
SCALE	1:1	SHEET	1 OF 1		
DRAWING NO.	C-DS1138-19-XXXXXXX-A				

	晨翔电子有限公司	
	CONNFLY CONNFLY ELECTRONIC CO. LTD	