

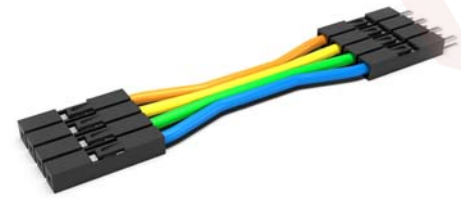
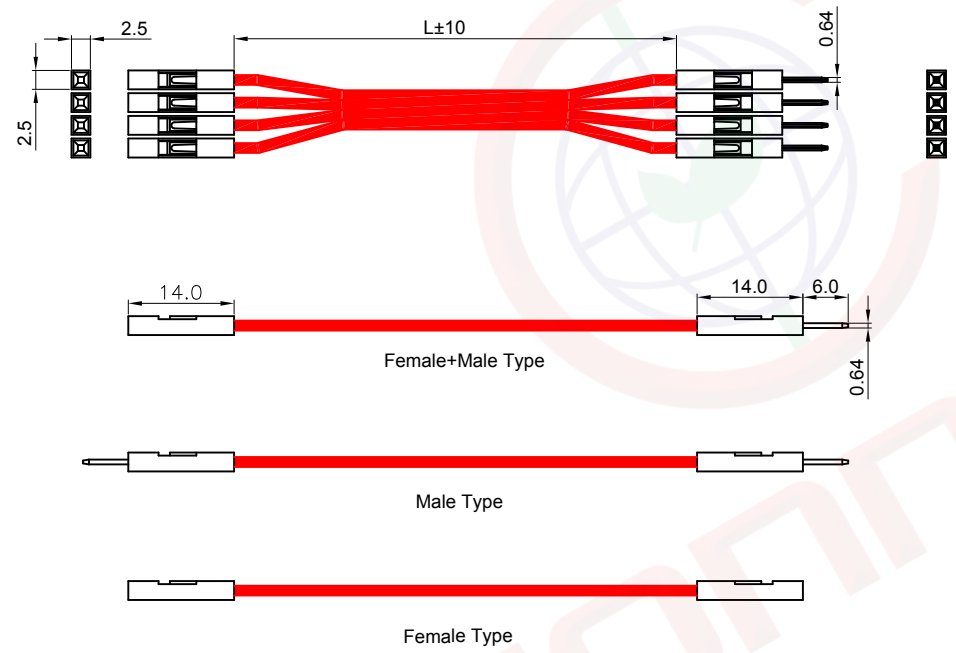
Dept	
Qty	
DC	1
ED	1
IE	1
ISO	1
PD	1
R&D	1
SD	1
QA	1
QC	1
QE	1

REV.	DESCRIPTION	DRAWN	CHECKED	APPROVED
A	NEW RELEASE	JLZ 03/07/15'		
B	DRAWING UPDATE	JLZ 03/20/23'		

BOM List Of Multi Color (Units :Bundle)

Packing Type	Wire Color
25-10(FOR 4P)	Black,White,Green,Purple,Blue,Red,Gray,Yellow,Brown,Orange (Random)
S(FOR 1P)	Black,White,Green,Purple,Blue,Red,Gray,Yellow,Brown,Orange (Random)

The information provided herein is from CONNELY Electronic Co., Ltd. and is confidential. Any disclosure to a party other than the recipient is prohibited. The intellectual properties and its rights contained herein, including but not limited to, trademarks, patents, copyrights, trade secrets, and technical know-how, are owned exclusively by CONNELY or its affiliates. Unauthorized use or modification is strictly prohibited. CONNELY may enforce its intellectual property rights at its own discretion, failure or delays to exercise such rights does not constitute a waiver of such rights.

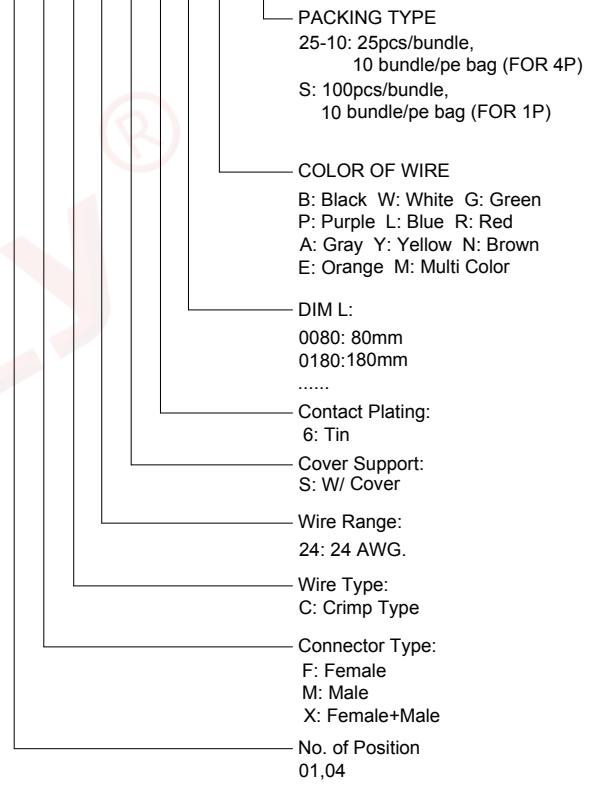


(Series Image-Reference Only)

Notes:

- Materials
 - Insulator: thermoplastic
 - Pin: Copper Alloy.
- Specifications
 - Temperature range: -20~+80°C.
 - Contact resistance: 100mΩ max.
 - Insulation resistance: 1000MΩ min.
 - Dielectric withstanding voltage: AC 500V Per minute.
- Product number code:

DS1136-29 - X X X X X X X X - X



GENERAL TOLERANCE		ANGLE TOLERANCE		PROJECTION		TITLE	
X.	±0.60	X.	±5°	UNITS	mm	Bread Board Jumper Wire	
.X	±0.38	.X	±3°	SHEET SIZE	A4	SERIES	DS1136-29 SERIES
.XX	±0.25	.XX	±2°	晨翔电子有限公司 CONNELY ELECTRONIC CO. LTD			
DRAWING TYPE		CUSTOMER					
SCALE	1:1	SHEET	1 OF 1				
DRAWING NO.		C-DS1136-29-XXXXXX-X-B					