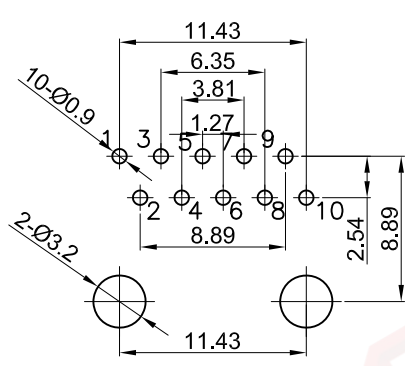
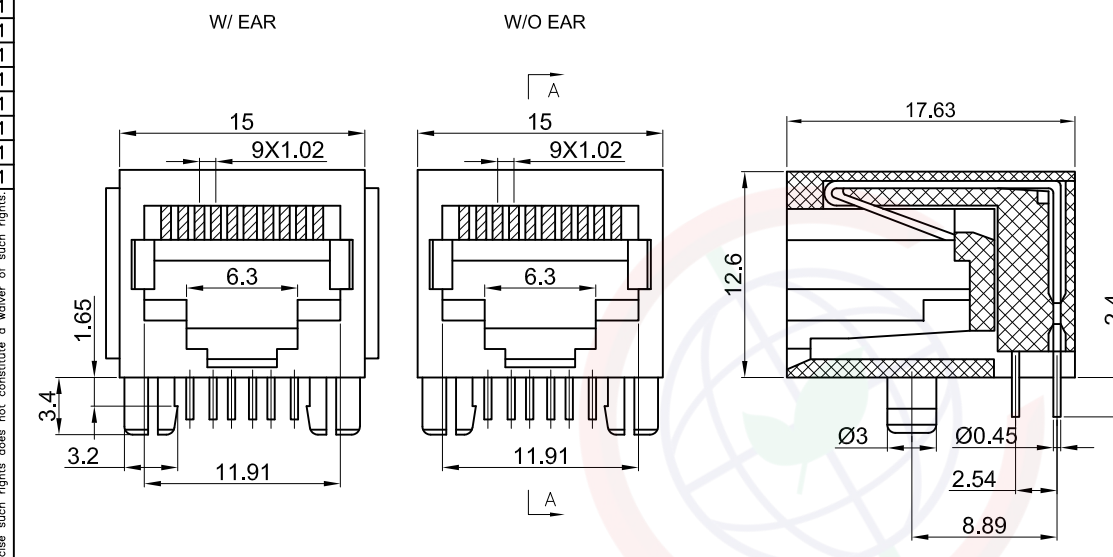


The information provided herein is from CONNELY Electronic Co., Ltd. and is confidential. Any disclosure to a party other than the recipient is prohibited. The intellectual properties and its rights contained herein, including but not limited to, trademarks, patents, copyrights, trade secrets, and technical know-how, are owned exclusively by CONNELY or its affiliates. Unauthorized use of this information in any format or manner. CONNELY may enforce its intellectual property rights at its own discretion; failures or delays to exercise such rights does not constitute a waiver of such rights.



Recommend PCB Layout(Tolerance=±0.05)



(Series Image-Reference Only)

REV.	DESCRIPTION	DRAWN	CHECKED	APPROVED
A	NEW RELEASE	LL 06/26/06'		
B	DRAWING UPDATE	JLZ 07/02/24'		

- Notes:
- Electrical Characteristics:
 - 1.1 Contact Resistance: 30mΩ Max.
 - 1.2 Dielectric Withstanding Voltage: 1000V AC(rms) For 1 Minute.
 - 1.3 Insulation Resistance: 500MΩ Min.
 - 1.4 Current Rating:1.5A.
 - 1.5 Voltage Rating:125V AC rms.
 - Environment Characteristics:
 - 2.1 Temperature: -40°C~+85°C.
 - Materials:
 - 3.1 Contact Material: Copper Alloy.
 - 3.2 Contact Plating: Gold Plating Over Nickel.
 - 3.3 Insulator Material:Thermoplastic,Black,UL94-V0.
 - Product Number Code:

DS1135 - X X X X X X

- Ear Support
S:W/ Ear
X:W/O Ear
- Housing Material
P:PBT
- Housing Color
B:Black
- Contact Plating
0:Gold flash
- No.Of Contacts
10:10p10c
8:10p8c
- Connector Type
S:Socket

GENERAL TOLERANCE		ANGLE TOLERANCE		PROJECTION		TITLE	PCB Jack 10 Positions W/O Shell R/A Type L=17.6mm
X.	±0.60	X.	±5°	UNITS	mm	SERIES	DS1135 SERIES
.X	±0.38	.X	±3°				
.XX	±0.25	.XX	±2°				
DRAWING TYPE		CUSTOMER					
SCALE		1:1	SHEET	1 OF 1			
DRAWING NO.		C-DS1135-XXXXXX-B					

