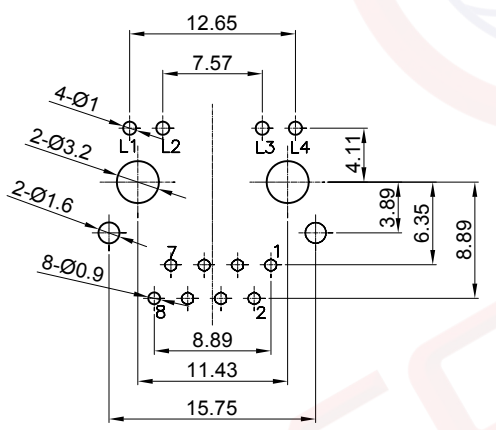
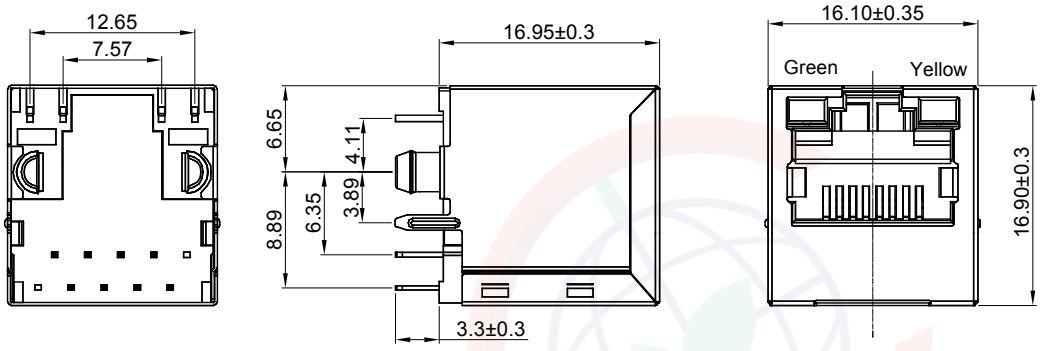
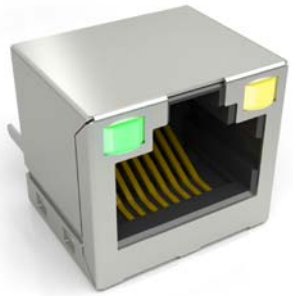


The information provided herein is from CONNELY Electronic Co., Ltd. and is confidential. Any disclosure to a party other than the recipient is prohibited. The intellectual properties and its rights contained herein, including but not limited to, trademarks, patents, copyrights, trade secrets, and technical know-how, are owned exclusively by CONNELY or its affiliates. Unauthorized use or reproduction of any part of this document is strictly prohibited. CONNELY may enforce its intellectual property rights at its own discretion, failures or delays to exercise such rights does not constitute a waiver of such rights.

REV.	DESCRIPTION	DRAWN	CHECKED	APPROVED
A	NEW RELEASE	JLZ 10/27/16'		
B	DRAWING UPDATE	JLZ 08/01/23'		



PCB Layout
Thickness=1.6mm



(Series Image-Reference Only)

- Notes:
- Characteristics:
 - Contact Resistance: 30mΩ Max.
 - Dielectric Withstanding Voltage: 500V AC(rms) For 1 Minute.
 - Insulation Resistance: 500MΩ Min.
 - Environment Characteristics:
 - Temperature: -40°C~+85°C.
 - Materials:
 - Contact Material: Copper Alloy.
 - Contact Plating: Gold&Tin Plating Over Nickel.
 - Insulator Materials:Nylon,Black,UL94-V0.
 - Product Number Code:

DS1134-09 - X X X X X

 - Housing Material N:Nylon
 - Contact Plating S:Selective 6u" gold
 - Housing Color B:Black
 - No.Of Contacts 8:8p8c
 - Connector Type S:Socket

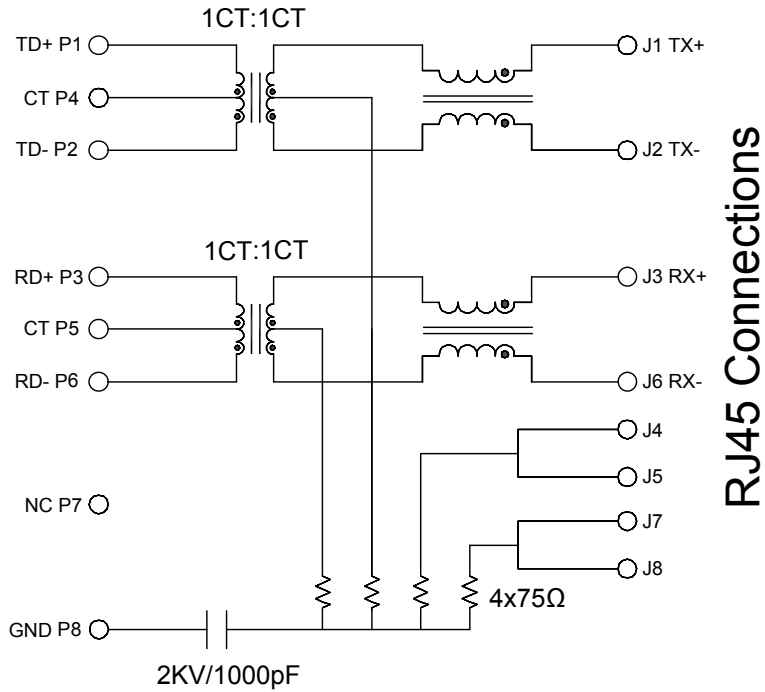
GENERAL TOLERANCE		ANGLE TOLERANCE		PROJECTION		TITLE	PCB Jack 8P 1x1 10/100Base W/ LED Type		
X.	±0.60	X.	±5°	UNITS	mm	SERIES	DS1134-09 SERIES		
.X	±0.38	.X	±3°	SHEET SIZE	A4				
.XX	±0.25	.XX	±2°						
DRAWING TYPE		CUSTOMER			晨翔电子有限公司 CONNELY ELECTRONIC CO. LTD				
SCALE		1:1	SHEET	1 OF 2					
DRAWING NO.		C-DS1134-09-XXXXX-B							

Dept	
Qty	
DC	1
ED	1
IE	1
ISO	1
PD	1
R&D	1
SD	1
QA	1
QC	1
QF	1

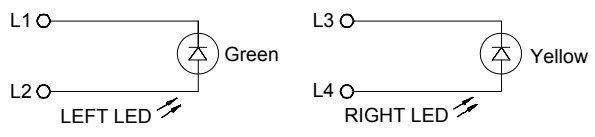
The information provided herein is from CONNPLY Electronic Co., Ltd. and is confidential. Any disclosure to a party other than the recipient is prohibited. The intellectual properties and its rights contained herein, including but not limited to, trademarks, patents, copyrights, trade secrets, and technical know-how, are owned exclusively by CONNPLY or its affiliates. Unauthorized use or reproduction of any part of this document is strictly prohibited. CONNPLY may enforce its intellectual property rights at its own discretion, failures or delays to exercise such rights does not constitute a waiver of such rights.

REV.	DESCRIPTION	DRAWN	CHECKED	APPROVED
A	NEW RELEASE	JLZ 10/27/16'		
B	DRAWING UPDATE	JLZ 08/01/23'		

PCB Connections



RJ45 Connections



Emitting Color	λp(nm)	Vf@If=20mA
Green	565	1.8-2.5V
Yellow	585	1.8-2.5V

Notes:

1. Electrical Specification @25°C:
 - 1.1 Inductance:350uH Min with 8mA DC bias.
 - 1.2 Insertion loss:
 - 1-100MHZ -1dB max.
 - 1.3 Return loss:
 - 1-30MHZ -18dB min.
 - 30-60MHZ -16dB min.
 - 60-80MHZ -12dB min.
 - 1.4 Common Mode Rejection:1-100MHZ -30dB min.
 - 1.5 Cross Talk:1-100MHZ -30dB min.

GENERAL TOLERANCE		ANGLE TOLERANCE	
X.	±0.60	X.	±5°
.X	±0.38	.X	±3°
.XX	±0.25	.XX	±2°
DRAWING TYPE		CUSTOMER	
SCALE	1:1	SHEET	2 OF 2
DRAWING NO.	C-DS1134-09-XXXXX-B		

PROJECTION		TITLE	PCB Jack 8P 1x1 10/100Base W/ LED Type
UNITS	mm		
SHEET SIZE	A4	SERIES	DS1134-09 SERIES

晨翔电子有限公司

CONNPLY CONNPLY ELECTRONIC CO. LTD