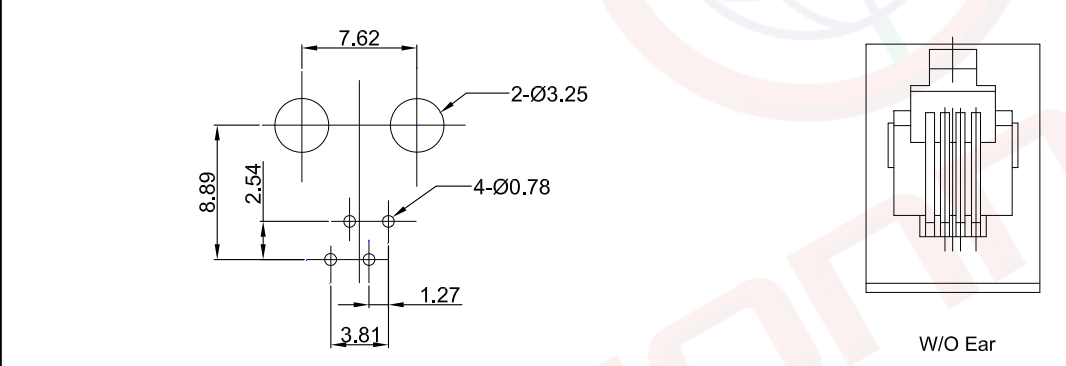
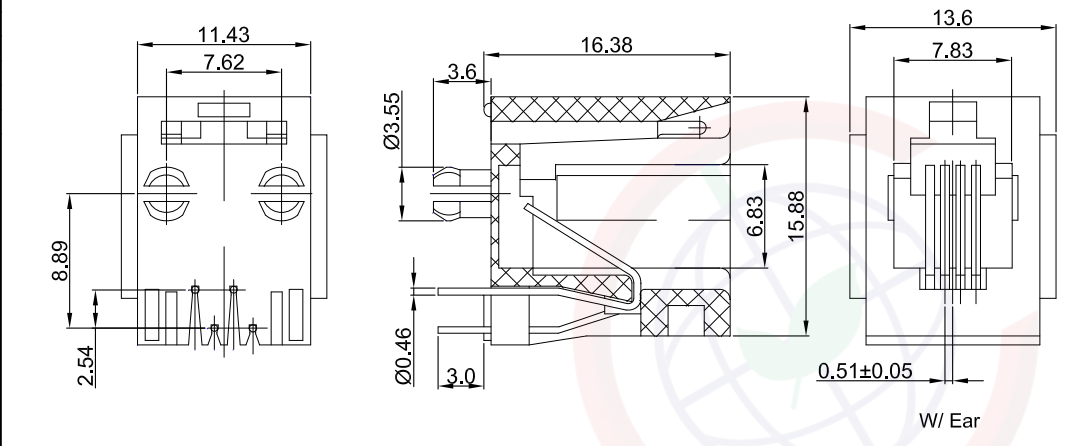


The information provided herein is from CONNELY Electronic Co., Ltd. and is confidential. Any disclosure to a party other than the recipient is prohibited. The intellectual properties and its rights contained herein, including but not limited to, trademarks, patents, copyrights, trade secrets, and technical know-how, are owned exclusively by CONNELY or its affiliates. Unauthorized use of this information in any format or manner. CONNELY may enforce its intellectual property rights at its own discretion; failures or delays to exercise such rights does not constitute a waiver of such rights.

1                      2                      3                      4                      5                      6                      7                      8

REV.	DESCRIPTION	DRAWN	CHECKED	APPROVED
A	NEW RELEASE	JLZ 12/10/16'	HZW 12/10/16'	LJC 12/10/16'
B	DRAWING UPDATE	JLZ 08/22/22'	~	



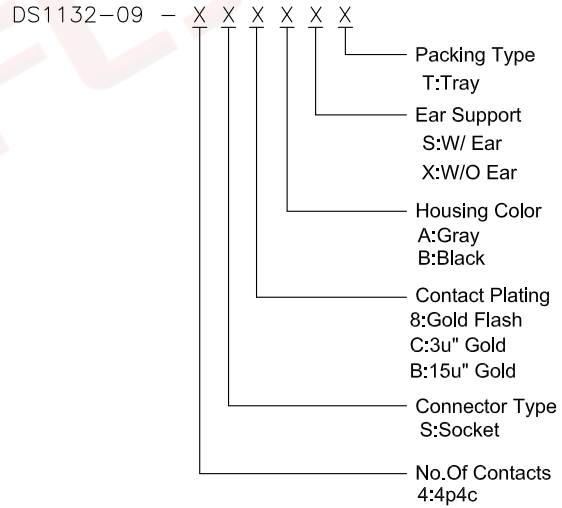
Recommend PCB layout  
(Tolerance:±0.05)



(Series Image-Reference Only)

NOTES:

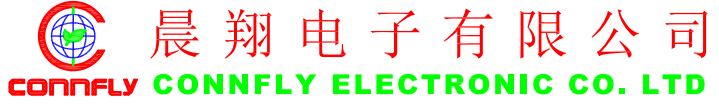
- Electrical Characteristics:
  - Contact Resistance: 50mΩ Max.
  - Dielectric Withstanding Voltage: 500V AC(rms) for 1 minute.
  - Insulation Resistance: 1000MΩ Min.
  - Current Rating:1.5A.
  - Voltage Rating:125V AC RMS.
- Environment Characteristics:
  - Temperature: -40°C~+85°C.
- Materials
  - Contact: Copper Alloy,Gold Flash.
  - Insulator Material: PBT,Black or Gray.
- Product Number Code:



GENERAL TOLERANCE	ANGLE TOLERANCE
X. ±0.60	X. ±5°
.X ±0.38	.X ±3°
.XX ±0.25	.XX ±2°

PROJECTION		TITLE	PCB Jack 4P V/T Type	
UNITS	mm	SHEET	A4	
SHEET SIZE	A4	SERIES	DS1132-09 SERIES	

DRAWING TYPE	CUSTOMER		
SCALE	1:1	SHEET	1 OF 1
DRAWING NO.	C-DS1132-09-XXXXXX-B		



1                      2                      3                      4                      5                      6                      7                      8