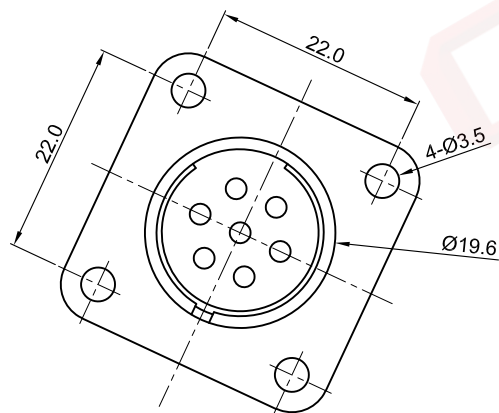
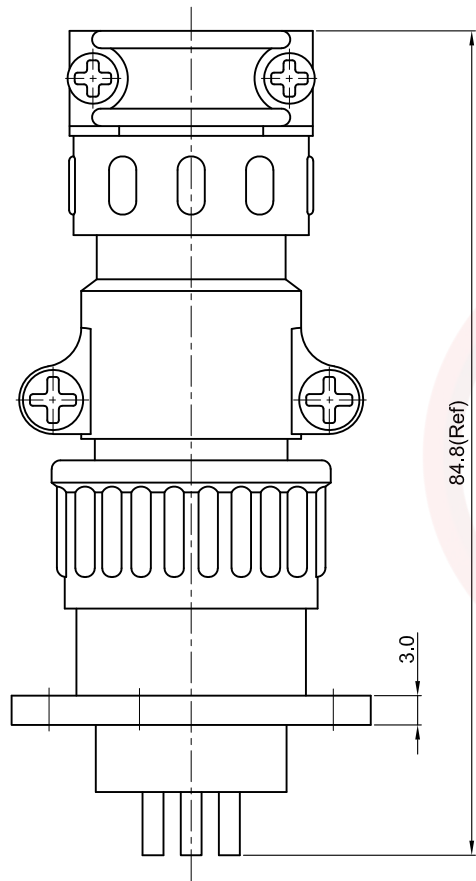
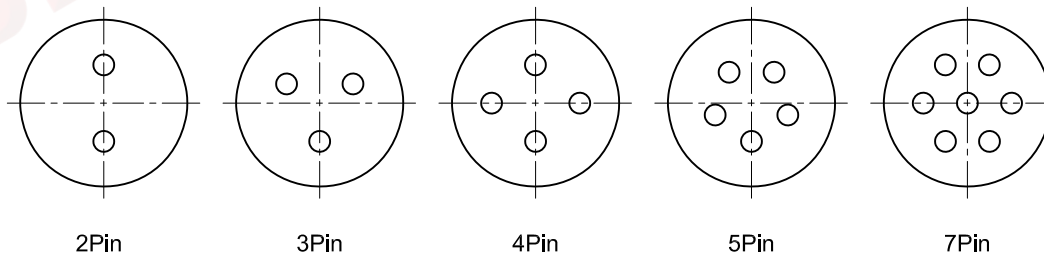


Dept  
 Qty  
 DC 1  
 ED 1  
 IE 1  
 ISO 1  
 PD 1  
 R&D 1  
 SD 1  
 QA 1  
 QC 1  
 QE 1

The information provided herein is from CONNLY Electronic Co., Ltd. and is confidential. Any disclosure to a party other than the recipient is prohibited. The intellectual properties and its rights contained herein, including but not limited to, trademarks, patents, copyrights, trade secrets, and technical know-how, are owned exclusively by CONNLY or its affiliates. Unauthorized use or modification is strictly prohibited. CONNLY may enforce its intellectual property rights at its own discretion; failures or delays to exercise such rights does not constitute a waiver of such rights.



(Series Image-Reference Only)



REV.	DESCRIPTION	DRAWN	CHECKED	APPROVED
A	NEW RELEASE	YCH 08/17/07'		
B	DRAWING UPDATE	JLZ 12/25/23'		

NOTES:

1.Specification

- .Current rating: 5A Max.
- .Dielectric with standing voltage: 500V(AC)
- .Contact resistance: 100mΩ Max.
- .Insulation resistance: 1000MΩ(DC)Min

2.Product number code:

DS1110-08 - X X X X

- Shell surface finished
- P: Spray the paint (Gray)
- Contact plating
- Y: Silver
- Color of housing
- L: Blue
- No. of contacts
- 2: 2pin 3: 3pin
- 4: 4pin 5: 5pin 7: 7pin

GENERAL TOLERANCE		ANGLE TOLERANCE		PROJECTION		TITLE	MICRO JACK CONNECTOR	
X.	±0.60	X.	±5°	UNITS	mm	SHEET	A4	
.X	±0.38	.X	±3°	SHEET SIZE	A4	SERIES	DS1110-08 SERIES	
.XX	±0.25	.XX	±2°			<b>晨翔电子有限公司</b> <b>CONNFLY CONNFLY ELECTRONIC CO. LTD</b>		
DRAWING TYPE		CUSTOMER						
SCALE		1:1	SHEET	1 OF 1				
DRAWING NO.		C-DS1110-08-XXXX-B						