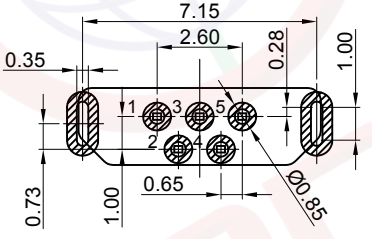
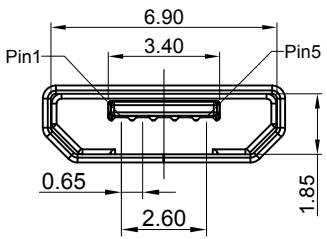
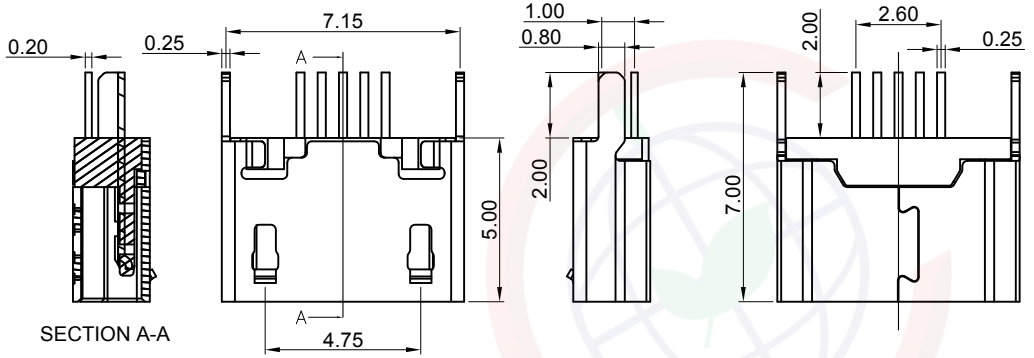


Dept	
Qty	
DC	1
ED	1
IE	1
ISO	1
PD	1
R&D	1
SD	1
QA	1
QC	1
QE	1

REV.	DESCRIPTION	DRAWN	CHECKED	APPROVED
A	NEW RELEASE	JLZ 12/01/17'		
B	DRAWING UPDATE	JLZ 06/16/23'		

The information provided herein is from CONNELY Electronic Co., Ltd. and is confidential. Any disclosure to a party other than the recipient is prohibited. The intellectual properties and its rights contained herein, including but not limited to, trademarks, patents, copyrights, trade secrets, and technical know-how, are owned exclusively by CONNELY or its affiliates. Unauthorized use or reproduction of any part of this document is strictly prohibited. CONNELY may enforce its intellectual property rights at its own discretion, failures or delays to exercise such rights does not constitute a waiver of such rights.



RECOMMENDED PCB LAYOUT
 PAD AREA

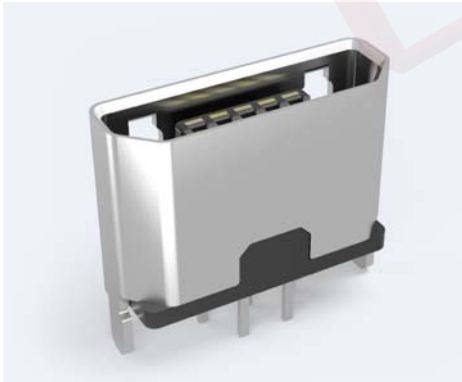
Pin Assignment

Contact Number	Signal Name
PIN 1	VBUS
PIN 2	D-
PIN 3	D+
PIN 4	ID
PIN 5	GND

- NOTE:
- Material:
 - Housing: LCP Black; Thermoplastics, UL94V-0
 - Contact: Copper Alloy
 - Shell: Stainless Steel
 - Finish:
 - Contact: Full gold flash
 - Shell: Tin
 - Specification:
 - Insulation Resistance: 100MΩ Min. @ 100V/DC
 - Contact Resistance: 30 mΩ Max.
 - Dielectric Withstanding Voltage: 100V/AC 1Minute
 - Voltage - Maximum: 30V AC
 - Current - Maximum per Contact: 1.8A, 1.0A
 - Temperature: -30°C~+80°C.
 - Product Number Code:

DS1105-17 - X 6 X X X

 - Packing Type: R: Tape on Reel
 - Contact Plated: 8: Full Gold Flash
 - Mounting Type: V: V/T Type
 - Color of Housing: B: Black



(Series Image-Reference Only)

GENERAL TOLERANCE		ANGLE TOLERANCE		PROJECTION		TITLE	Micro USB Female 5 Positions B Type
X.	±0.60	X.	±5°	UNITS	mm	V/T H=5.0mm	
.X	±0.38	.X	±3°	SHEET SIZE	A4	SERIES	DS1105-17 SERIES
.XX	±0.25	.XX	±2°	晨翔电子有限公司 CONNELY ELECTRONIC CO., LTD			
DRAWING TYPE		CUSTOMER					
SCALE	1:1	SHEET	1 OF 1				
DRAWING NO.		C-DS1105-17-XXXXX-B					