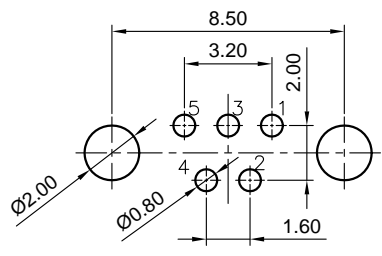
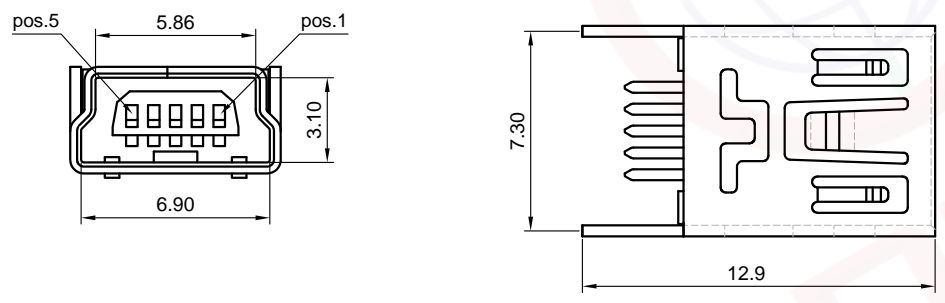
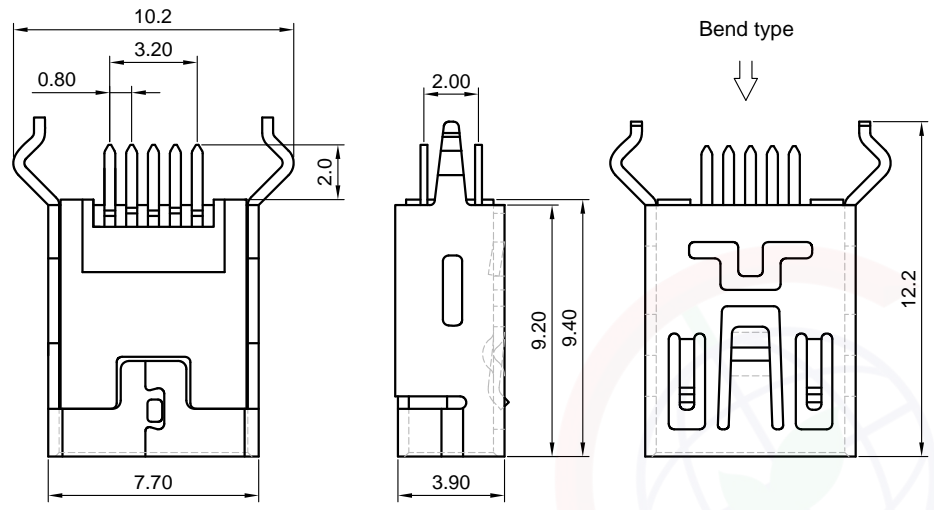
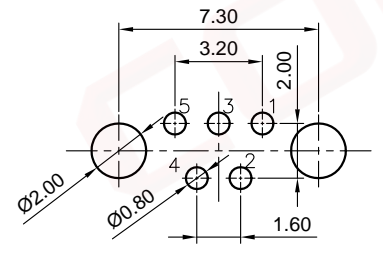


Dept	Qty
DC	1
ED	1
IE	1
ISO	1
PD	1
R&D	1
SD	1
QA	1
QC	1
QE	1

The information provided herein is from CONNELY Electronic Co., Ltd. and is confidential. Any disclosure to a party other than the recipient is prohibited. The intellectual properties and its rights contained herein, including but not limited to, trademarks, patents, copyrights, trade secrets, and technical know-how, are owned exclusively by CONNELY or its affiliates. Unauthorized use or reproduction of any part of this document, in any form or by any means, without the prior written permission of CONNELY, may constitute a violation of such rights. CONNELY may enforce its intellectual property rights at its own discretion, failures or delays to exercise such rights does not constitute a waiver of such rights.



Recommend PCB Layout
Tolerance=±0.05
Bend type



Recommend PCB Layout
Tolerance=±0.05
Straight type



(Series Image-Reference Only)

REV.	DESCRIPTION	DRAWN	CHECKED	APPROVED
A	NEW RELEASE	LJC 06/01/11'		
B	DRAWING UPDATE	JLZ 02/18/22'		

- Notes:
Specifications:
- Contact Resistance: 50mΩ Max.
 - Insulation Resistance: 100MΩ Min.
 - Dielectric Withstanding Voltage: 100V AC(rms) For 1 Minute.
 - Current Rating:1.0A Max
 - Voltage Rating:30V Max
 - Temperature: -40°C~+85°C.

- Materials:
- Contact Material: Copper Alloy.
 - Insulator Material: Thermoplastic,Black.
 - Shell Material: Copper Alloy.

Product Number Code:

DS1104-03 - X X X X X

- X X X X X
- Packing type
B: Tube
T: Tray
- Boardlock type
S: Straight type
B: Bend type
- Contact plating
O: Selective gold flash
C: Selective 3u"gold
- Shell plating
N: Nickel
- Color of housing
B: Black

GENERAL TOLERANCE		ANGLE TOLERANCE		PROJECTION		TITLE	Mini-USB Female 5 Positions
X.	±0.60	X.	±5°	UNITS	mm	V/T Type	
.X	±0.38	.X	±3°	SHEET SIZE	A4	SERIES	DS1104-03 SERIES
.XX	±0.25	.XX	±2°	晨翔电子有限公司 CONNFLY ELECTRONIC CO., LTD			
DRAWING TYPE		CUSTOMER					
SCALE	1:1	SHEET	1 OF 1				
DRAWING NO.		C-DS1104-03-XXXXX-B					