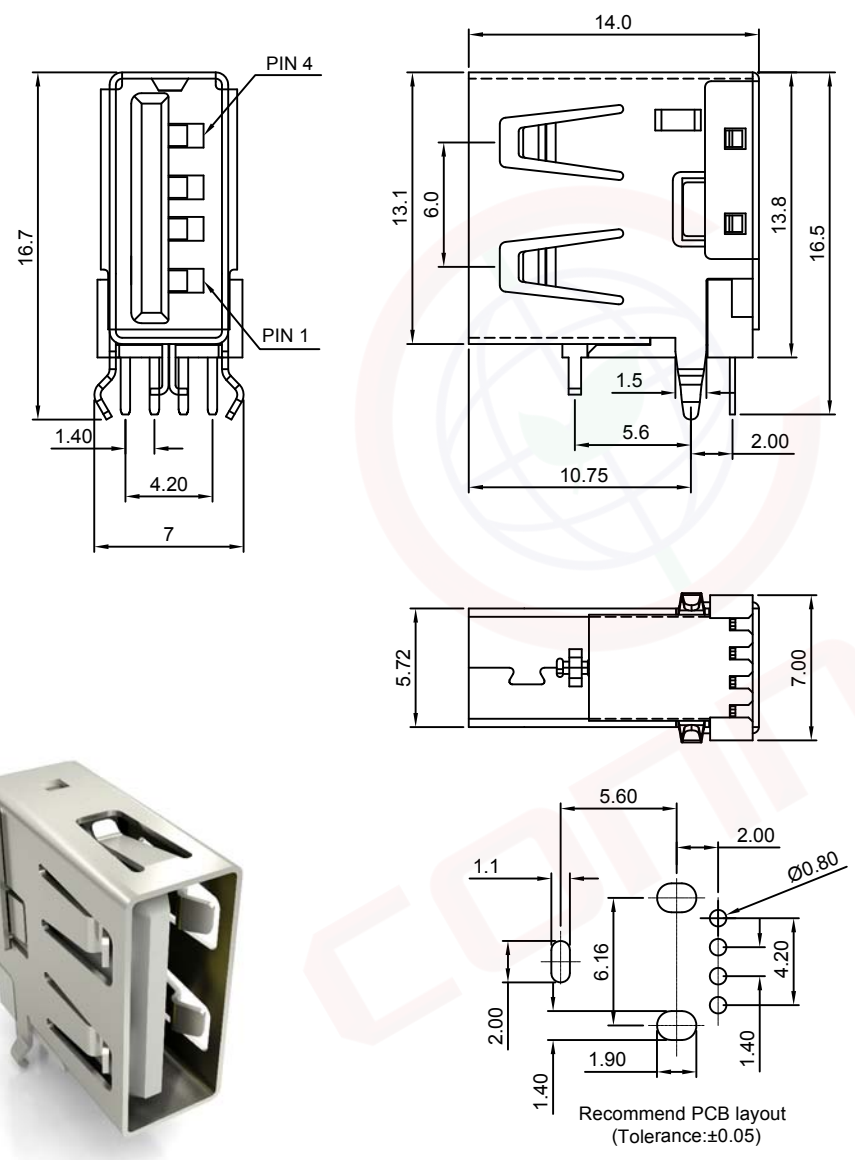


The information provided herein is from CONNPLY Electronic Co., Ltd. and is confidential. Any disclosure to a party other than the recipient is prohibited. The intellectual properties and its rights contained herein, including but not limited to, trademarks, patents, copyrights, trade secrets, and technical know-how, are owned exclusively by CONNPLY or its affiliates. Unauthorized use or reproduction of any part of this document is strictly prohibited. CONNPLY may enforce its intellectual property rights at its own discretion, failures or delays to exercise such rights does not constitute a waiver of such rights.

| | |
|------|-----|
| Dept | Qty |
| DC | 1 |
| ED | 1 |
| IE | 1 |
| ISO | 1 |
| PD | 1 |
| R&D | 1 |
| SD | 1 |
| QA | 1 |
| QC | 1 |
| QF | 1 |

The information provided herein is from CONNPLY Electronic Co., Ltd. and is confidential. Any disclosure to a party other than the recipient is prohibited. The intellectual properties and its rights contained herein, including but not limited to, trademarks, patents, copyrights, trade secrets, and technical know-how, are owned exclusively by CONNPLY or its affiliates. Unauthorized use or reproduction of any part of this document is strictly prohibited. CONNPLY may enforce its intellectual property rights at its own discretion, failures or delays to exercise such rights does not constitute a waiver of such rights.

(Series Image-Reference Only)



| REV. | DESCRIPTION | DRAWN | CHECKED | APPROVED |
|------|----------------|---------------|---------|----------|
| A | NEW RELEASE | JLZ 08/09/16' | | |
| B | DRAWING UPDATE | JLZ 03/26/22' | | |
| | | | | |

Notes:

Specifications:

- Contact Resistance: 30m Ω Max.
- Insulation Resistance: 1000M Ω Min.
- Dielectric Withstanding Voltage: 500V AC(rms) For 1 Minute.
- Current Rating: 1.5A Max
- Voltage Rating: 30V Max
- Temperature: -40 $^{\circ}$ C~+85 $^{\circ}$ C.

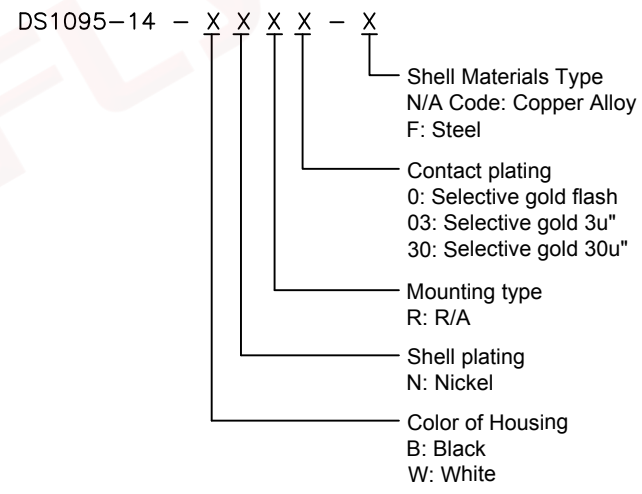
Materials:

- Contact Material: Copper Alloy.
- Shell Material: Steel or Copper Alloy.
- Insulator Material: Thermoplastic, Black or White.

Mechanical Characteristics:

- Mating Force: 3.57Kg Maximum.
- Unmating Force: 1.02Kg Minimum.
- Durability: 1500 Cycles

Product Number Code:



| | | | | | | | | |
|-------------------|------------|----------------------|-----------------|---|----|--------|---|--|
| GENERAL TOLERANCE | | ANGLE TOLERANCE | | PROJECTION | | TITLE | USB A Female Right Angle W/O Flange Type | |
| X. | ± 0.60 | X. | $\pm 5^{\circ}$ | UNITS | mm | | | |
| .X | ± 0.38 | .X | $\pm 3^{\circ}$ | SHEET SIZE | A4 | SERIES | DS1095-14 SERIES | |
| .XX | ± 0.25 | .XX | $\pm 2^{\circ}$ | 晨翔电子有限公司 CONNPLY ELECTRONIC CO., LTD | | | | |
| DRAWING TYPE | | CUSTOMER | | | | | | |
| SCALE | | 1:1 | | | | | | |
| DRAWING NO. | | C-DS1095-14-XXXX-X-B | | | | | | |