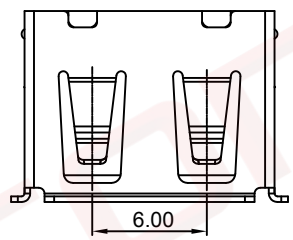
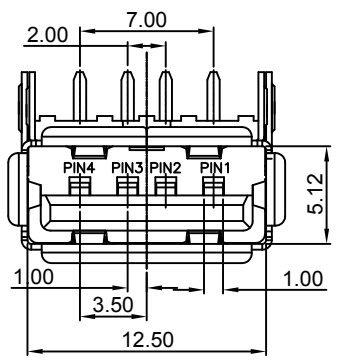
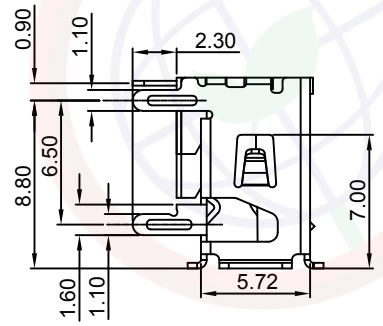
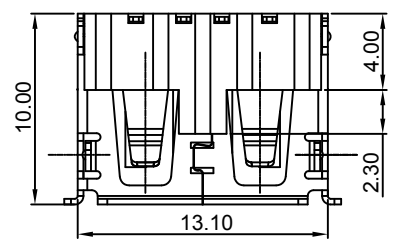
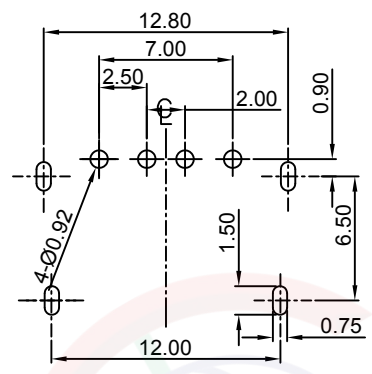
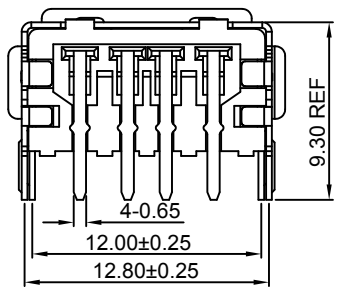


| | |
|------|---|
| Dept | |
| Qty | |
| DC | 1 |
| ED | 1 |
| IE | 1 |
| ISO | 1 |
| PD | 1 |
| R&D | 1 |
| SD | 1 |
| QA | 1 |
| QC | 1 |
| QE | 1 |

The information provided herein is from CONNELY Electronic Co., Ltd. and is confidential. Any disclosure to a party other than the recipient is prohibited. The intellectual properties and its rights contained herein, including but not limited to, trademarks, patents, copyrights, trade secrets, and technical know-how, are owned exclusively by CONNELY or its affiliates. Unauthorized use or reproduction of any part of this document, in any form or by any means, without the prior written permission of CONNELY, is strictly prohibited. CONNELY may enforce its intellectual property rights at its own discretion, failures or delays to exercise such rights does not constitute a waiver of such rights.



(Series Image-Reference Only)

| REV. | DESCRIPTION | DRAWN | CHECKED | APPROVED |
|------|----------------|---------------|---------|----------|
| A | NEW RELEASE | LJC 12/20/07' | | |
| B | DRAWING UPDATE | JLZ 03/31/22' | | |

Notes:
 Specifications:
 1. Contact Resistance: 30mΩ Max.
 2. Insulation Resistance: 1000MΩ Min.
 3. Dielectric Withstanding Voltage: 500V AC(rms) For 1 Minute.
 4. Current Rating:1.5A Max
 5. Voltage Rating:30V Max
 6. Temperature: -40°C~+85°C.
 Materials:
 1. Contact Material: Copper Alloy.
 2. Shell Material: Copper Alloy.
 3. Insulator Material: Thermoplastic,Black or White.
 Mechanical Characteristics:
 1. Mating Force:3.57Kgf Maximum.
 2. Unmating Force:1.02Kgf Minimum.
 3. Durability:1500 Cycles
 Product Number Code:
 DS1095-06 - X X X X

- Contact plating
- 0: Selective gold flash
- 03: Selective gold 3u"
- 30: Selective gold 30u"
- Mounting type
- R: R/A
- Shell plating
- N: Nickel
- Color of Housing
- B: Black
- W: White

| GENERAL TOLERANCE | | ANGLE TOLERANCE | | PROJECTION | | TITLE |
|-------------------|-------|---------------------|--------|--|----|-----------------------------------|
| X. | ±0.60 | X. | ±5° | UNITS | mm | USB A Female R/A Type L=10.0mm |
| .X | ±0.38 | .X | ±3° | SHEET SIZE | A4 | SERIES DS1095-06 SERIES |
| .XX | ±0.25 | .XX | ±2° | 晨翔电子有限公司 CONNELY CONNELY ELECTRONIC CO. LTD | | |
| DRAWING TYPE | | CUSTOMER | | | | |
| SCALE | 1:1 | SHEET | 1 OF 1 | | | |
| DRAWING NO. | | C-DS1095-06-XXXXX-B | | | | |