


The information provided herein is from CONNELY Electronic Co., Ltd. and is confidential. Any disclosure to a party other than the recipient is prohibited. The intellectual properties and its rights contained herein, including but not limited to, trademarks, patents, copyrights, trade secrets, and technical know-how, are owned exclusively by CONNELY or its affiliates. Unauthorized use or reproduction of any part of this document is strictly prohibited. CONNELY may enforce its intellectual property rights at its own discretion, failures or delays to exercise such rights does not constitute a waiver of such rights.

REV.	DESCRIPTION	DRAWN	CHECKED	APPROVED
A	NEW RELEASE	JLZ 03/11/16'	HZW 03/11/16'	LJC 03/11/16'
B	DRAWING UPDATE	JLZ 04/01/20'		

Notes:

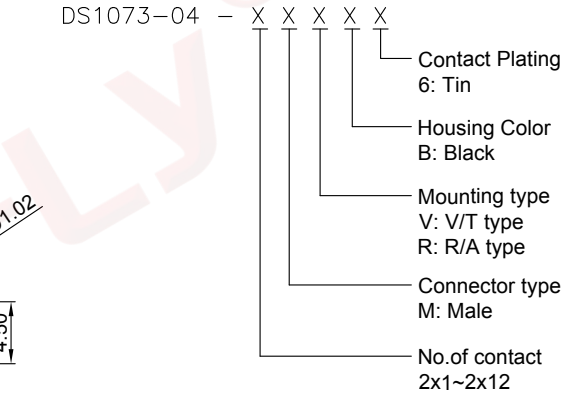
Specifications:

- Contact Resistance: 30mΩ Max.
- Insulation Resistance: 1000MΩ Min.
- Dielectric Withstanding Voltage: 600V AC(rms) For 1 Minute.
- Current Rating: 3A.
- Temperature: -25°C~+85°C.

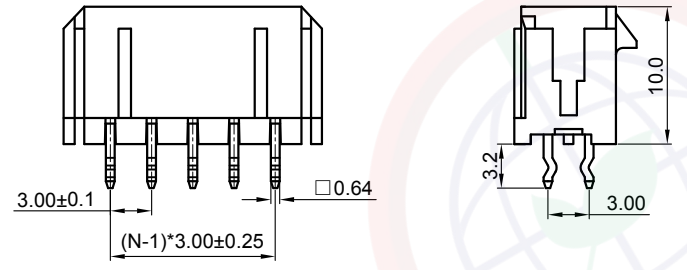
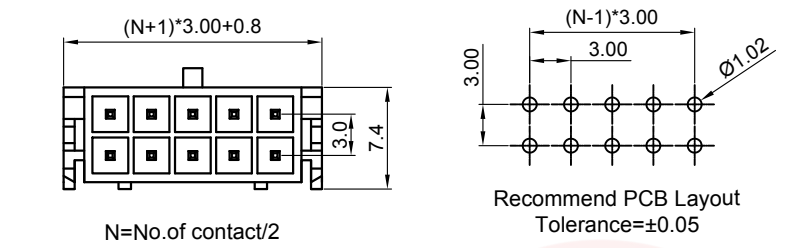
Materials:

- Contact Material: Copper Alloy.
- Contact Plating: Tin Plating Over Nickel.
- Insulator Material: Nylon.

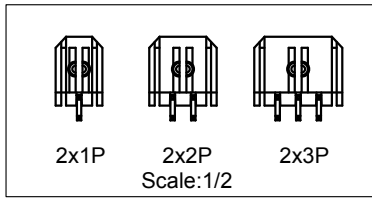
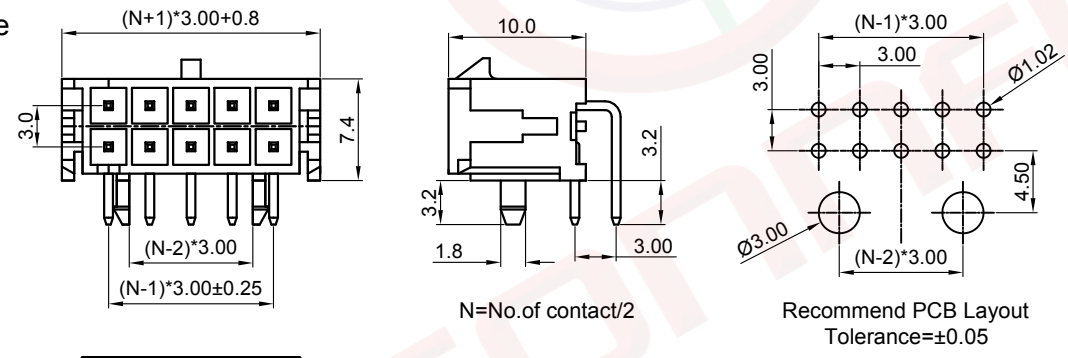
Product Number Code:



V/T Type



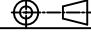
R/A Type




(Series Image-Reference Only)

GENERAL TOLERANCE		ANGLE TOLERANCE	
X.	± 0.60	X.	$\pm 5^\circ$
.X	± 0.38	.X	$\pm 3^\circ$
.XX	± 0.25	.XX	$\pm 2^\circ$

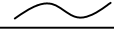
DRAWING TYPE	CUSTOMER		
SCALE	1:1	SHEET	1 OF 1
DRAWING NO.	C-DS1073-04-XXXXX-B		

PROJECTION		TITLE	3.0mm MICRO ATX CONNECTOR
UNITS	mm		V/T & V/R Type
SHEET SIZE	A4	SERIES	DS1073-04 SERIES



晨翔电子有限公司
CONNFLY ELECTRONIC CO. LTD

The information provided herein is from CONNELY Electronic Co., Ltd. and is confidential. Any disclosure to a party other than the recipient is prohibited. The intellectual properties and its rights contained herein, including but not limited to, trademarks, patents, copyrights, trade secrets, and technical know-how, are owned exclusively by CONNELY or its affiliates. Unauthorized use or reproduction of any part of this document is strictly prohibited. CONNELY may enforce its intellectual property rights at its own discretion, failures or delays to exercise such rights does not constitute a waiver of such rights.

REV.	DESCRIPTION	DRAWN	CHECKED	APPROVED
A	NEW RELEASE	JLZ 03/11/16'	HZW 03/11/16'	LJC 03/11/16'
B	DRAWING UPDATE	JLZ 04/01/20'		

Notes:

Specifications:

- Contact Resistance: 30mΩ Max.
- Insulation Resistance: 1000MΩ Min.
- Dielectric Withstanding Voltage: 600V AC(rms) For 1 Minute.
- Current Rating: 3A.
- Temperature: -25°C~+85°C.

Materials:

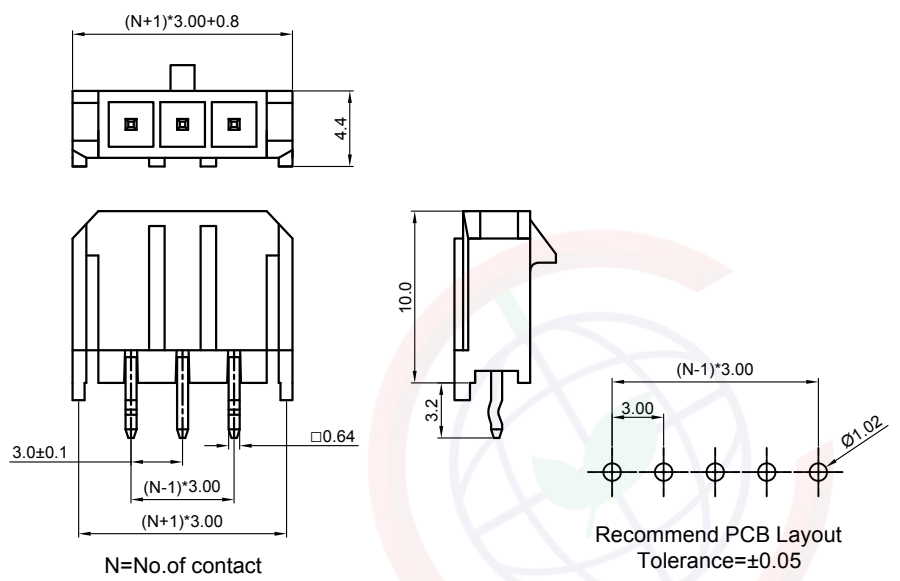
- Contact Material: Copper Alloy.
- Contact Plating: Tin Plating Over Nickel.
- Insulator Material: Nylon.

Product Number Code:

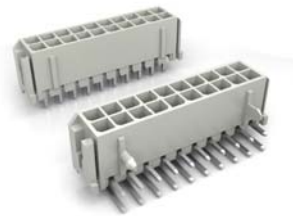
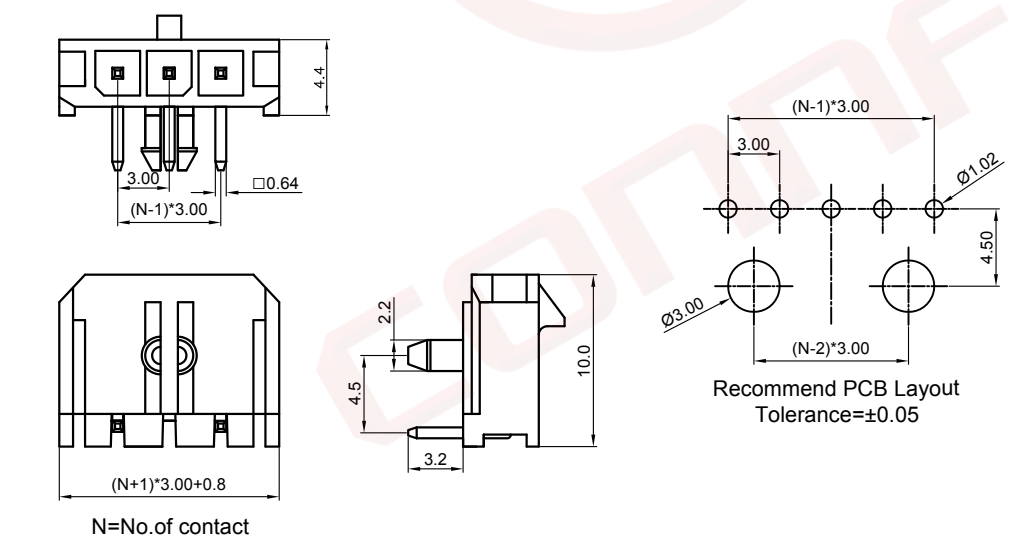
DS1073-04 - X X X X X

- X Contact Plating 6: Tin
- X Housing Color B: Black
- X Mounting type V: V/T type R: R/A type
- X Connector type M: Male
- X No. of contact 1x2~1x12

V/T Type



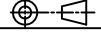
R/A Type



(Series Image-Reference Only)

GENERAL TOLERANCE		ANGLE TOLERANCE	
X.	±0.60	X.	±5°
.X	±0.38	.X	±3°
.XX	±0.25	.XX	±2°

DRAWING TYPE	CUSTOMER		
SCALE	1:1	SHEET	1 OF 1
DRAWING NO.	C-DS1073-04-XXXXX-B		

PROJECTION		TITLE	3.0mm MICRO ATX CONNECTOR V/T & V/R Type
UNITS	mm	SERIES	DS1073-04 SERIES


晨翔电子有限公司
 CONNELY CONNELY ELECTRONIC CO. LTD