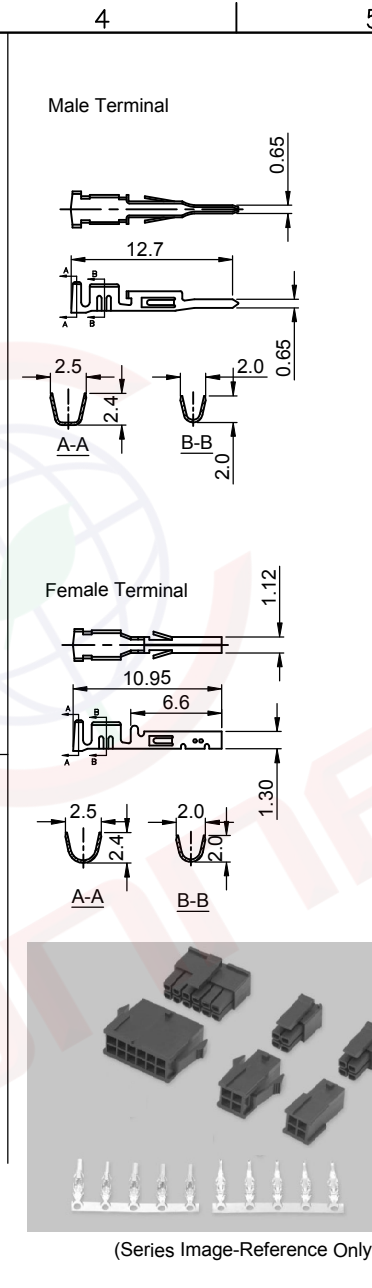
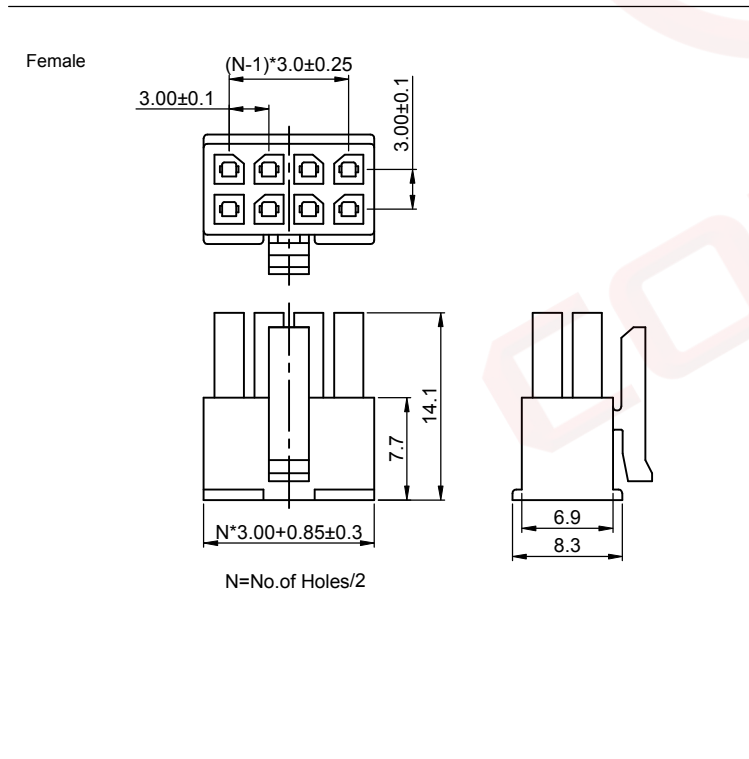
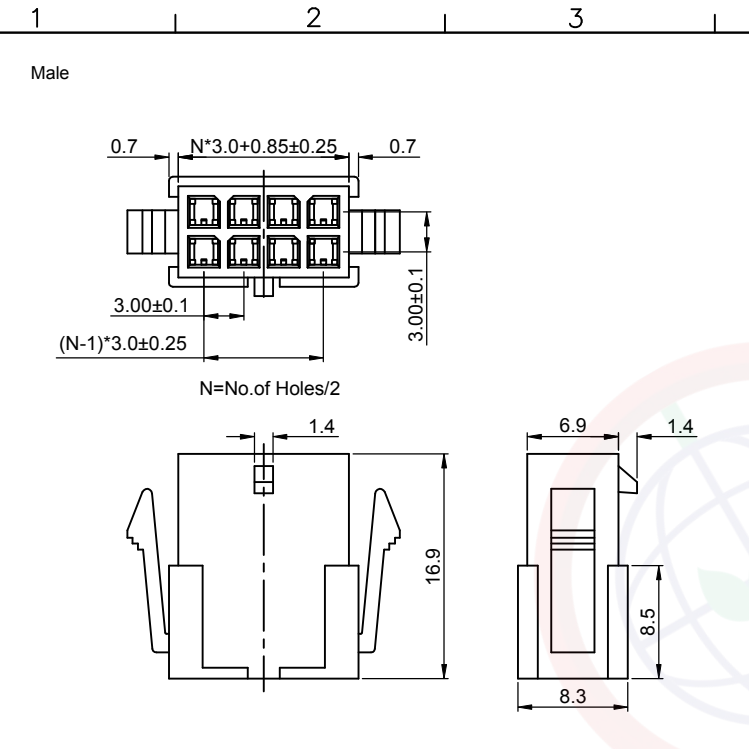


The information provided herein is from CONNELY Electronic Co., Ltd. and is confidential. Any disclosure to a party other than the recipient is prohibited. The intellectual properties and its rights contained herein, including but not limited to, trademarks, patents, copyrights, trade secrets, and technical know-how, are owned exclusively by CONNELY or its affiliates. Unauthorized use, reproduction, or distribution of this information is strictly prohibited. CONNELY reserves the right to modify the product specifications and drawings without prior notice. CONNELY may enforce its intellectual property rights at its own discretion, failures or delays to exercise such rights does not constitute a waiver of such rights.



REV.	DESCRIPTION	DRAWN	CHECKED	APPROVED
A	NEW RELEASE	LL 07/07/06'		
B	DRAWING UPDATE	JLZ 05/21/18'		
C	DRAWING UPDATE	JLZ 09/13/23'		

- NOTES:
- Main specifications
 - Housing material: Nylon 66
 - Wire range: AWG#28~#20
 - Rated voltage: 250V
 - Rated current: 3A(22AWG)
 - Contact resistance: 30mΩ
 - Insulation resistance: 1000MΩ
 - Withstanding voltage: 500V, AC 1 minute
 - Temperature range: -25 ~ +85°C
 - Product number code:

Housing:
 I - DS1073-03 - X X X 0 X

X: No. of Holes
 02x1-02x12
 X: Housing Color
 B: Black
 X: Mounting type
 C: Crimp type
 X: Housing type
 P: Male
 S: Female

Terminal:
 T - DS1073-03 - X X 6 0 0

X: Plating type
 6: Tin
 X: Mounting type
 C: Crimp type
 X: Terminal type
 P: Male
 S: Female

GENERAL TOLERANCE		ANGLE TOLERANCE	
X.	±0.60	X.	±5°
.X	±0.38	.X	±3°
.XX	±0.25	.XX	±2°

DRAWING TYPE	CUSTOMER
SCALE	1:1 SHEET 1 OF 1
DRAWING NO.	C-DS1073-03-XXXXX-C

PROJECTION		TITLE	3.0mm Crimp Type Connector
UNITS	mm	SERIES	DS1073-03 SERIES

晨翔电子有限公司
CONNFLY CONNELY ELECTRONIC CO. LTD