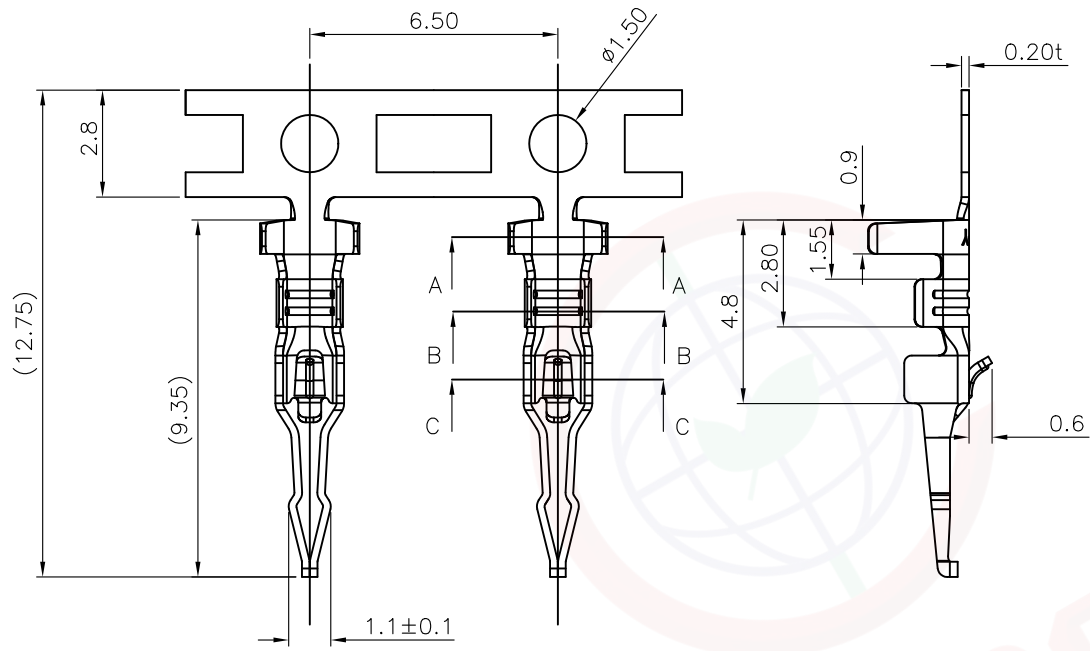


Dept	
Qty	
DC	1
ED	1
IE	1
ISO	1
PD	1
R&D	1
SD	1
QA	1
QC	1
QF	1

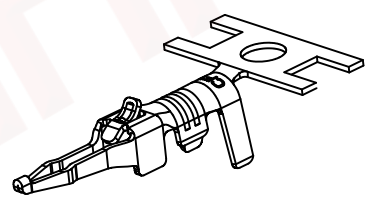
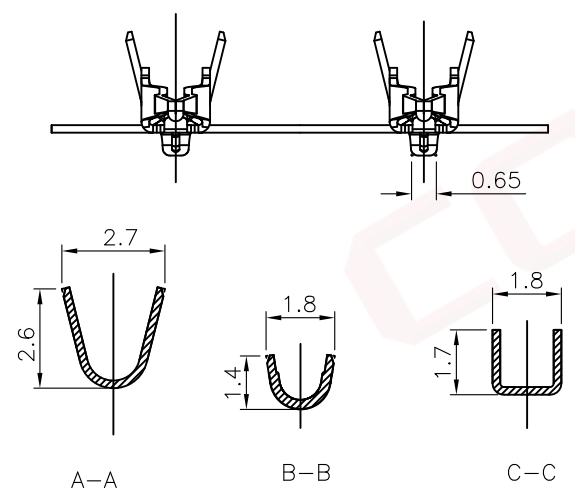
REV.	DESCRIPTION	DRAWN	CHECKED	APPROVED
A	NEW RELEASE	LJH 06/28/05'		
C	DRAWING UPDATE	JLZ 08/23/22'		

The information provided herein is from CONNELY Electronic Co., Ltd. and is confidential. Any disclosure to a party other than the recipient is prohibited. The intellectual properties and its rights contained herein, including but not limited to, trademarks, patents, copyrights, trade secrets, and technical know-how, are owned exclusively by CONNELY or its affiliates. Unauthorized use or reproduction of any part of this document is strictly prohibited. CONNELY may enforce its intellectual property rights at its own discretion, failures or delays to exercise such rights does not constitute a waiver of such rights.



NOTES:

- Main specifications
  - Terminal material: Copper Alloy
  - Rated voltage: 250V
  - Rated current: 3.0A
  - Contact resistance:  $\leq 30m\Omega$
  - Insulation resistance:  $\geq 1000M\Omega$
  - Withstanding voltage: 500V, AC 1 minute
  - Temperature range:  $-25 \sim +85^{\circ}C$
- Product number code:  
T - DS1068 - S C 6 0 0 - 2  
 Plating Type:  
6: Tin



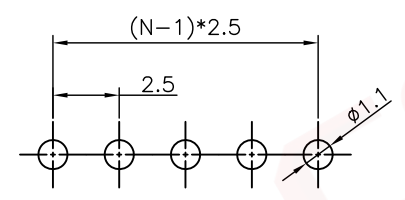
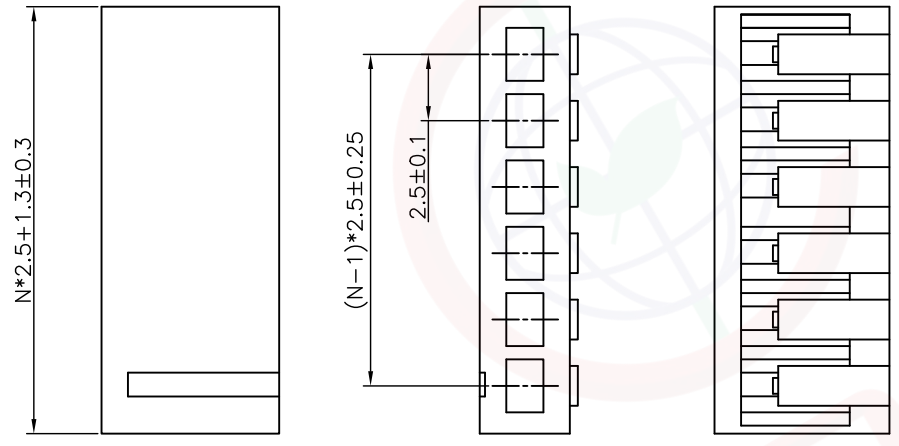
3D VIEW

GENERAL TOLERANCE		ANGLE TOLERANCE		PROJECTION		TITLE	
X.	±0.60	X.	±5°	UNITS	mm	2.5mm Terminal SCN Type	
.X	±0.38	.X	±3°	SHEET SIZE	A4	SERIES	DS1068 SERIES
.XX	±0.25	.XX	±2°	<b>晨翔电子有限公司</b> CONNELY CONNELY ELECTRONIC CO., LTD			
DRAWING TYPE		CUSTOMER					
SCALE		1:1	SHEET 1 OF 2				
DRAWING NO.		C-DS1068-XXXXX-C					

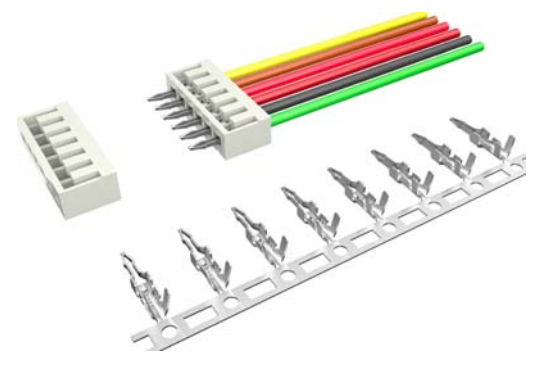
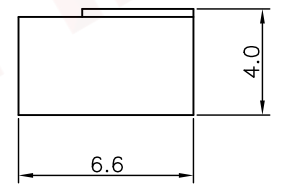
Dept	Qty
DC	1
ED	1
IE	1
ISO	1
PD	1
R&D	1
SD	1
QA	1
QC	1
QF	1

The information provided herein is from CONNELY Electronic Co., Ltd. and is confidential. Any disclosure to a party other than the recipient is prohibited. The intellectual properties and its rights contained herein, including but not limited to, trademarks, patents, copyrights, trade secrets, and technical know-how, are owned exclusively by CONNELY or its affiliates. Unauthorized use or reproduction of any part of this document is strictly prohibited. CONNELY may enforce its intellectual property rights at its own discretion, failures or delays to exercise such rights does not constitute a waiver of such rights.

REV.	DESCRIPTION	DRAWN	CHECKED	APPROVED
A	NEW RELEASE	LJH 06/28/05'		
C	DRAWING UPDATE	JLZ 08/23/22'		



Recommend PCB layout  
(Tolerance:±0.05)



(Series Image-Reference Only)

NOTES:

- Main specifications
  - Housing material: Nylon 66
  - Rated voltage: 250V
  - Rated current: 3.0A
  - Contact resistance:  $\leq 30m\Omega$
  - Insulation resistance:  $\geq 1000M\Omega$
  - Withstanding voltage: 500V,AC 1 minute
  - Temperature range:  $-25 \sim +85^{\circ}C$
  - Recommend PC board thickness:1.6mm
- Product number code:  
I-DS1068 - S C X 0 X
  - Poles: 02~16
  - Housing Color: W: White

GENERAL TOLERANCE		ANGLE TOLERANCE		PROJECTION		TITLE	
X.	±0.60	X.	±5°	UNITS	mm	2.5mm Housing SCN Type	
.X	±0.38	.X	±3°	SHEET SIZE	A4	SERIES	DS1068 SERIES
.XX	±0.25	.XX	±2°	晨翔电子有限公司 CONNFLY ELECTRONIC CO. LTD			
DRAWING TYPE		CUSTOMER					
SCALE	1:1	SHEET	2 OF 2				
DRAWING NO.		C-DS1068-XXXXX-C					