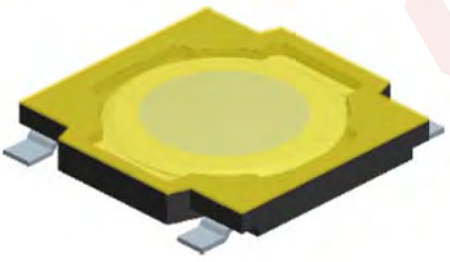
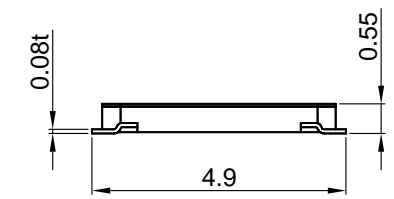
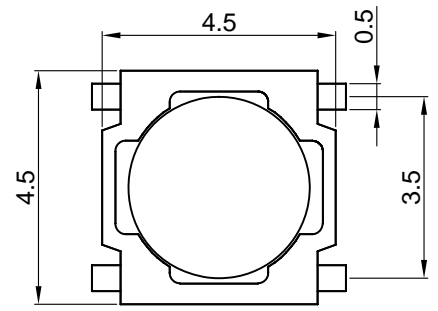
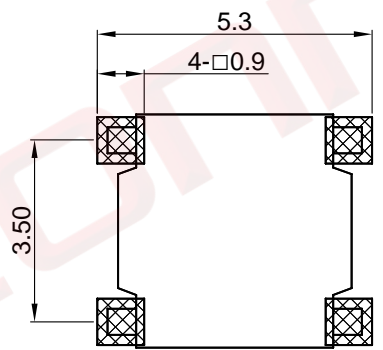
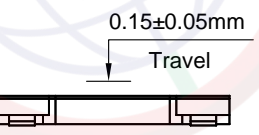
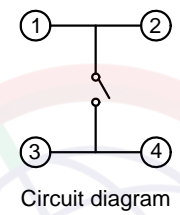


Dept	Qty
DC	1
ED	1
IE	1
ISO	1
PD	1
R&D	1
SD	1
QA	1
QC	1
QE	1

The information provided herein is from CONNELY Electronic Co., Ltd. and is confidential. Any disclosure to a party other than the recipient is prohibited. The intellectual properties and its rights contained herein, including but not limited to, trademarks, patents, copyrights, trade secrets, and technical know-how, are owned exclusively by CONNELY or its affiliates. Unauthorized use or reproduction of any part of this document is strictly prohibited. CONNELY may enforce its intellectual property rights at its own discretion, failures or delays to exercise such rights does not constitute a waiver of such rights.



(Series Image-Reference Only)



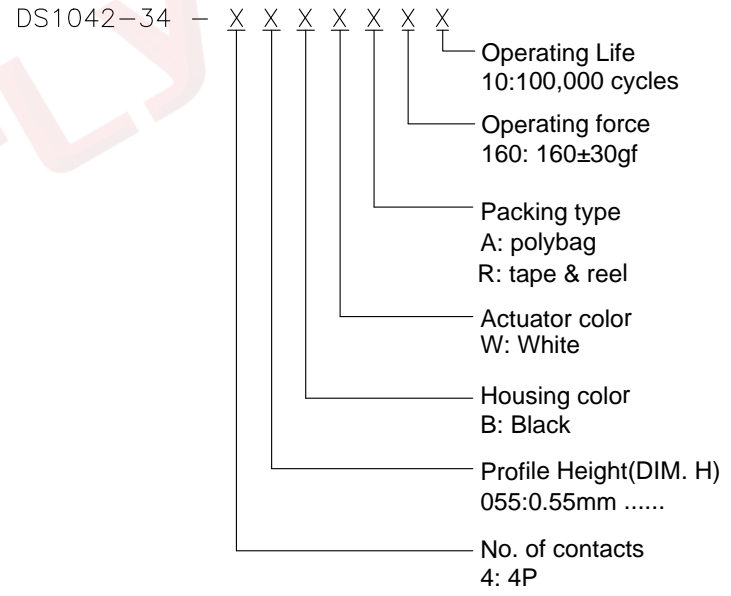
PCB layout  
Tolerance±0.05

REV.	DESCRIPTION	DRAWN	CHECKED	APPROVED
A	NEW RELEASE	JLZ 09/25/20'		

NOTES:

- Specifications
  - Switch Function: Single Pole Single Throw
  - Contact Rating: 50mA at 12Vdc
  - Insulation Resistance:100MΩ min.
  - Contact Resistance:100mΩ max.
  - Operating Life:100,000 cycles
  - Travel:0.15±0.05mm
  - Operation Temperature Range: -25°C to +70°C
  - Wave Soldering: Recommended Solder Temperature At 500°f(260°C)max. 5 Seconds,Subject To PCB 1.6mm Thickness.

2. Product number code:



GENERAL TOLERANCE		ANGLE TOLERANCE	
X.	±0.60	X.	±5°
.X	±0.38	.X	±3°
.XX	±0.25	.XX	±2°

DRAWING TYPE	CUSTOMER		
SCALE	1:1	SHEET	1 OF 1
DRAWING NO.	C-DS1042-34-XXXXXX-A		

PROJECTION		TITLE	Tact Switch SMT Type 4.5mmX4.5mm	
UNITS	mm	SERIES	DS1042-34 SERIES	

