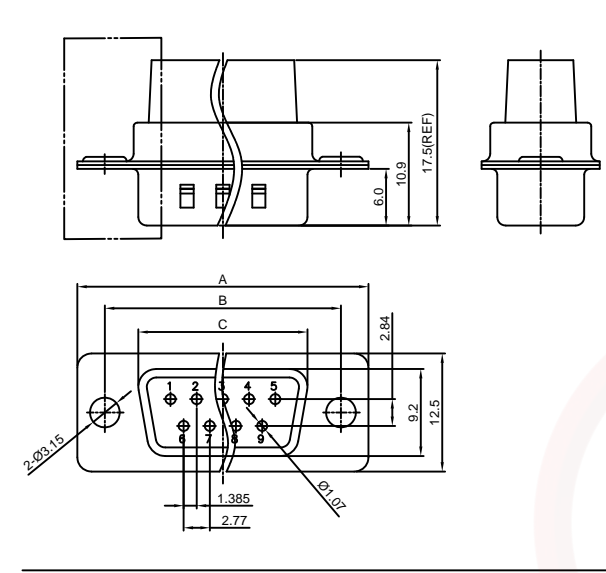
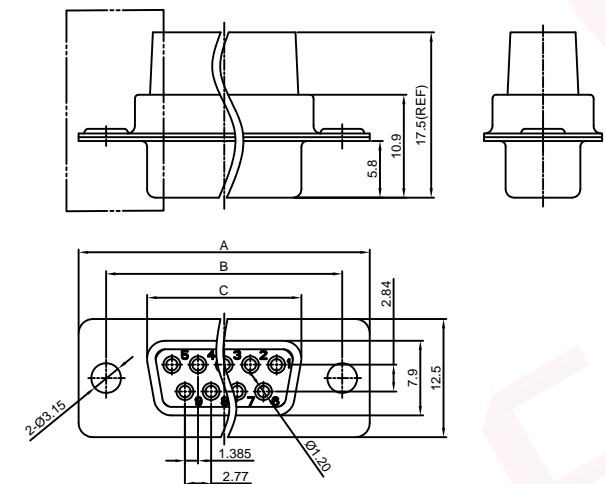


The information provided herein is from CONNPLY Electronic Co., Ltd. and is confidential. Any disclosure to a party other than the recipient is prohibited. The intellectual properties and its rights contained herein, including but not limited to, trademarks, patents, copyrights, trade secrets, and technical know-how, are owned exclusively by CONNPLY or its affiliates. Unauthorized use or reproduction of any part of this document is strictly prohibited. CONNPLY may enforce its intellectual property rights at its own discretion, failures or delays to exercise such rights does not constitute a waiver of such rights.

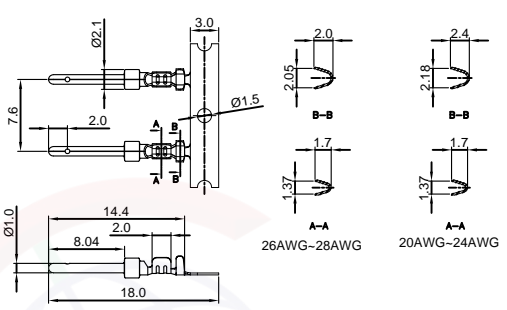
# Male



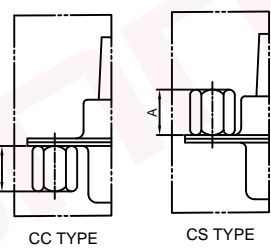
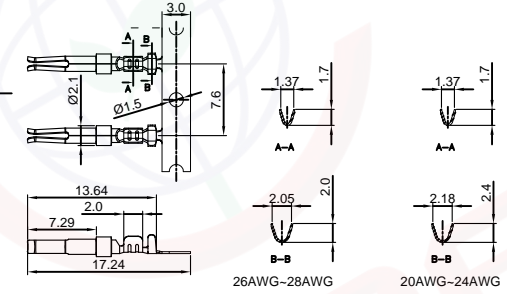
# Female



## Male terminal



## Female terminal



Position	A	B	C	
			Male	Female
9P	30.80	24.99	17.90	16.33
15P	39.14	33.32	26.50	24.66
25P	53.04	47.04	40.00	38.38
37P	69.32	63.50	56.50	54.84



(Series Image-Reference Only)

REV.	DESCRIPTION	DRAWN	CHECKED	APPROVED
A	NEW RELEASE	YCH 07/07/07'		LJC 07/07/07'
B	DRAWING UPDATE	YCH 05/21/08'		LJC 05/21/08'
C	DRAWING UPDATE	JLZ 09/05/19'		

### NOTES:

- Electrical characteristics:
  - Contact resistance: 20mΩ Max.Initial.
  - Dielectric withstanding voltage: 500V AC(rms) for 1 minute.
  - Insulation resistance: 1000MΩ Min.
- Mechanical characteristics:
  - Durability: 300 cycles.
- Environment characteristics:
  - Operating temperature: -40°C~+105°C.
- Application wire awg: #20-28.
- Product number code:

Body: DS1036-01 - XX X X X X X

- Screw DIM. A  
S: Standard(W/O nut)  
1: 3.00 2: 4.00 3: 4.50 4: 5.00  
5: 5.50 6: 5.80
- Screw type  
S: Standard(W/O nut)  
1: CC type 2: CS type
- Shell plating  
N: Formt shell nickel, back shell tin
- Housing color  
U: Blue B: Black
- Connector type  
M: Male F: Female
- No. of contacts  
09: 9pos 15: 15pos  
25: 25pos 37: 37pos

Terminal: T - DS1036-01 - X C X 0 0 - X

- Application wire awg  
#24-20: 20AWG-24AWG  
N/A Code: 26AWG-28AWG
- Plating type  
0: Selective gold flash  
6: Full tin  
8: Full gold flash
- Terminal type  
P: Male Terminal S: Female Terminal

GENERAL TOLERANCE		ANGLE TOLERANCE		PROJECTION	TITLE
X.	±0.60	X.	±5°		D-SUB CRIMP TYPE
.X	±0.38	.X	±3°	mm	
.XX	±0.25	.XX	±2°	A4	SERIES DS1036-01 SERIES
DRAWING TYPE		CUSTOMER		<b>晨翔电子有限公司</b> CONNPLY ELECTRONIC CO., LTD	
SCALE		1:1 SHEET 1 OF 1			
DRAWING NO.		C-DS1036-01-XXXXXX-C			