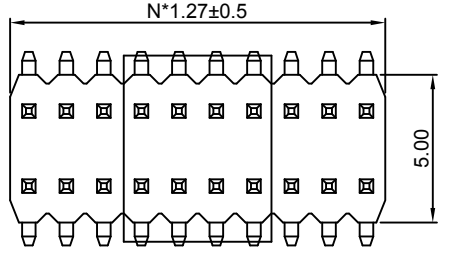
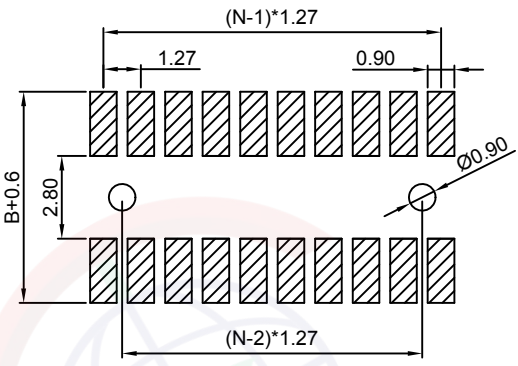


Dept	Qty
DC	1
ED	1
IE	1
ISO	1
PD	1
R&D	1
SD	1
QA	1
QC	1
QF	1

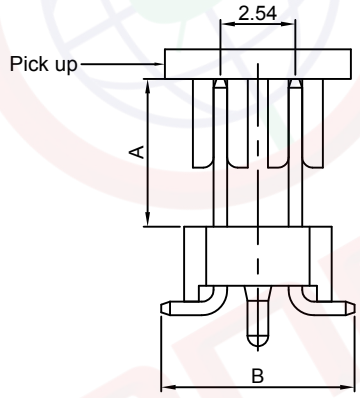
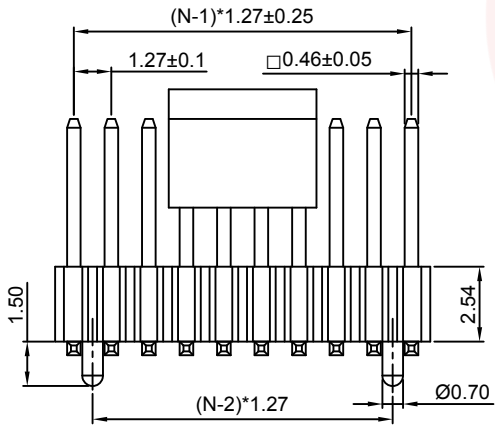
The information provided herein is from CONNELY Electronic Co., Ltd. and is confidential. Any disclosure to a party other than the recipient is prohibited. The intellectual properties and its rights contained herein, including but not limited to, trademarks, patents, copyrights, trade secrets, and technical know-how, are owned exclusively by CONNELY or its affiliates. Unauthorized use or reproduction of any part of this document is strictly prohibited. CONNELY may enforce its intellectual property rights at its own discretion, failures or delays to exercise such rights does not constitute a waiver of such rights.



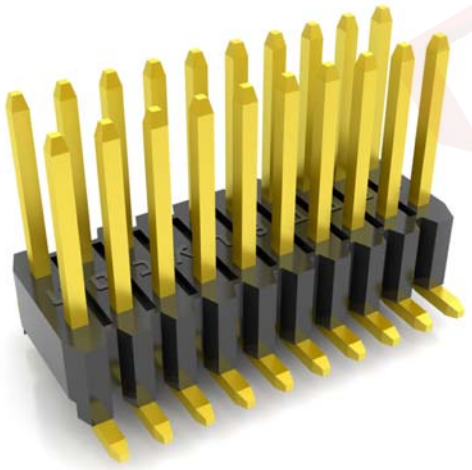
No. of contacts/2



Recommend PCB layout(Tolerance:±0.05)



Type	DIM A	DIM B
1	5.00	6.55



(Series Image-Reference Only)

REV.	DESCRIPTION	DRAWN	CHECKED	APPROVED
A	NEW RELEASE	YCH 04/28/11'		LJC 04/28/11'
B	P/N CODE ARRANGE	JLZ 09/05/15'		LJC 09/05/15'
C	DRAWING UPDATE	JLZ 08/24/20'		
D	DRAWING UPDATE	JLZ 06/14/23'		

Notes:

Specifications:

1. Contact Resistance: 30mΩ Max.
2. Insulation Resistance: 1000MΩ Min.
3. Dielectric Withstanding Voltage: 300V AC(rms) For 1 Minute.
4. Current Rating:1A.
5. Temperature: -40°C~+105°C.

Materials:

1. Contact Material: Copper Alloy.
2. Contact Plating: Gold Plating Over Nickel.
3. Insulator Material: High temp,Black,UL94-V0.

Product Number Code:

DS1031-31 - X X X X X X X X - X

- Plating level
3A:Level 3A
- DIM.A B type
1:Type 1
or A*.*-B*.*
- Pick up support
S:W/ Pick up
X:W/O Pick up
- Packing type
B:Tube
R:Tape on reel
- Post support
S:W/ Post
X:W/O Post
- Housing color
B:Black
- Contact plating
8: Full gold flash
- Connector type
P:Plug
- No. of contacts
2x2-2x40

GENERAL TOLERANCE		ANGLE TOLERANCE		PROJECTION		TITLE
X.	±0.60	X.	±5°	UNITS	mm	1.27*2.54mm Pin Header Double Row SMT Type
.X	±0.38	.X	±3°	SHEET SIZE	A4	SERIES DS1031-31 SERIES
.XX	±0.25	.XX	±2°	晨翔电子有限公司 CONNFLY CONNELY ELECTRONIC CO. LTD		
DRAWING TYPE		CUSTOMER				
SCALE		1:1 SHEET 1 OF 1				
DRAWING NO.		C-DS1031-31-XXXXXX-X-D				